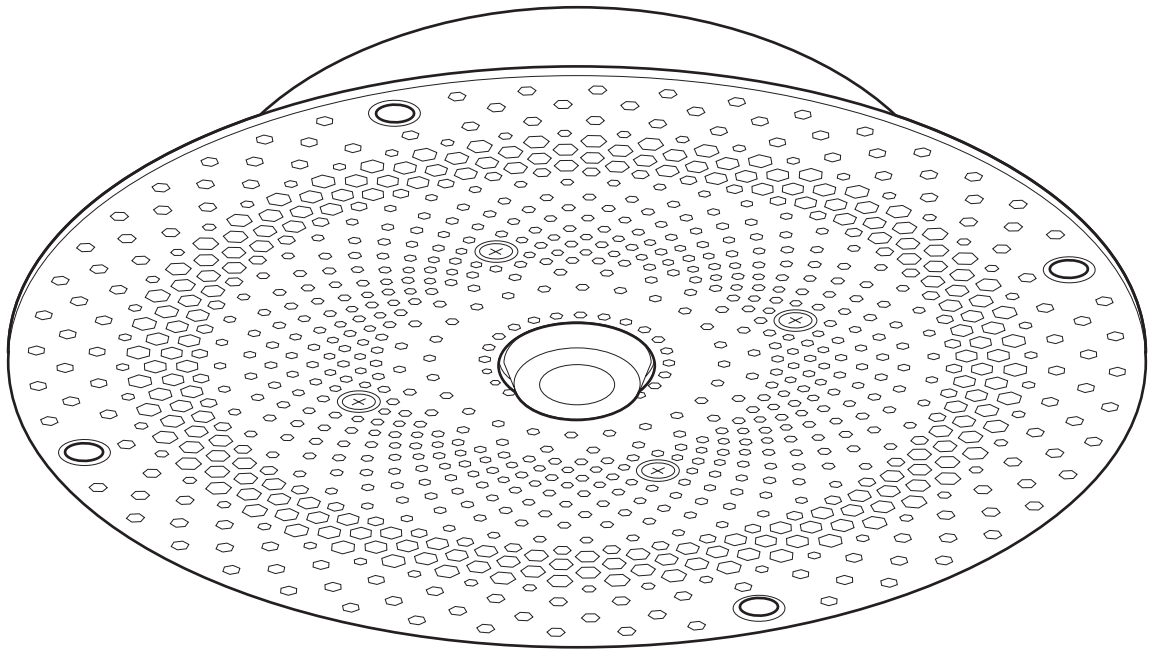




## 1/2" TRIMLESS LED DOWNLIGHT INSTALLATION GUIDE



Scan code to view  
installation video



### **WARNING: RISK OF ELECTRIC SHOCK**

- Before installation or servicing **DISCONNECT POWER BY TURNING OFF THE CIRCUIT** breakers both to the outlet box and to its associated wall switch.
- Installation and service of luminaires should be performed by a qualified licensed electrician in accordance with all local and National Electrical Codes.
- **DO NOT** install damaged product.
- Verify that supply voltage is correct by comparing it with the luminaire label information.
- All wiring connections should be capped with UL approved recognized wire connectors.



### **WARNING: RISK OF FIRE**

- **DO NOT** separate any other wires that may be in the box.
- **DO NOT** damage the insulation of older wiring.
- In regular circumstances the **BLACK** wire will be the “Hot” lead and the **WHITE** wire will be the “Neutral” or “Common” lead. A **GREEN** or **BARE COPPER** wire is “Ground”.
- In older buildings, it is always good practice to reconfirm the polarity of the wiring.



### **WARNING: RISK OF PRODUCT DAMAGE**

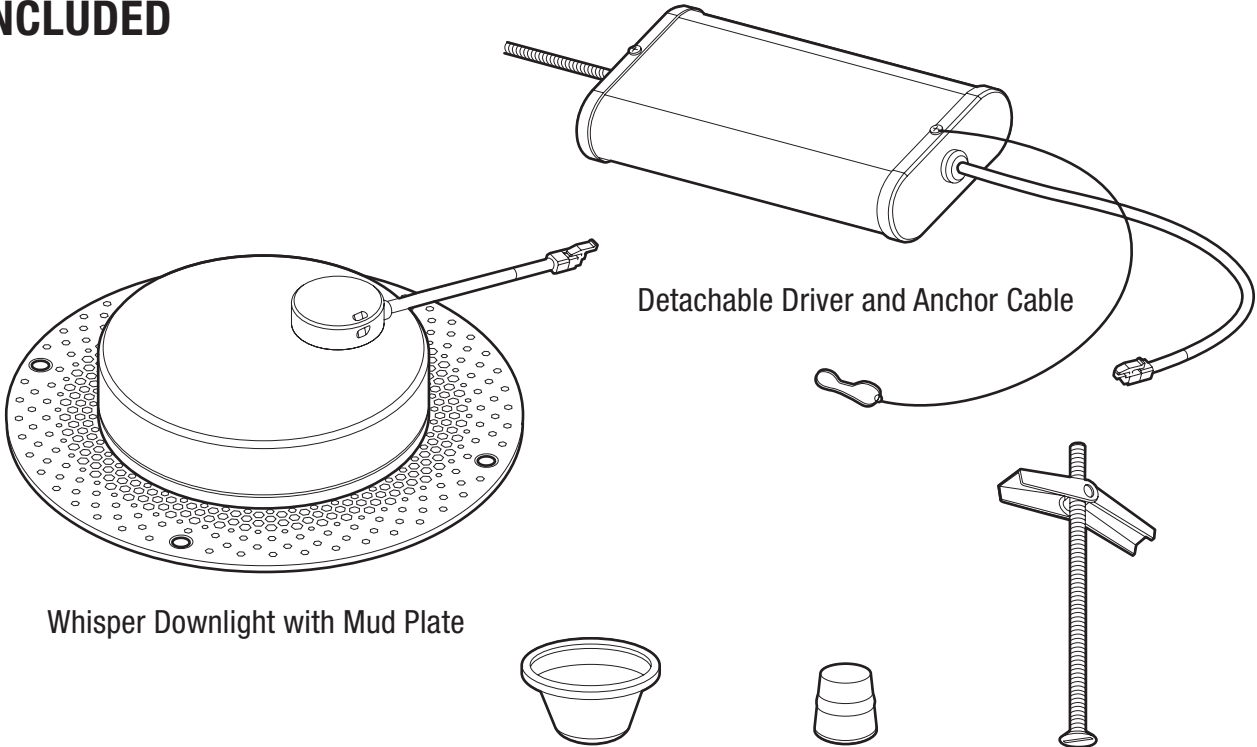
- Never connect components under load.
- Do not touch the yellow surface of the LED as it may damage the light engine.



### **WARNINGS: RISK OF INJURY**

- Allow luminaire to cool before servicing. Follow all manufacturer’s warning and restrictions for driver type, mounting locations, replacement and recycling.
- Wear safety glasses and gloves when installing, maintaining or servicing.
- Avoid direct eye exposure to the light source while it is on.

## **INCLUDED**



Whisper Downlight with Mud Plate

Detachable Driver and Anchor Cable

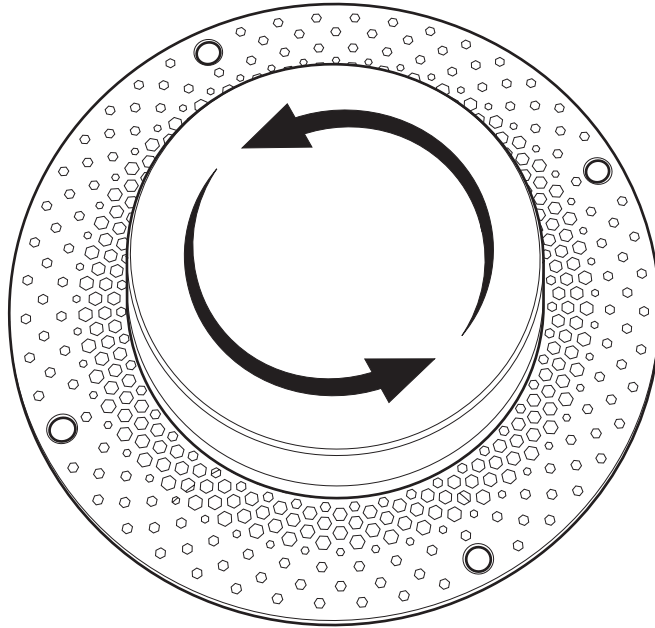
SilentVu™ Optic Lens

Masking Plug

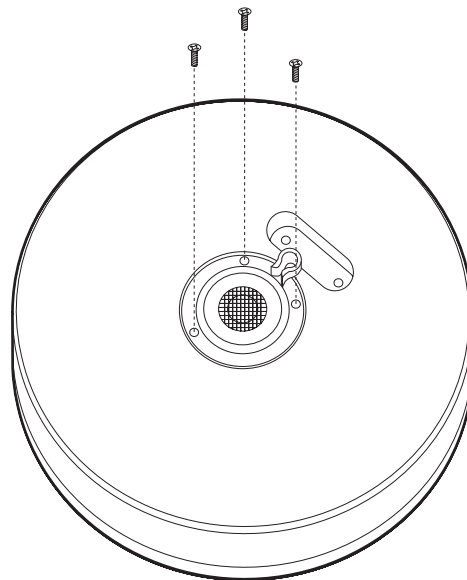
Toggle Bolts (4)

# CHANGING SILENTVU™ OPTIC LENS (Before or After Installation)

1. Rotate back of fixture counter-clockwise until it comes off.

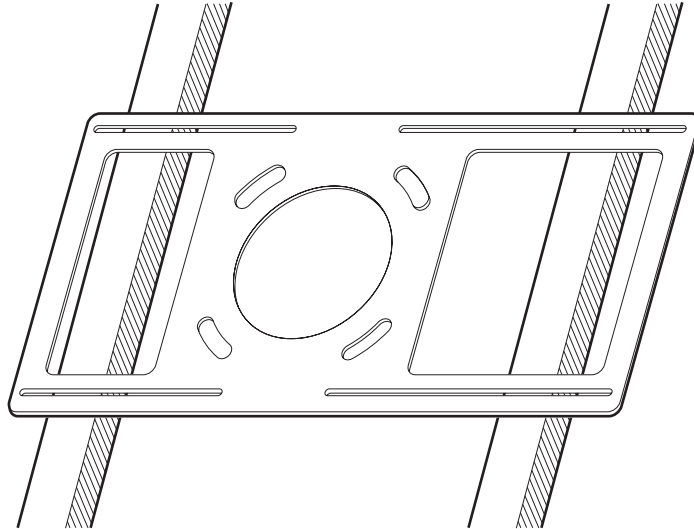


2. Remove these 3 screws and optic lens. Replace lens and screws then re-attach fixture.

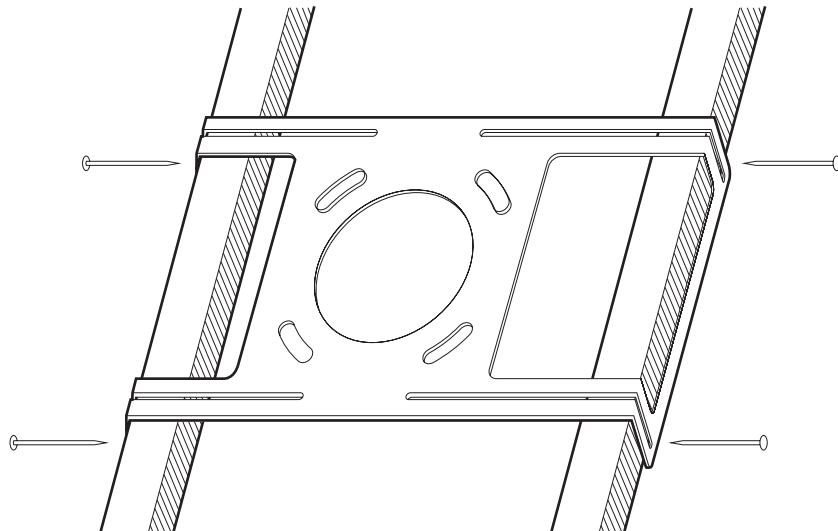


## INSTALLATION USING ROUGH-IN PLATE (Not Included, Sold Separately)

1. Lay rough-in plate horizontally across 2 beams, keeping hole in the center.

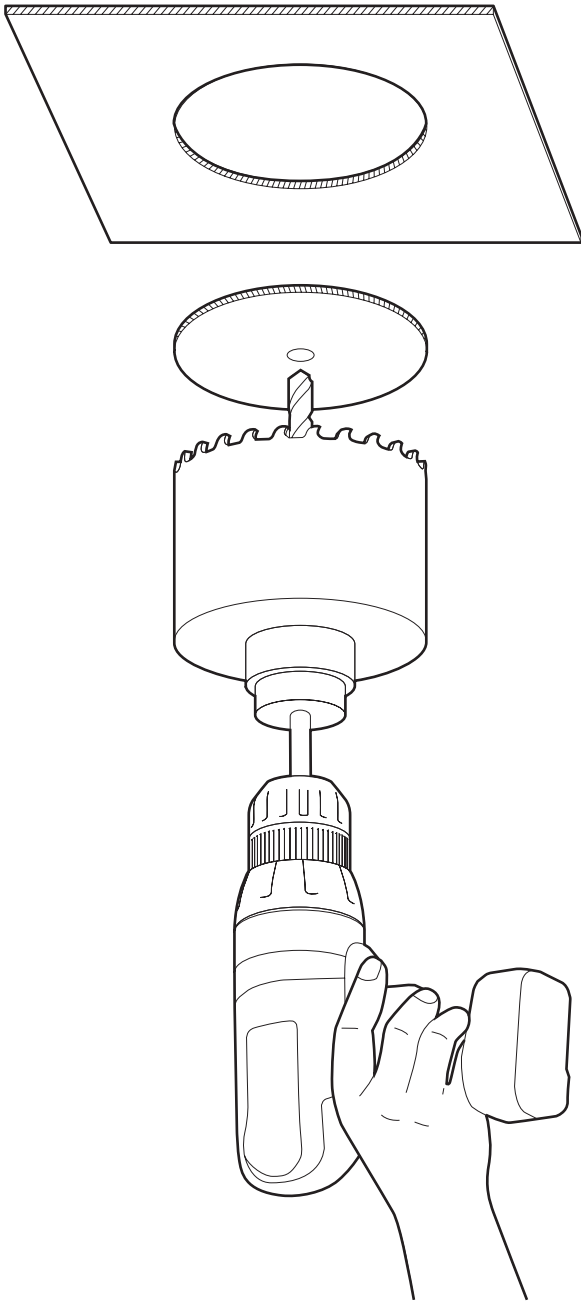


2. Fold edges around the beam and attach with nails through sides. Then, proceed with the fixture installation **Step-1**.



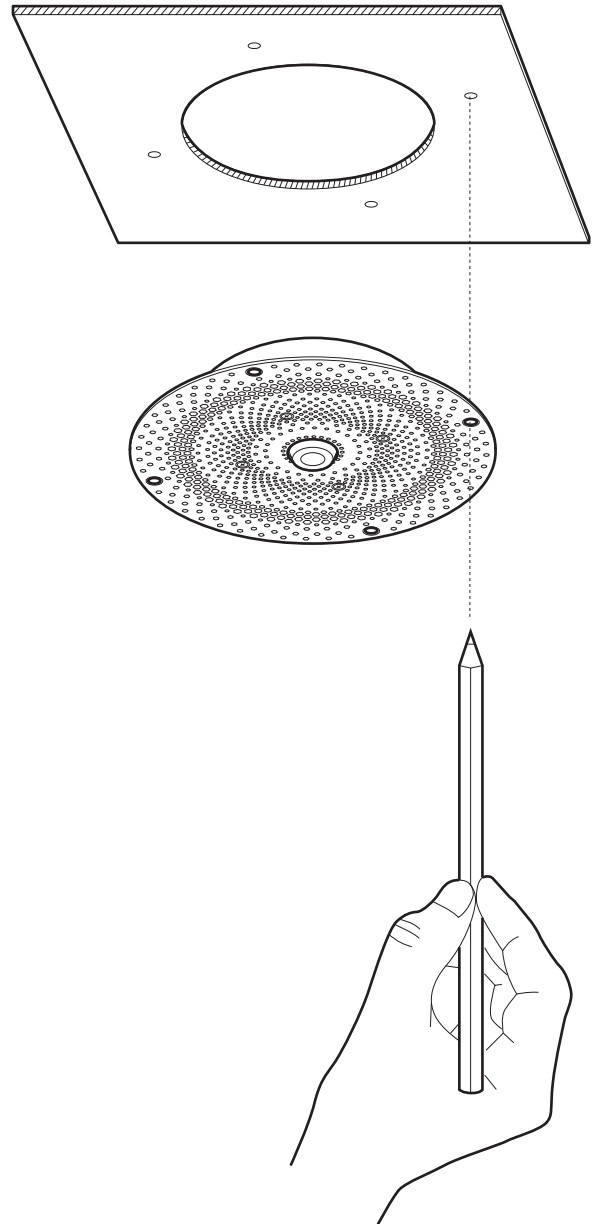
## STEP-1

Use hole saw or speed router with rough in plate to cut 5½" hole.



## STEP-2

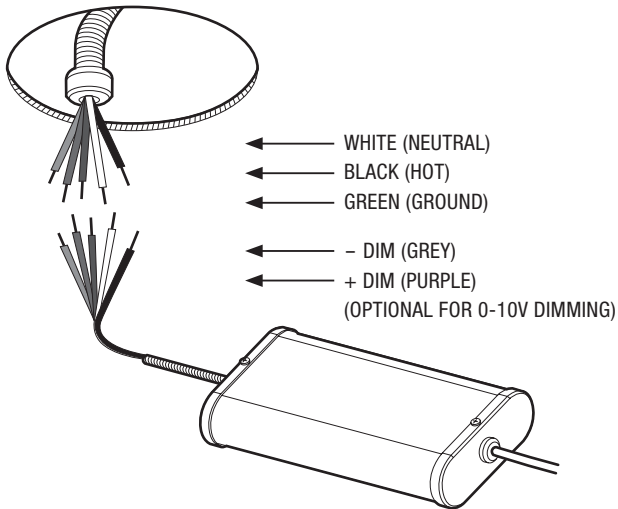
Using the mud plate for reference, mark hole positions in ceiling for toggle bolts (4). Using a ½" drill bit drill through the ceiling on the pre-marked hole centers.



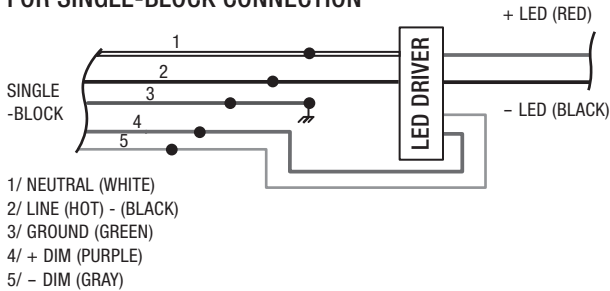
# STEP-3

Connect supply wires to power supply unit as indicated in wiring diagram.

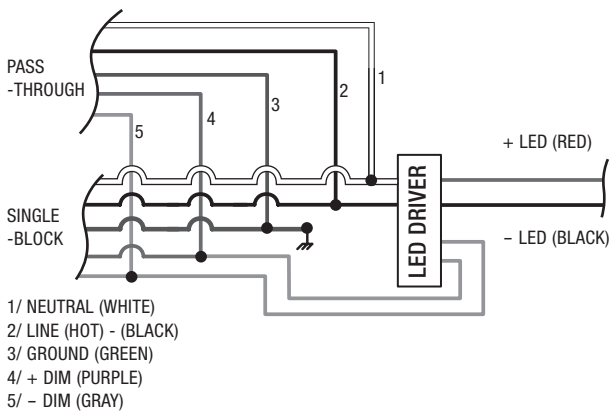
## INTEGRAL POWER SUPPLY



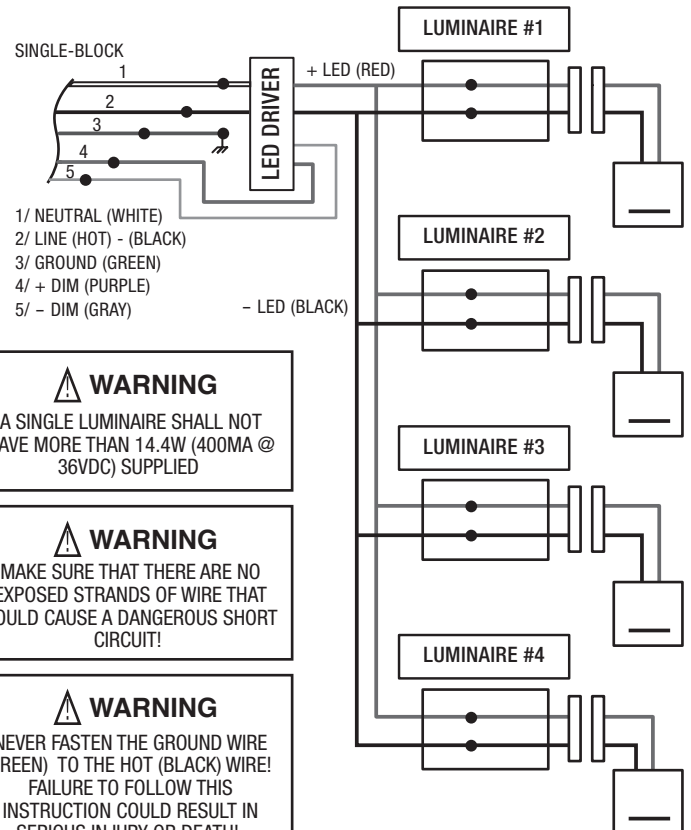
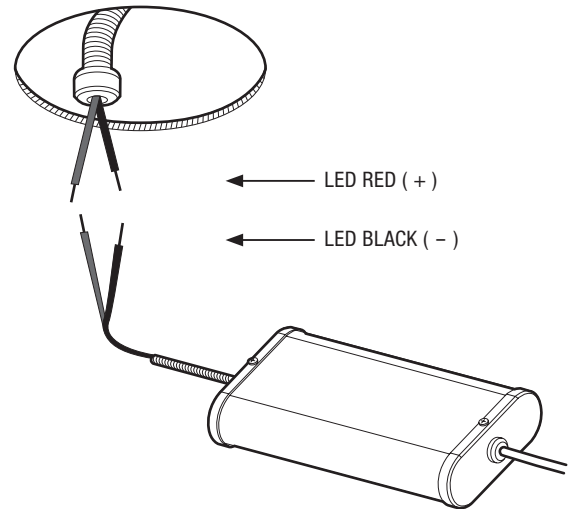
### FOR SINGLE-BLOCK CONNECTION



### FOR PASS-THROUGH CONNECTION



## REMOTE POWER SUPPLY



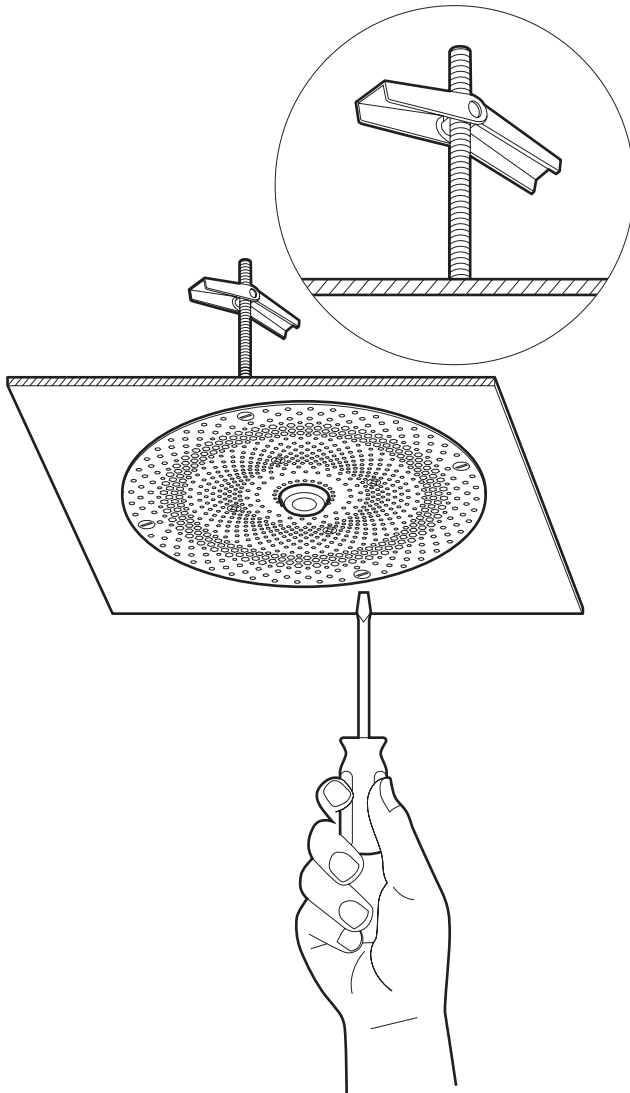
**⚠ WARNING**  
 A SINGLE LUMINAIRE SHALL NOT HAVE MORE THAN 14.4W (400MA @ 36VDC) SUPPLIED

**⚠ WARNING**  
 MAKE SURE THAT THERE ARE NO EXPOSED STRANDS OF WIRE THAT COULD CAUSE A DANGEROUS SHORT CIRCUIT!

**⚠ WARNING**  
 NEVER FASTEN THE GROUND WIRE (GREEN) TO THE HOT (BLACK) WIRE!  
 FAILURE TO FOLLOW THIS INSTRUCTION COULD RESULT IN SERIOUS INJURY OR DEATH!

## STEP-4

Attach fixture and mud plate to ceiling using 4 toggle bolts. Make sure there is adequate room for bolts to function with ceiling thickness.

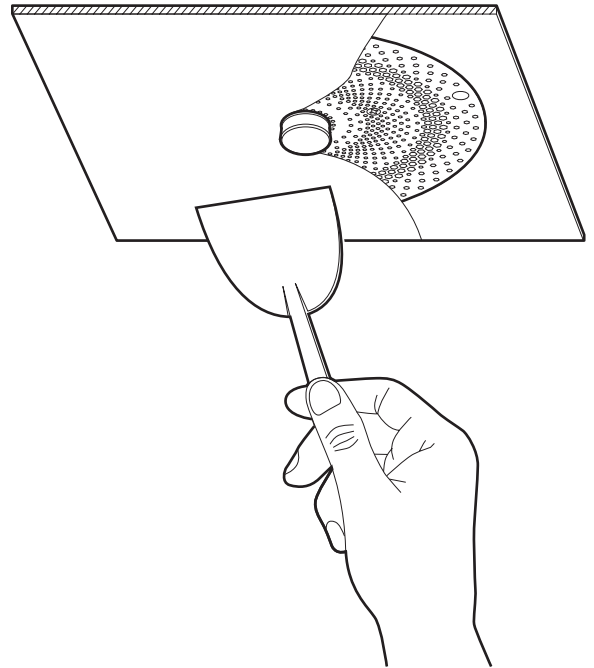


### IMPORTANT

Before continuing, turn on the power and test the lights to verify proper wiring and functionality. Then, disconnect the power and continue to **STEP-5**.

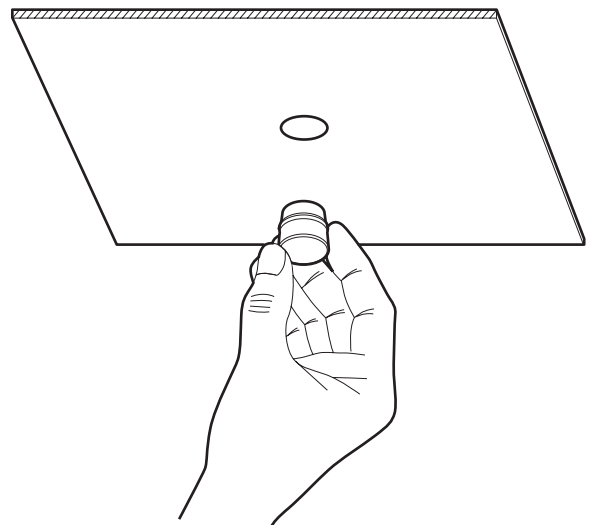
## STEP-5

Use drywall mud and putty knife to cover mud plate. Finish and paint ceiling to desired color.



## STEP-6

Remove protective cap from lens.



Subject to change without notice.  
For warranty information or other inquiries,  
please visit [www.csllighting.com](http://www.csllighting.com)  
or Call (626) 336-4511



**CREATIVE SYSTEMS LIGHTING**

A Division of Troy-CSL Lighting, INC.

14508 Nelson Ave. City of Industry, CA 91744 • Tel: 626.336.4511 • Fax: 626.330.4266

Copyright © 2020 All rights reserved.