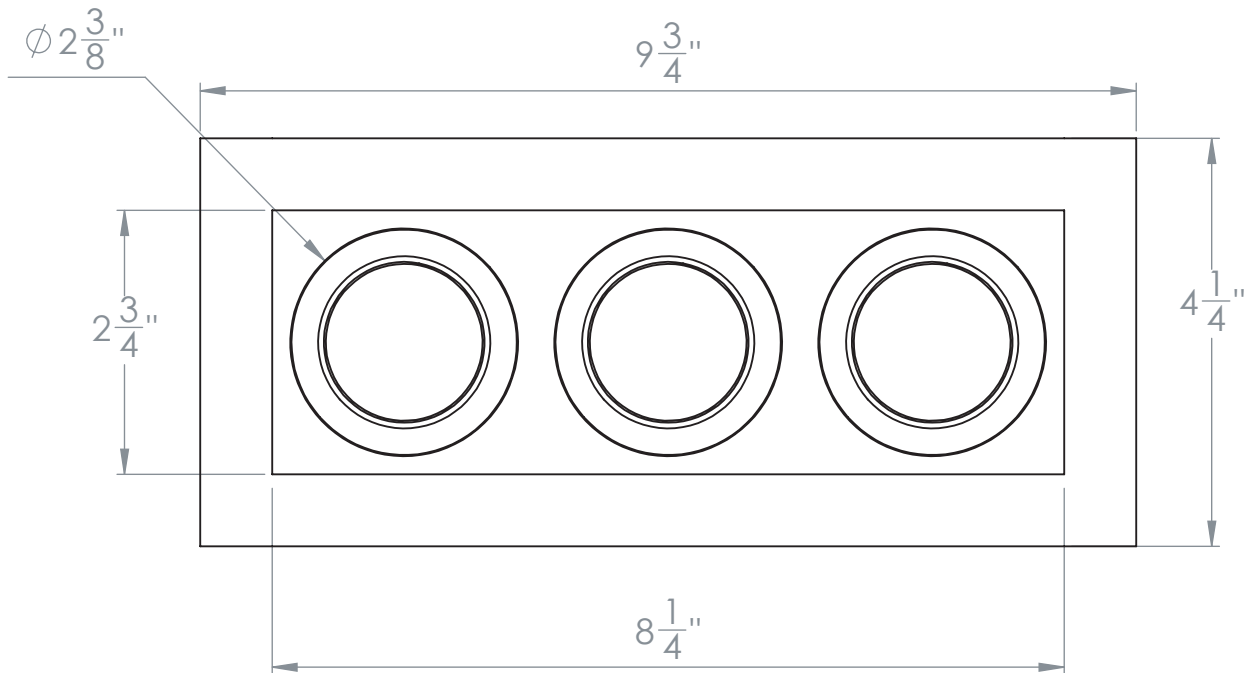
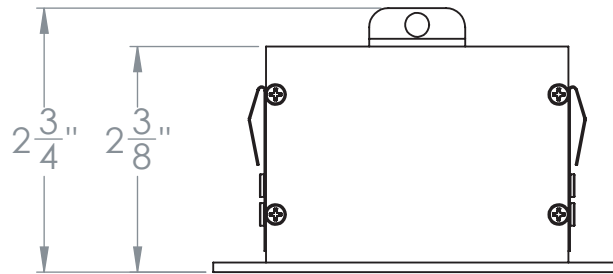


2.75" Gyro Shift Multiple 3 Head Trim

S2-3L

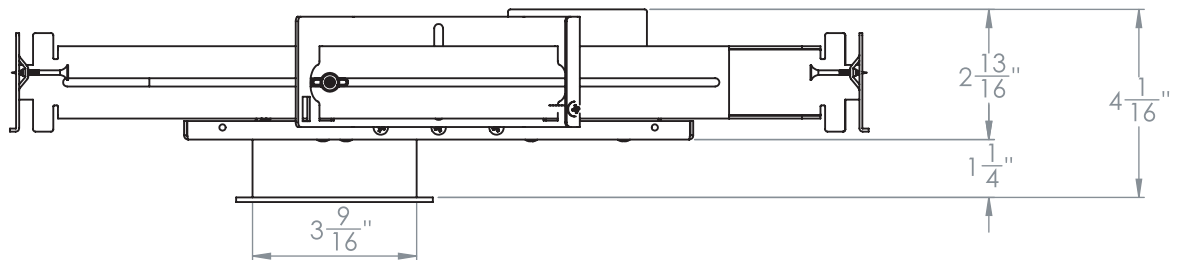
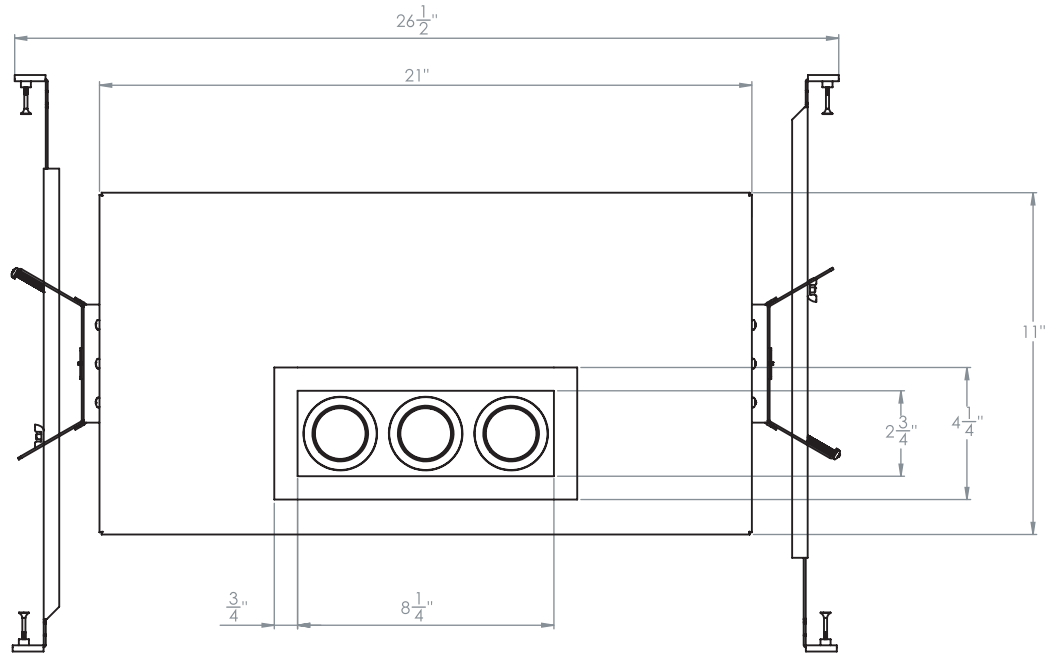


Revised 09/18/18

2.75" Gyro Shift Multiple 3 Head Trim

Non-IC Adjustable New Construction Housing

S2F-3LRN



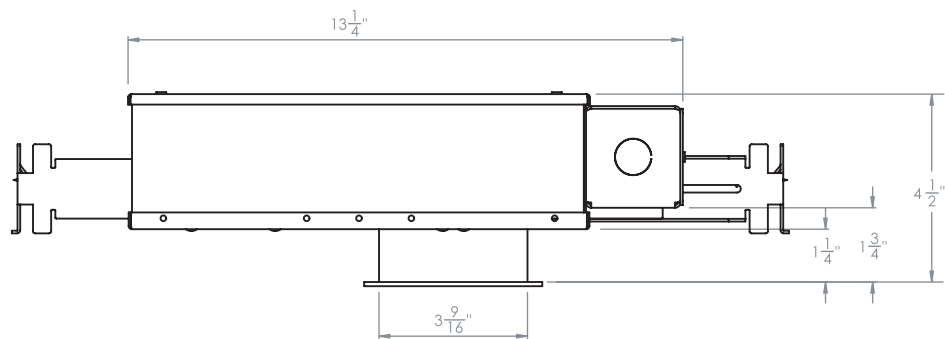
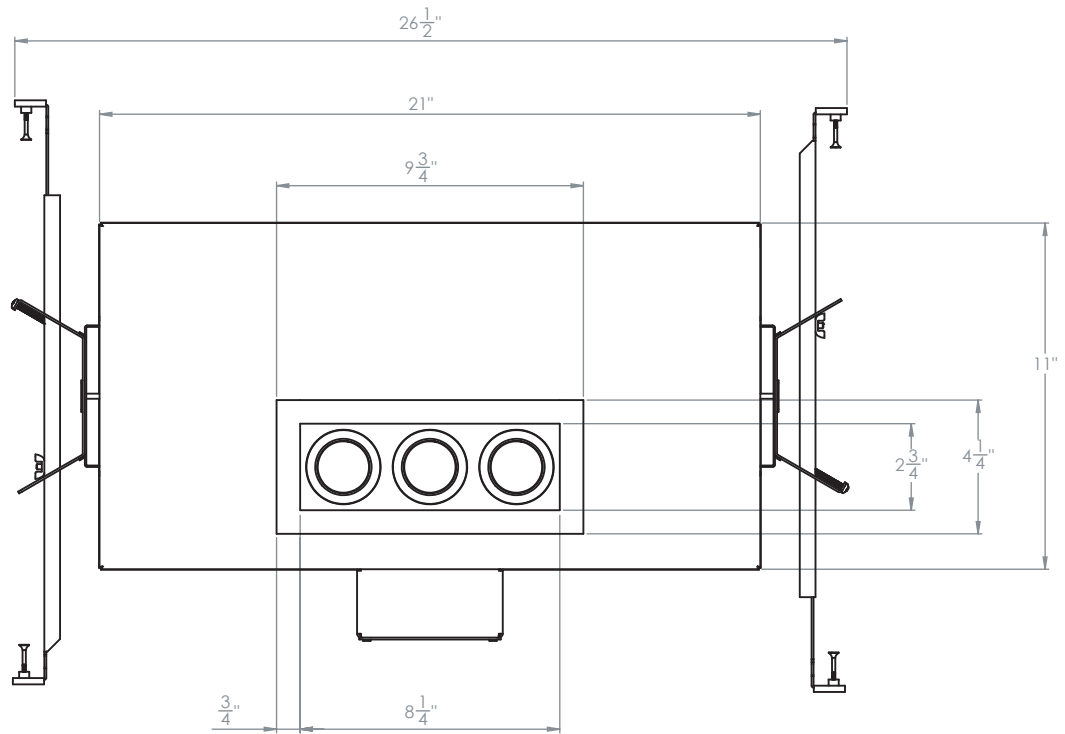
Ceiling Cut-out: $3\frac{5}{8}" \times 9\frac{1}{8}"$

Revised 09/18/18

2.75" Gyro Shift Multiple 3 Head Trim

IC Air-Tight Adjustable New Construction Housing

S2F-3LRI



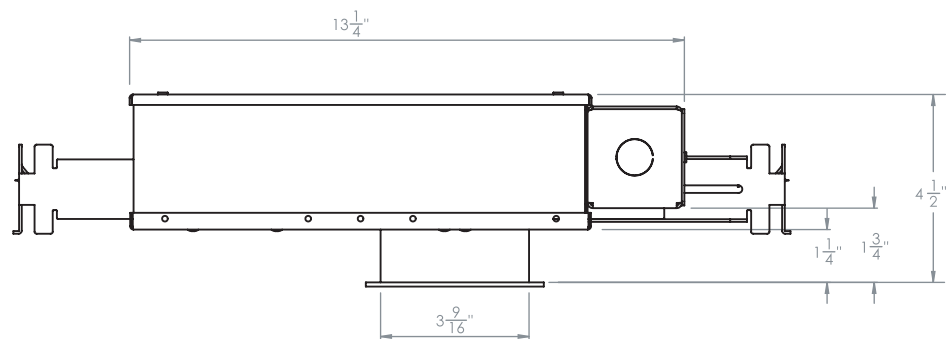
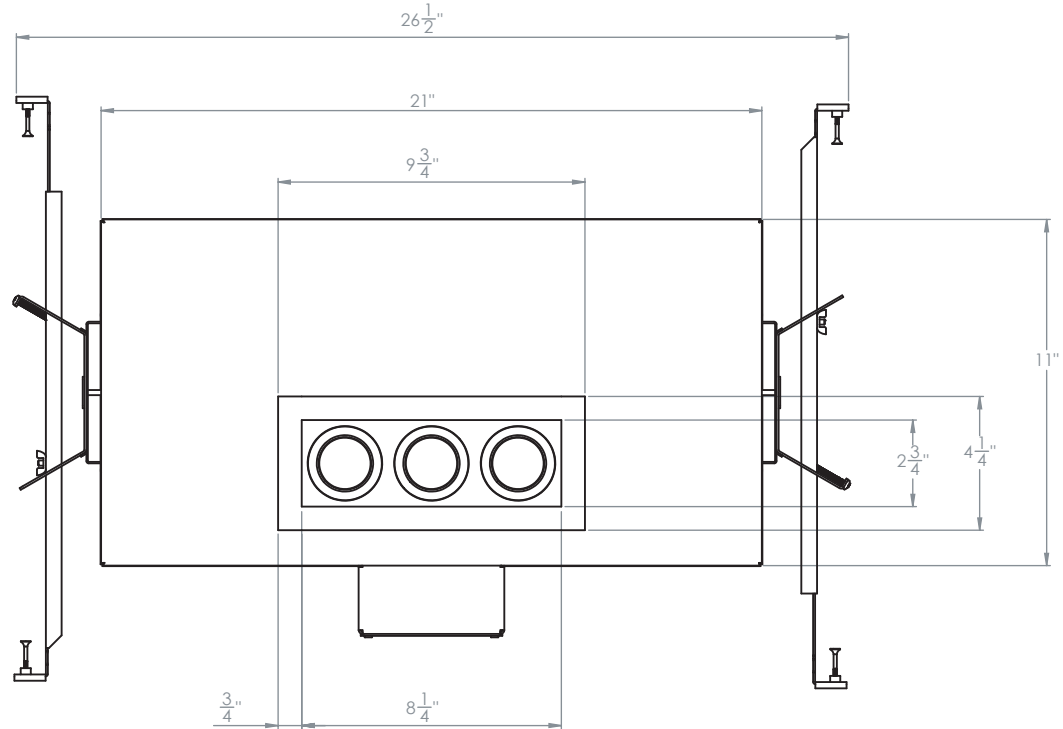
Ceiling Cut-out: $3\frac{5}{8}" \times 9\frac{1}{8}"$

Revised 09/18/18

2.75" Gyro Shift Multiple 3 Head Trim

Chicago Rated Adjustable New Construction Housing

S2F-3LRC



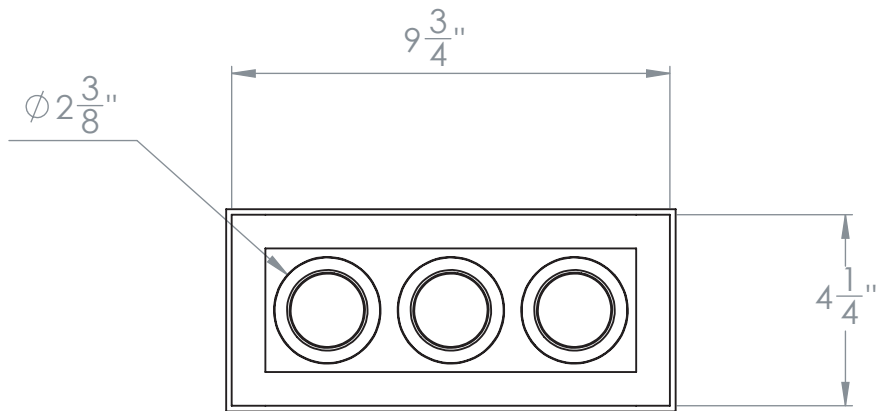
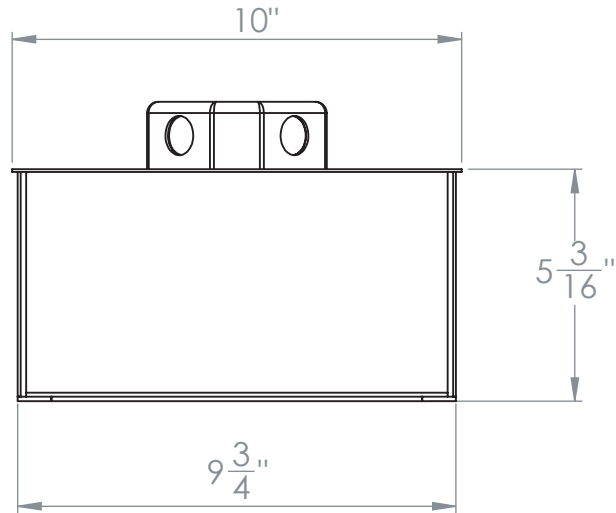
Ceiling Cut-out: $3\frac{5}{8}" \times 9\frac{1}{8}"$

Revised 09/18/18

2.75" Gyro Shift Multiple 3 Head

Flush Mount Adjustable Architectural Housing

S2FA-3LFL

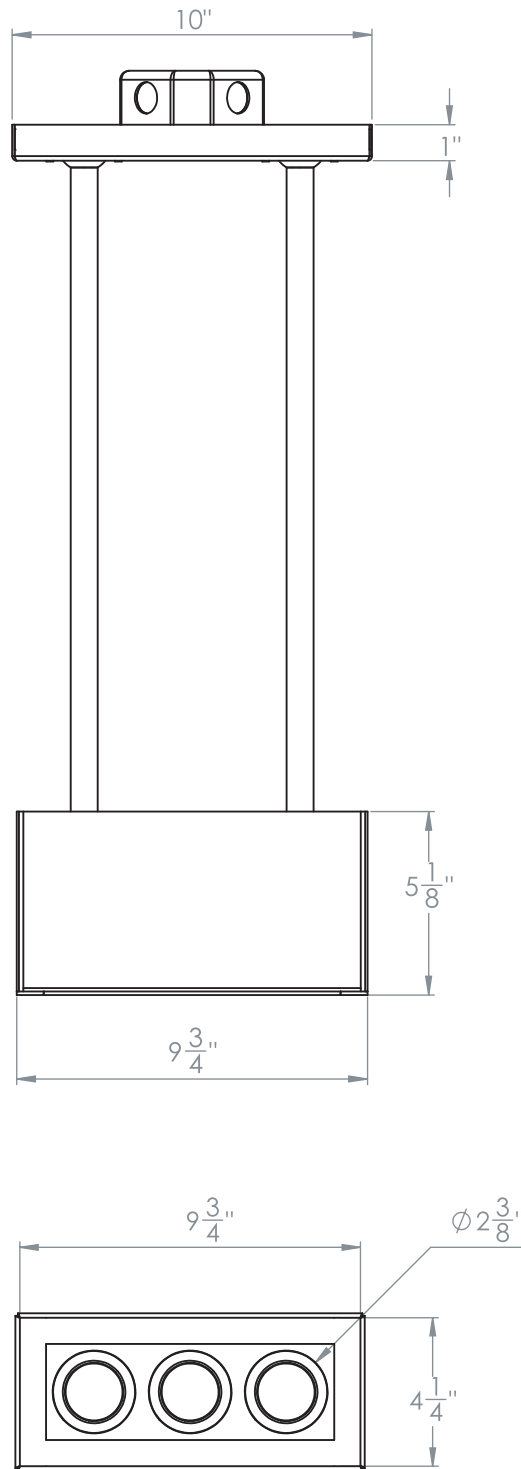


Revised 09/18/18

2.75" Gyro Shift Multiple 3 Head

Suspended Stem Adjustable Architectural Housing

S2FA-3LSS

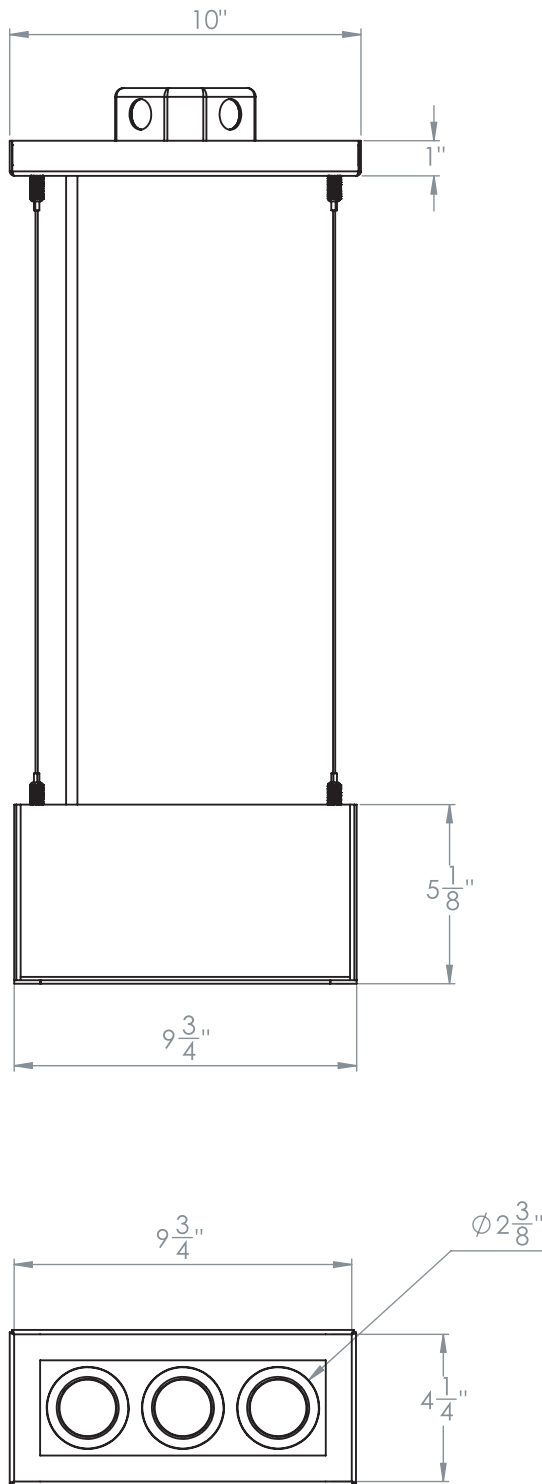


Revised 09/18/18

2.75" Gyro Shift Multiple 3 Head

Suspended Aircraft Adjustable Architectural Housing

S2FA-3LSA



Revised 09/18/18