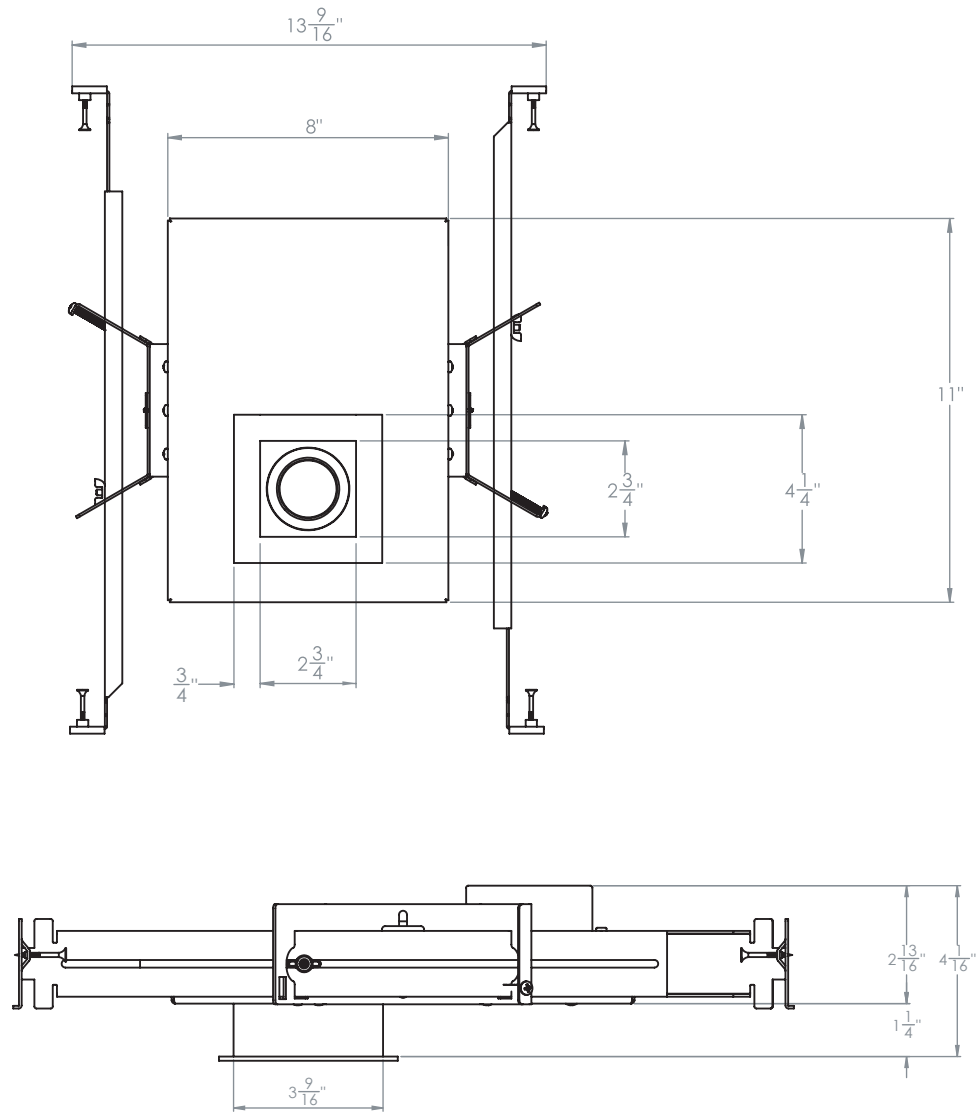


2.75" Gyro Shift Multiple 1 Head Trim

Non-IC Adjustable New Construction Housing

S2F-1LRN



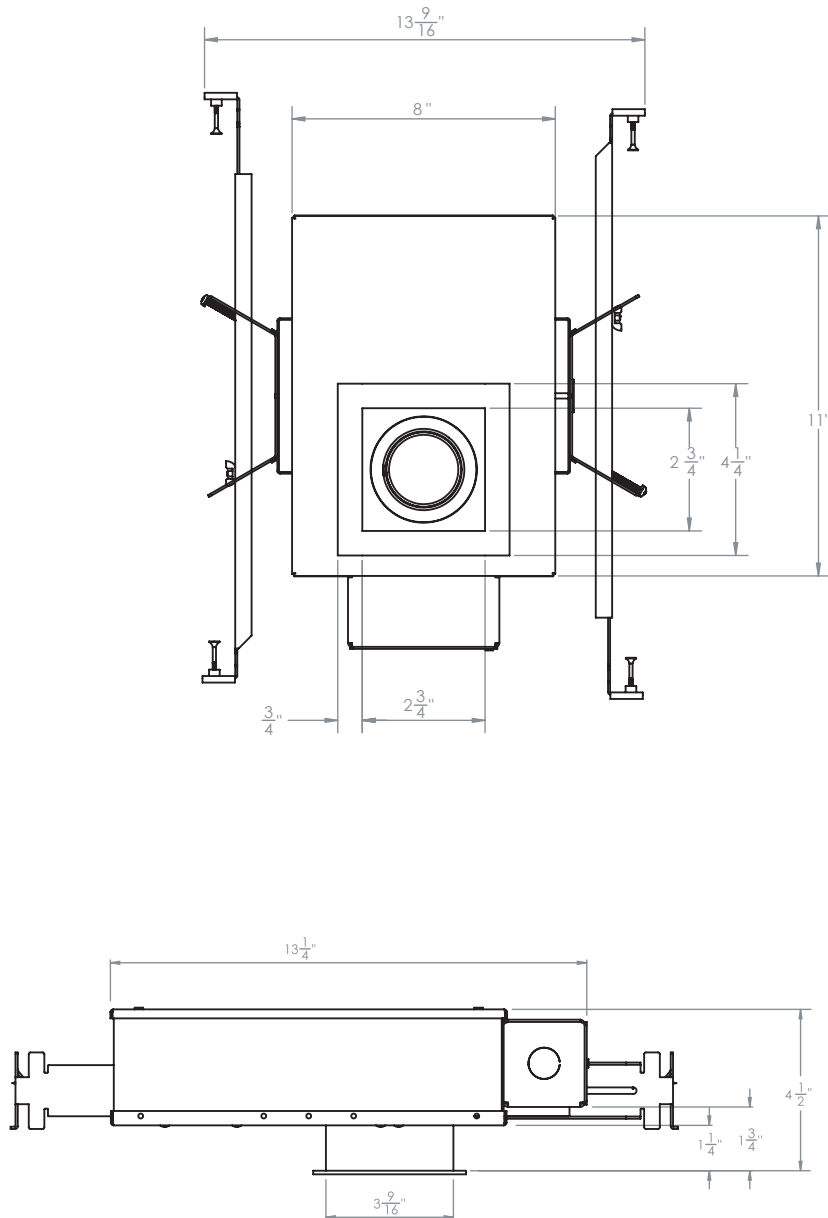
Ceiling Cut-out: $3\frac{5}{8}$ " \times $3\frac{5}{8}$ "

Revised 09/18/18

2.75" Gyro Shift Multiple 1 Head Trim

IC Air-Tight Adjustable New Construction Housing

S2F-1LRI



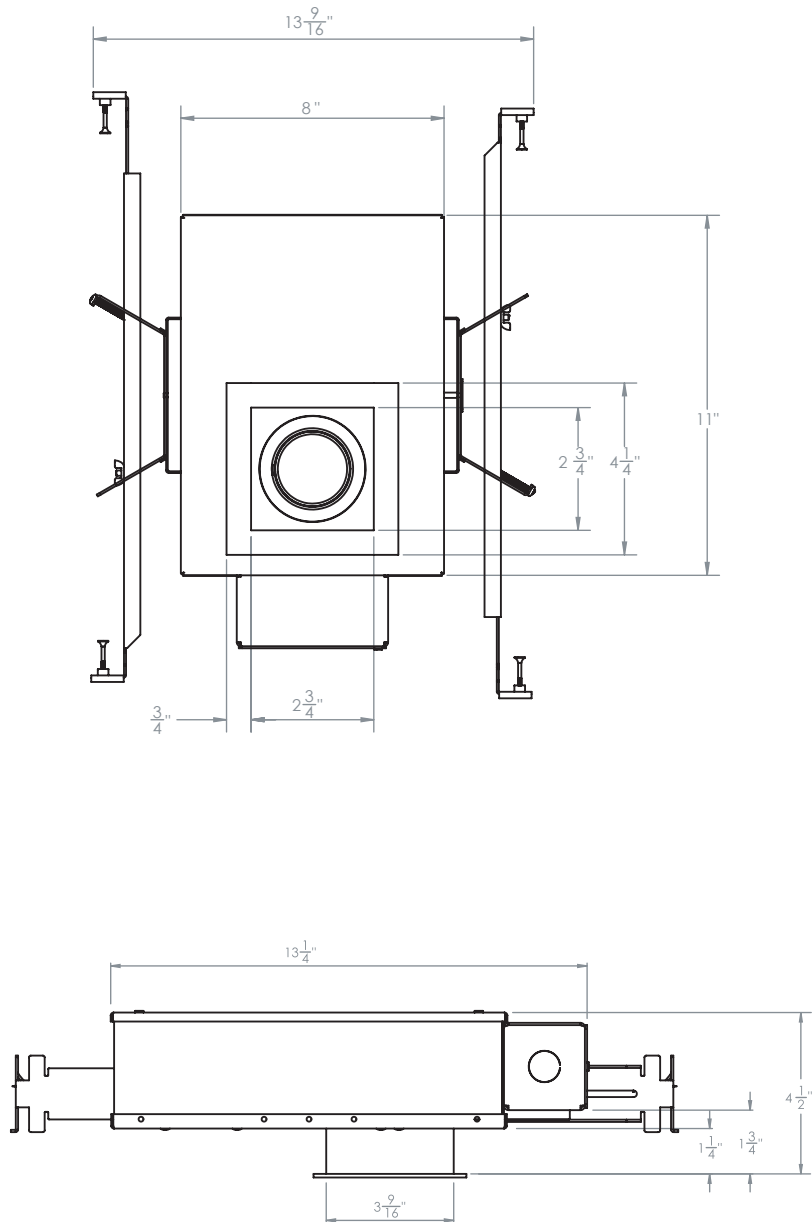
Ceiling Cut-out: $3\frac{5}{8}$ " \times $3\frac{5}{8}$ "

Revised 09/18/18

2.75" Gyro Shift Multiple 1 Head Trim

Chicago Rated Adjustable New Construction Housing

S2F-1LRC



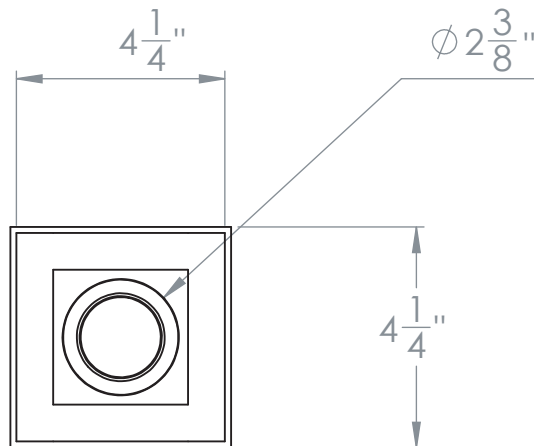
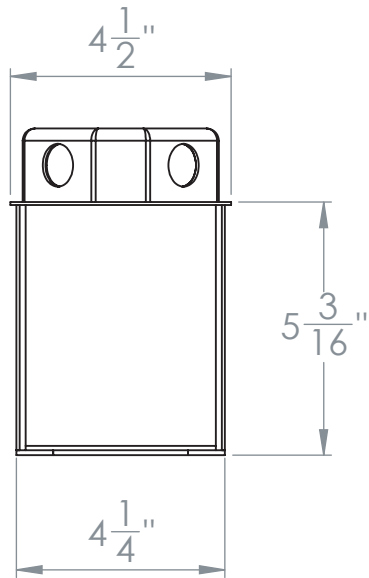
Ceiling Cut-out: $3\frac{5}{8}$ " \times $3\frac{5}{8}$ "

Revised 09/18/18

2.75" Gyro Shift Multiple 1 Head

Flush Mount Adjustable Architectural Housing

S2FA-1LFL

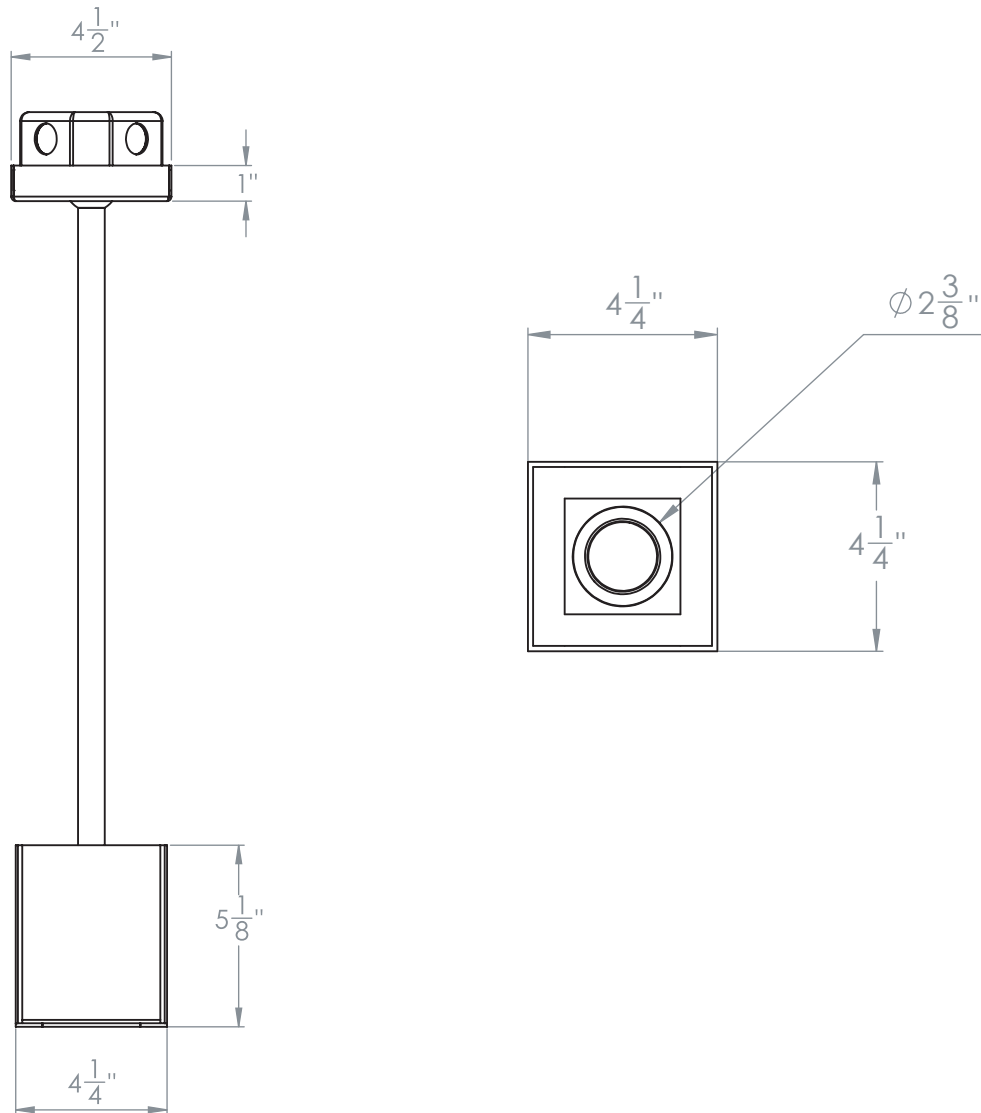


Revised 09/18/18

2.75" Gyro Shift Multiple 1 Head

Suspended Stem Adjustable Architectural Housing

S2FA-1LSS

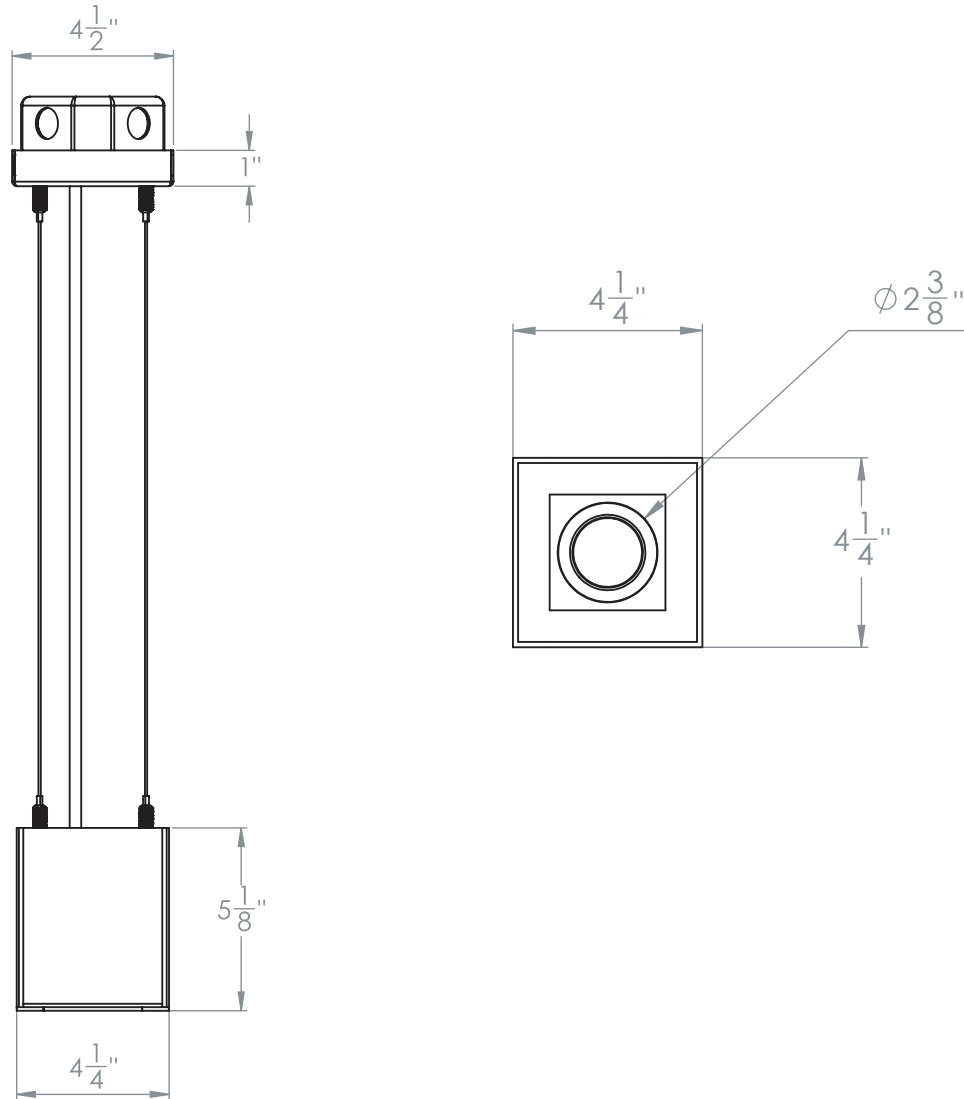


Revised 09/18/18

2.75" Gyro Shift Multiple 1 Head

Suspended Aircraft Adjustable Architectural Housing

S2FA-1LSA



Revised 09/18/18