

# 3" Wall Mount Cylinder

## 25W LED Up or Downlight (Round or Square)

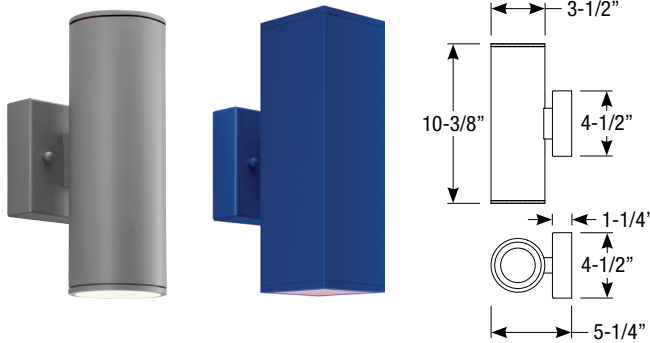
Catalog #:

Type:

Project:

Date:

Notes:



### STANDARD FINISHES

 <b>ABL</b> (Aegean Blue)	 <b>PNC</b> (Painted Natural Copper)
 <b>BB</b> (Burnished Bronze)	 <b>RD</b> (Red)
 <b>BK</b> (Gloss Black)	 <b>SGR</b> (Sage Green)
 <b>BLU</b> (Blue)	 <b>SND</b> (Sand)
 <b>DVG</b> (Dove Gray)	 <b>SS</b> (Satin Silver)
 <b>FLG</b> (Flannel Gray)	 <b>TBZ</b> (Textured Bronze)
 <b>GA</b> (Galvanized)	 <b>TGP</b> (Textured Graphite)
 <b>GWT</b> (Gloss White)	 <b>TNG</b> (Tangerine)
 <b>LG</b> (Lime Green)	 <b>TTL</b> (Tahitian Teal)
 <b>MB</b> (Matte Black)	 <b>WT</b> (Semi Gloss White)
 <b>MBL</b> (Midnight Blue)	 <b>YEL</b> (Yellow)
 <b>PNA</b> (Painted Natural Aluminum)	

### Electrical Data (In one direction)

CCT	CRI	Wattage	Delivered Lumens	Efficacy
2700K	90 CRI	25W	1716lm	69lpw
3000K	90 CRI	25W	1838lm	74lpw
3500K	90 CRI	25W	1975lm	79lpw
4000K	90 CRI	25W	2107lm	84lpw

### Multiplier for Delivered Lumens

Wattage	10	15	20	25
Multiplier	0.45	0.69	0.83	1

### Specifications

#### Field Replaceable LED Light Engine

- LED with 2 SDCM binning
- 2700K, 3000K, 3500K and 4000K at 90 CRI
- 10°, 30°, 50° and 80° optics

#### Finishes

Available in 22 standard finishes with optional coastal coating to protect finish in coastal environments.

#### Listing / Warranty

- Five (5) year limited warranty
- UL listed to US and Canadian standards for damp locations
- Round housings rated for Wet Location when ordered with the WL canopy option and Standard ERP driver.

#### Field Replaceable Dimming Driver

- Multiple dimming drivers available
- Power factor > 0.9, 50/60Hz

#### Downlight Cylinder

- Utilizes one LED to illuminate in one direction

#### Mounting

Square 4-1/2" x 1-1/4" canopy included with standard universal dim driver.  
 (7-1/2" x 6" x 1-1/4" canopy included with Lutron and eldoLED drivers)



JAB TITLE 24 COMPLIANT

### Order Matrix

3" Wall Mount Cylinder (Example: LWU3-10-35-10-BK-5-S)

Series	Wattage	CCT / CRI	Optic	Finish	Coastal Coating	Rev	Driver	Canopy
Round LWU3 (Up) LWD3 (Down)	-10 -15 -20 -25	-27 (2700K / 90 CRI) -30 (3000K / 90 CRI) -35 (3500K / 90 CRI) -40 (4000K / 90 CRI)	-10 -30 -50 -80	-ABL (Aegean Blue) -BB (Burnished Bronze) -BK (Gloss Black) -BLU (Blue) -DVG (Dove Gray) -FLG (Flannel Gray) -GA (Galvanized) -GWT (Gloss White) -LG (Lime Green) -MBL (Midnight Blue) -MB (Matte Black) -PNA (Painted Natural Aluminum) -PNC (Painted Natural Copper) -RD (Red) -SGR (Sage Green) -SND (Sand) -SS (Satin Silver) -TBZ (Textured Bronze) -TGP (Textured Graphite) -TNG (Tangerine) -TTL (Tahitian Teal) -WT (Semi Gloss White) -YEL (Yellow)	(blank) (No coating) -C (Coating)	-5	-S <sup>2</sup> (ERP, Universal Dim, Triac/ELV/0-10V 10% 120-277V) -L1 <sup>1</sup> (Lutron Hi-lume® 2-Wire 1% 120V) -L3 <sup>1</sup> (Lutron Hi-lume® Fade-to-Black 1% 120-277V) -EL1 <sup>1</sup> (eldoLED DALI 1% 120-277V) -EL2 <sup>1</sup> (eldoLED 0-10V 1% 120-277V) -DMX <sup>1</sup> (DMX 1% 120-277V)	(blank) (Damp Listed) -WL <sup>3</sup> (Wet Listed)
Square SLWU3 (Up) SLWD3 (Down) <small>Square Housing only for use in damp locations.</small>								

### Emergency

<b>EM-1000</b>	(25W Remote Inverter)
<b>EM-1002</b>	(10W Remote Inverter)
<b>EM-1003</b>	(35W Remote Inverter)
<b>EM-1003-CA</b>	(35W Remote Inverter) Title 20
<b>EM-1004</b>	(50W Remote Inverter)
<b>EM-1006</b>	(25W Remote Inverter) Title 20

### Optic

<b>EDL-10-OPTIC-5</b>	(10° Spot)
<b>EDL-30-OPTIC-4</b>	(30° Spot)
<b>EDL-50-OPTIC-4</b>	(50° Spot)
<b>EDL-80-OPTIC-4</b>	(80° Spot)

- Includes larger canopy
- Forward and reverse dimming at 120V only
- Wet Listed option only available for Round housings with Standard ERP driver

Spec-00232 Revised 04/06/2022

14508 Nelson Ave. City of Industry, CA 91744 • tel: 626.336.4511 • fax: 626.330.4266 • www.csllighting.com  
 ©2021 Creative Systems Lighting, A Division of Troy-CSL Lighting, Inc.  
 All rights reserved. Subject to change without notice.

