

3" Wall Mount Cylinder

25W LED Up or Downlight (Round or Square)

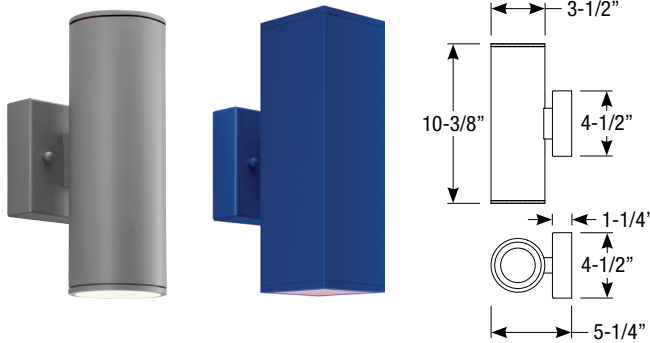
Catalog #:

Type:

Project:

Date:

Notes:



STANDARD FINISHES

 ABL (Aegean Blue)	 PNC (Painted Natural Copper)
 BB (Burnished Bronze)	 RD (Red)
 BK (Gloss Black)	 SGR (Sage Green)
 BLU (Blue)	 SND (Sand)
 DVG (Dove Gray)	 SS (Satin Silver)
 FLG (Flannel Gray)	 TBZ (Textured Bronze)
 GA (Galvanized)	 TGP (Textured Graphite)
 GWT (Gloss White)	 TNG (Tangerine)
 LG (Lime Green)	 TTL (Tahitian Teal)
 MB (Matte Black)	 WT (Semi Gloss White)
 MBL (Midnight Blue)	 YEL (Yellow)
 PNA (Painted Natural Aluminum)	

Electrical Data (In one direction)

CCT	CRI	Wattage	Delivered Lumens	Efficacy
2700K	90 CRI	25W	1716lm	69lpw
3000K	90 CRI	25W	1838lm	74lpw
3500K	90 CRI	25W	1975lm	79lpw
4000K	90 CRI	25W	2107lm	84lpw

Multiplier for Delivered Lumens

Wattage	10	15	20	25
Multiplier	0.45	0.69	0.83	1

Specifications

Field Replaceable LED Light Engine

- LED with 2 SDCM binning
- 2700K, 3000K, 3500K and 4000K at 90 CRI
- 10°, 30°, 50° and 80° optics

Finishes

Available in 22 standard finishes with optional coastal coating to protect finish in coastal environments.

Listing / Warranty

- Five (5) year limited warranty
- UL listed to US and Canadian standards for damp locations
- Round housings rated for Wet Location when ordered with the WL canopy option and Standard ERP driver.

Field Replaceable Dimming Driver

- Multiple dimming drivers available
- Power factor > 0.9, 50/60Hz

Downlight Cylinder

- Utilizes one LED to illuminate in one direction

Mounting

Square 4-1/2" x 1-1/4" canopy included with standard universal dim driver.
(7-1/2" x 6" x 1-1/4" canopy included with Lutron and eldoLED drivers)



JA8 TITLE 24 COMPLIANT

Order Matrix

3" Wall Mount Cylinder (Example: LWU3-10-35-10-BK-5-S)

Series	Wattage	CCT / CRI	Optic	Finish	Coastal Coating	Rev	Driver	Canopy
Round								
LWU3 (Up)	-10	-27 (2700K / 90 CRI)	-10	-ABL (Aegean Blue)	(blank) (No coating)	-5	-S ² (ERP, Universal Dim, Triac/ELV/0-10V 1% 120-277V)	(blank) (Damp Listed)
LWD3 (Down)	-15	-30 (3000K / 90 CRI)	-30	-BB (Burnished Bronze)	-C (Coating)		-L3 ¹ (Lutron Hi-lume® Fade-to-Black 1% 120-277V)	-WL ³ (Wet Listed)
	-20	-35 (3500K / 90 CRI)	-50	-BK (Gloss Black)			-EL1 ¹ (eldoLED DALI 1% 120-277V)	
	-25	-40 (4000K / 90 CRI)	-80	-BLU (Blue)			-EL2 ¹ (eldoLED 0-10V 1% 120-277V)	
Square								
SLWU3 (Up)				-DVG (Dove Gray)			-DMX ¹ (DMX 1% 120-277V)	
SLWD3 (Down)				-FLG (Flannel Gray)				
Square Housing only for use in damp locations.				-GA (Galvanized)				
				-GWT (Gloss White)				
				-LG (Lime Green)				
				-MBL (Midnight Blue)				
				-MB (Matte Black)				
				-PNA (Painted Natural Aluminum)				
				-PNC (Painted Natural Copper)				
				-RD (Red)				
				-SGR (Sage Green)				
				-SND (Sand)				
				-SS (Satin Silver)				
				-TBZ (Textured Bronze)				
				-TGP (Textured Graphite)				
				-TNG (Tangerine)				
				-TTL (Tahitian Teal)				
				-WT (Semi Gloss White)				
				-YEL (Yellow)				

Emergency

EM-1000	(25W Remote Inverter)
EM-1002	(10W Remote Inverter)
EM-1003	(35W Remote Inverter)
EM-1003-CA	(35W Remote Inverter) Title 20
EM-1004	(50W Remote Inverter)
EM-1006	(25W Remote Inverter) Title 20

Optic

EDL-10-OPTIC-5	(10° Spot)
EDL-30-OPTIC-4	(30° Spot)
EDL-50-OPTIC-4	(50° Spot)
EDL-80-OPTIC-4	(80° Spot)

- Includes larger canopy
- Forward and reverse dimming at 120V only
- Wet Listed option only available for Round housings with Standard ERP driver

Spec-00232 Revised 10/14/2022

14508 Nelson Ave. City of Industry, CA 91744 • tel: 626.336.4511 • fax: 626.330.4266 • www.cslighting.com
©2021 Creative Systems Lighting, A Division of Troy-CSL Lighting, Inc.
All rights reserved. Subject to change without notice.

