

5" Adjustable Twist Cylinder

35W LED Pendant (Round)

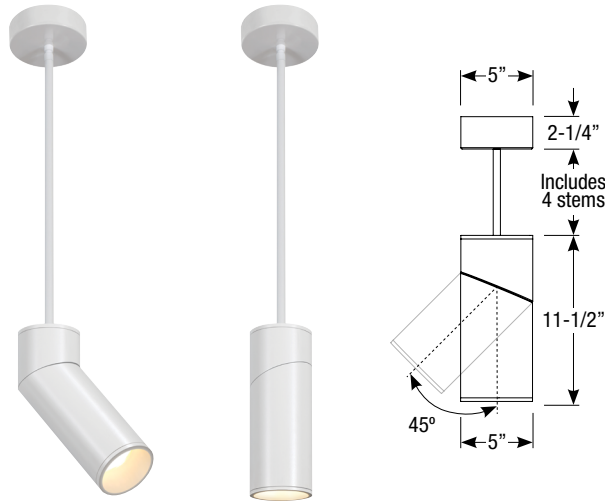
Catalog #:

Type:



Project:

Date:

Notes:



STANDARD FINISHES

 ABL (Aegean Blue)	 PNC (Painted Natural Copper)
 BB (Burnished Bronze)	 RD (Red)
 BK (Gloss Black)	 SGR (Sage Green)
 BLU (Blue)	 SND (Sand)
 DVG (Dove Gray)	 SS (Satin Silver)
 FLG (Flannel Gray)	 TBZ (Textured Bronze)
 GA (Galvanized)	 TGP (Textured Graphite)
 GWT (Gloss White)	 TNG (Tangerine)
 LG (Lime Green)	 TTL (Tahitian Teal)
 MB (Matte Black)	 WT (Semi Gloss White)
 MBL (Midnight Blue)	 YEL (Yellow)
 PNA (Painted Natural Aluminum)	

Electrical Data

CCT	CRI	Wattage	Delivered Lumens	Efficacy
2700K	90 CRI	35W	2265lm	65lpw
3000K	90 CRI	35W	2401lm	69lpw
3500K	90 CRI	35W	2401lm	69lpw
4000K	90 CRI	35W	2569lm	73lpw

Multiplier for Delivered Lumens

Wattage	10	15	20	25	30	35
Multiplier	0.34	0.5	0.61	0.73	0.81	1

Specifications

Field Replaceable LED Light Engine

- LED with 2 SDCM binning
- 2700K, 3000K, 3500K and 4000K at 90 CRI
- 10°, 30°, 50° and 80° optics

Adjustability

Cylinder is cut at a 45° to allow the pendant to twist to 45°

Field Replaceable Dimming Driver

- Multiple dimming drivers available
- Power factor > 0.9, 50/60Hz

Finishes

Available in 22 standard finishes with optional coastal coating to protect finish in coastal environments.

Mounting

- 4' of stem included; (1) 6", (2) 12" & (1) 18" (includes couplers)
- 5" x 2-1/4" canopy included with standard universal dim driver (7-1/8" x 2-1/4" canopy included with Lutron and eldoLED drivers)

Listing / Warranty

- Five (5) year limited warranty
- UL listed to US and Canadian standards for damp locations



JA8 TITLE 24 COMPLIANT

Order Matrix

5" Adjustable Twist Cylinder (Example: LP5-TWIST-10-35-10-BK-2-S)

Series	Wattage	CCT / CRI	Optic	Finish	Coastal Coating Option	Rev	Driver	Canopy
LP5-TWIST	-10	-27 (2700K / 90 CRI)	-10	-ABL (Aegean Blue)	(blank) (No coating)	-2	-S ² (ERP, Universal Dim, Triac/ELW/0-10V 10% 120-277V)	(blank) (standard canopy)
	-15	-30 (3000K / 90 CRI)	-30	-BB (Burnished Bronze)	-C (Coating)		-L1 ¹ (Lutron Hi-lume® 2-Wire 1% 120V)	-CC1 ³ (Conduit 3-1/4" canopy)
	-20	-35 (3500K / 90 CRI)	-50	-BK (Gloss Black)			-L3 ¹ (Lutron Hi-lume® Fade-to-Black 1% 120-277V)	-CC2 ³ (Conduit 3-7/8" canopy)
	-25	-40 (4000K / 90 CRI)	-80	-BLU (Blue)			-EL1 ¹ (eldoLED DALI 1% 120-277V)	
	-30			-DVG (Dove Gray)			-EL2 ¹ (eldoLED 0-10V 1% 120-277V)	
	-35			-FLG (Flannel Gray)			-DMX ¹ (DMX 1% 120-277V)	
				-GA (Galvanized)				
				-GWT (Gloss White)				
				-LG (Lime Green)				
				-MBL (Midnight Blue)				
				-MB (Matte Black)				
				-PNA (Painted Natural Aluminum)				
				-PNC (Painted Natural Copper)				
				-RD (Red)				
				-SGR (Sage Green)				
			-SND (Sand)					
			-SS (Satin Silver)					
			-TBZ (Textured Bronze)					
			-TGP (Textured Graphite)					
			-TNG (Tangerine)					
			-TTL (Tahitian Teal)					
			-WT (Semi Gloss White)					
			-YEL (Yellow)					

Emergency

EM-1000	(25W Remote Inverter)
EM-1002	(10W Remote Inverter)
EM-1003	(35W Remote Inverter)
EM-1003-CA	(35W Remote Inverter) Title 20
EM-1004	(50W Remote Inverter)
EM-1006	(25W Remote Inverter) Title 20

Optic

EDL5-10-OPTIC-1	(10° Spot)
EDL5-30-OPTIC-1	(30° Spot)
EDL5-50-OPTIC-1	(50° Spot)
EDL5-80-OPTIC-1	(80° Spot)

- Includes larger canopy
- Forward and reverse dimming at 120V only

- CC1 and CC2 only for S driver option

Spec-00230 Revised 04/06/2022

14508 Nelson Ave. City of Industry, CA 91744 • tel: 626.336.4511 • fax: 626.330.4266 • www.csllighting.com
 ©2021 Creative Systems Lighting, A Division of Troy-CSL Lighting, Inc.
 All rights reserved. Subject to change without notice.

