

# 2" Adjustable Twist Cylinder

## 15W LED Pendant (Round)

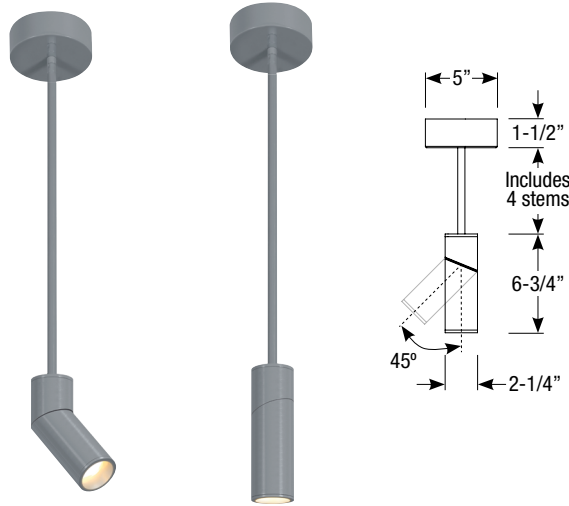
Catalog #:

Type:



Project:

Date:

Notes:



### STANDARD FINISHES

 <b>ABL</b> (Aegean Blue)	 <b>PNC</b> (Painted Natural Copper)
 <b>BB</b> (Burnished Bronze)	 <b>RD</b> (Red)
 <b>BK</b> (Gloss Black)	 <b>SGR</b> (Sage Green)
 <b>BLU</b> (Blue)	 <b>SND</b> (Sand)
 <b>DVG</b> (Dove Gray)	 <b>SS</b> (Satin Silver)
 <b>FLG</b> (Flannel Gray)	 <b>TBZ</b> (Textured Bronze)
 <b>GA</b> (Galvanized)	 <b>TGP</b> (Textured Graphite)
 <b>GWT</b> (Gloss White)	 <b>TNG</b> (Tangerine)
 <b>LG</b> (Lime Green)	 <b>TTL</b> (Tahitian Teal)
 <b>MB</b> (Matte Black)	 <b>WT</b> (Semi Gloss White)
 <b>MBL</b> (Midnight Blue)	 <b>YEL</b> (Yellow)
 <b>PNA</b> (Painted Natural Aluminum)	

### Electrical Data

CCT	CRI	Wattage	Delivered Lumens	Efficacy
2700K	90 CRI	15W	821lm	55lpw
3000K	90 CRI	15W	880lm	59lpw
3500K	90 CRI	15W	947lm	63lpw
4000K	90 CRI	15W	947lm	63lpw

### Multiplier for Delivered Lumens

Wattage	10	15
Multiplier	0.69	1

### Specifications

#### Field Replaceable LED Light Engine

- LED with 2 SDCM binning
- 2700K, 3000K, 3500K and 4000K at 90 CRI
- 10°, 30°, 50° and 80° optics

#### Field Replaceable Dimming Driver

- Multiple dimming drivers available
- Power factor > 0.9, 50/60Hz

#### Mounting

- 4' of stem included; (1) 6", (2) 12" & (1) 18" (includes couplers)
- 5" x 1-1/2" canopy included with standard universal dim driver (7-1/8" x 2-1/4" canopy included with Lutron and eldoLED drivers)

#### Adjustability

Cylinder is cut at a 45° to allow the pendant to twist to 45°

#### Finishes

Available in 22 standard finishes with optional coastal coating to protect finish in coastal environments.

#### Listing / Warranty

- Five (5) year limited warranty
- UL listed to US and Canadian standards for damp locations



### Order Matrix

**2" Adjustable Twist Cylinder** (Example: LP2-TWIST-10-35-10-BK-4-S)

Series	Wattage	CCT / CRI	Optic	Finish	Coastal Coating Option	Rev	Driver	Canopy
LP2-TWIST	-10 -15	-27 (2700K / 90 CRI) -30 (3000K / 90 CRI) -35 (3500K / 90 CRI) -40 (4000K / 90 CRI)	-10 -30 -50 -80	-ABL (Aegean Blue)	(blank) (No coating)	-4	-S <sup>2</sup> (ERP, Universal Dim, Triac/ELV/0-10V 1% 120-277V) -L1 <sup>1</sup> (Lutron Hi-lume® 2-Wire 1% 120V) -L3 <sup>1</sup> (Lutron Hi-lume® Fade-to-Black 1% 120-277V) -EL1 <sup>1</sup> (eldoLED DALI 1% 120-277V) -EL2 <sup>1</sup> (eldoLED 0-10V 1% 120-277V) -DMX <sup>1</sup> (DMX 1% 120-277V)	(blank) (standard canopy)
				-BB (Burnished Bronze)	-C (Coating)			-CC1 <sup>3</sup> (Conduit 3-1/4" canopy)
				-BK (Gloss Black)				-CC2 <sup>3</sup> (Conduit 3-7/8" canopy)
				-BLU (Blue)				
				-DVG (Dove Gray)				
				-FLG (Flannel Gray)				
				-GA (Galvanized)				
				-GWT (Gloss White)				
				-LG (Lime Green)				
				-MBL (Midnight Blue)				
				-MB (Matte Black)				
				-PNA (Painted Natural Aluminum)				
				-PNC (Painted Natural Copper)				
				-RD (Red)				
				-SGR (Sage Green)				
				-SND (Sand)				
				-SS (Satin Silver)				
				-TBZ (Textured Bronze)				
				-TGP (Textured Graphite)				
				-TNG (Tangerine)				
				-TTL (Tahitian Teal)				
				-WT (Semi Gloss White)				
-YEL (Yellow)								

### Emergency

<b>EM-1000</b>	(25W Remote Inverter)
<b>EM-1002</b>	(10W Remote Inverter)
<b>EM-1003</b>	(35W Remote Inverter)
<b>EM-1003-CA</b>	(35W Remote Inverter) Title 20
<b>EM-1004</b>	(50W Remote Inverter)
<b>EM-1006</b>	(25W Remote Inverter) Title 20

### Optic

<b>EDLM-10-OPTIC-3</b>	(10° Spot)
<b>EDLM-30-OPTIC-3</b>	(30° Spot)
<b>EDLM-50-OPTIC-3</b>	(50° Spot)
<b>EDLM-80-OPTIC-3</b>	(80° Spot)

- Includes larger canopy
- Forward and reverse dimming at 120V only

- CC1 and CC2 only for S driver option

Spec-00226 Revised 07/13/2022

