

# 3" Flush Mount Cylinder

## 25W LED Surface Mount (Round or Square)

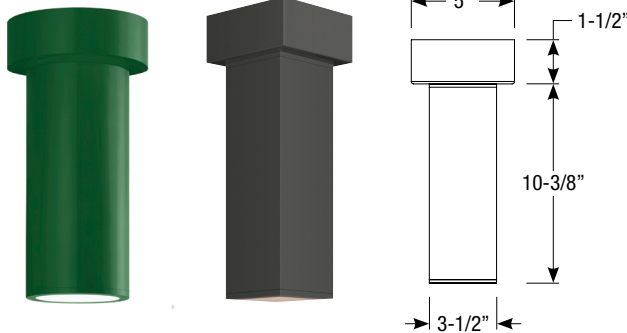
Catalog #:

Type:





Project:

Date:

Notes:



### STANDARD FINISHES

 <b>ABL</b> (Aegean Blue)	 <b>PNC</b> (Painted Natural Copper)
 <b>BB</b> (Burnished Bronze)	 <b>RD</b> (Red)
 <b>BK</b> (Gloss Black)	 <b>SGR</b> (Sage Green)
 <b>BLU</b> (Blue)	 <b>SND</b> (Sand)
 <b>DVG</b> (Dove Gray)	 <b>SS</b> (Satin Silver)
 <b>FLG</b> (Flannel Gray)	 <b>TBZ</b> (Textured Bronze)
 <b>GA</b> (Galvanized)	 <b>TGP</b> (Textured Graphite)
 <b>GWT</b> (Gloss White)	 <b>TNG</b> (Tangerine)
 <b>LG</b> (Lime Green)	 <b>TTL</b> (Tahitian Teal)
 <b>MB</b> (Matte Black)	 <b>WT</b> (Semi Gloss White)
 <b>MBL</b> (Midnight Blue)	 <b>YEL</b> (Yellow)
 <b>PNA</b> (Painted Natural Aluminum)	

### Electrical Data

CCT	CRI	Wattage	Delivered Lumens	Efficacy
2700K	90 CRI	25W	1716lm	69lpw
3000K	90 CRI	25W	1838lm	74lpw
3500K	90 CRI	25W	1975lm	79lpw
4000K	90 CRI	25W	2107lm	84lpw

### Multiplier for Delivered Lumens

Wattage	10	15	20	25
Multiplier	0.45	0.69	0.83	1

### Specifications

#### Field Replaceable LED Light Engine

- LED with 2 SDCM binning
- 2700K, 3000K, 3500K and 4000K at 90 CRI
- 10°, 30°, 50° and 80° optics

#### Finishes

Available in 22 standard finishes with optional coastal coating to protect finish in coastal environments.

#### Field Replaceable Dimming Driver

- Multiple dimming drivers available
- Power factor > 0.9, 50/60Hz

#### Listing / Warranty

- Five (5) year limited warranty
- UL listed to US and Canadian standards for damp locations

#### Mounting

5" x 1-1/2" canopy included with standard universal dim driver. (7-1/8" x 2-1/4" round canopy or 6-1/4" x 2-1/4" square canopy included with Lutron and eldoLED drivers)



JA8 TITLE 24 COMPLIANT

## Order Matrix

### 3" Flush Mount Cylinder (Example: LF3-10-35-10-BK-5-S)

Series	Wattage	CCT / CRI	Optic	Finish	Coastal Coating Option	Rev	Driver	Canopy
<b>LF3</b> (Round)	<b>-10</b>	<b>-27</b> (2700K / 90 CRI)	<b>-10</b>	<b>-ABL</b> (Aegean Blue)	(blank) (No coating)	<b>-5</b>	<b>-S<sup>2</sup></b> (ERP, Universal Dim, Triac/ELV/0-10V 1% 120-277V)	(blank) (standard canopy)
<b>SLF3</b> (Square)	<b>-15</b>	<b>-30</b> (3000K / 90 CRI)	<b>-30</b>	<b>-BB</b> (Burnished Bronze)	<b>-C</b> (Coating)		<b>-L1<sup>1</sup></b> (Lutron Hi-lume® 2-Wire 1% 120V)	<b>-CC1<sup>3</sup></b> (Conduit 3-1/4" canopy)
	<b>-20</b>	<b>-35</b> (3500K / 90 CRI)	<b>-50</b>	<b>-BK</b> (Gloss Black)			<b>-L3<sup>1</sup></b> (Lutron Hi-lume® Fade-to-Black 1% 120-277V)	<b>-CC2<sup>3</sup></b> (Conduit 3-7/8" canopy)
	<b>-25</b>	<b>-40</b> (4000K / 90 CRI)	<b>-80</b>	<b>-BLU</b> (Blue)			<b>-EL1<sup>1</sup></b> (eldoLED DALI 1% 120-277V)	
				<b>-DVG</b> (Dove Gray)			<b>-EL2<sup>1</sup></b> (eldoLED 0-10V 1% 120-277V)	
				<b>-FLG</b> (Flannel Gray)			<b>-DMX<sup>1</sup></b> (DMX 1% 120-277V)	
				<b>-GA</b> (Galvanized)				
				<b>-GWT</b> (Gloss White)				
				<b>-LG</b> (Lime Green)				
				<b>-MBL</b> (Midnight Blue)				
				<b>-MB</b> (Matte Black)				
				<b>-PNA</b> (Painted Natural Aluminum)				
				<b>-PNC</b> (Painted Natural Copper)				
				<b>-RD</b> (Red)				
				<b>-SGR</b> (Sage Green)				
				<b>-SND</b> (Sand)				
				<b>-SS</b> (Satin Silver)				
				<b>-TBZ</b> (Textured Bronze)				
				<b>-TGP</b> (Textured Graphite)				
				<b>-TNG</b> (Tangerine)				
				<b>-TTL</b> (Tahitian Teal)				
				<b>-WT</b> (Semi Gloss White)				
				<b>-YEL</b> (Yellow)				

### Emergency

<b>EM-1000</b>	(25W Remote Inverter)
<b>EM-1002</b>	(10W Remote Inverter)
<b>EM-1003</b>	(35W Remote Inverter)
<b>EM-1003-CA</b>	(35W Remote Inverter) Title 20
<b>EM-1004</b>	(50W Remote Inverter)
<b>EM-1006</b>	(25W Remote Inverter) Title 20

### Optic

<b>EDL-10-OPTIC-5</b>	(10° Spot)
<b>EDL-30-OPTIC-4</b>	(30° Spot)
<b>EDL-50-OPTIC-4</b>	(50° Spot)
<b>EDL-80-OPTIC-4</b>	(80° Spot)

- Includes larger canopy
- Forward and reverse dimming at 120V only

- CC1 and CC2 only for S driver option

Spec-00223 Revised 07/13/2022

14508 Nelson Ave. City of Industry, CA 91744 • tel: 626.336.4511 • fax: 626.330.4266 • www.cslighting.com  
 ©2021 Creative Systems Lighting, A Division of Troy-CSL Lighting, Inc.  
 All rights reserved. Subject to change without notice.

