

**READ AND FOLLOW ALL SAFETY INSTRUCTIONS! SAVE THESE INSTRUCTIONS AND DELIVER TO OWNER AFTER INSTALLATION.**

This fixture is designed to be mounted on a correctly installed standard round or octagon box or a through wiring box with a plaster frame. The box must be securely mounted to the structure of the building. The cover plate and hardware supplied should be used. Directly mounting the fixture to the outlet box may make it impossible to correctly align the fixture.

**⚠ WARNING: RISK OF ELECTRIC SHOCK**

- Before installation or servicing DISCONNECT POWER BY TURNING OFF THE CIRCUIT breakers both to the outlet box and to its associated wall switch.
- Installation and service of luminaires should be performed by a qualified licensed electrician in accordance with all local and National Electrical Codes.
- DO NOT install damaged product
- Verify that supply voltage is correct by comparing it with the luminaire label information.
- All wiring connections should be capped with UL approved recognized wire connectors.

**⚠ WARNING: RISK OF INJURY**

- Allow luminaire to cool before servicing. Follow all manufacturer's warning and restrictions for driver type, mounting locations, replacement and recycling.
- Wear safety glasses and gloves when installing, maintaining or servicing.
- Avoid direct eye exposure to the light source while it is on.

**⚠ WARNING: RISK OF FIRE**

- DO NOT separate any other wires that may be in the box.
- DO NOT damage the insulation of older wiring.
- In regular circumstances the BLACK wire will be the "Hot" lead and the WHITE wire will be the "Neutral" or "Common" lead. A GREEN or BARE COPPER wire is "Ground". In older buildings, it is always good practice to reconfirm the polarity of the wiring.

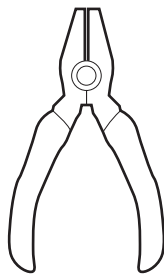
**⚠ WARNING: RISK OF PRODUCT DAMAGE**

- Never connect components under load
- Do not touch the yellow surface of the LED as it may damage the light engine.

## TOOLS REQUIRED



Philips Screw Driver

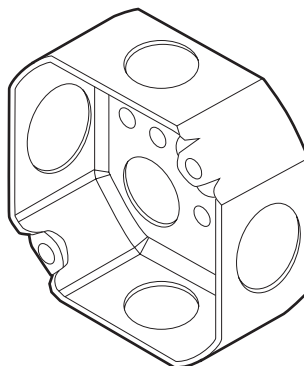


Pliers

## ACCESSORIES REQUIRED



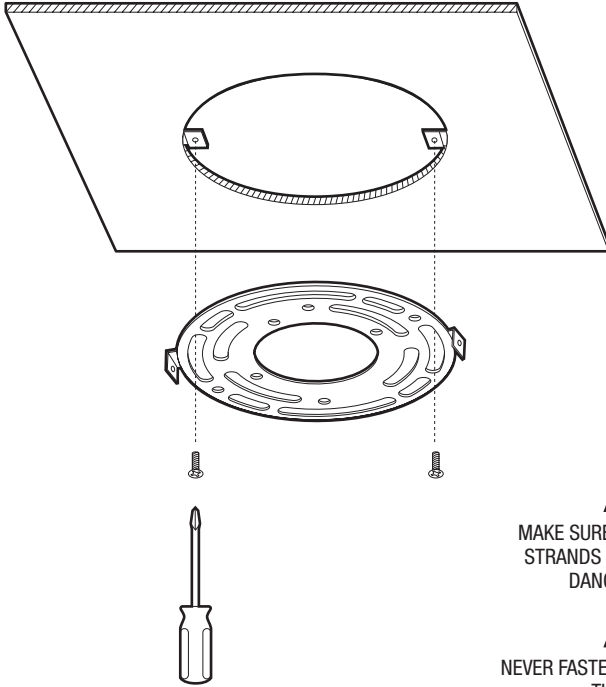
Electrical Wire Nut



Octagon Junction-Box  
4"W x 4"H x 1½"D or 4"W x 4"H x 2⅛"D

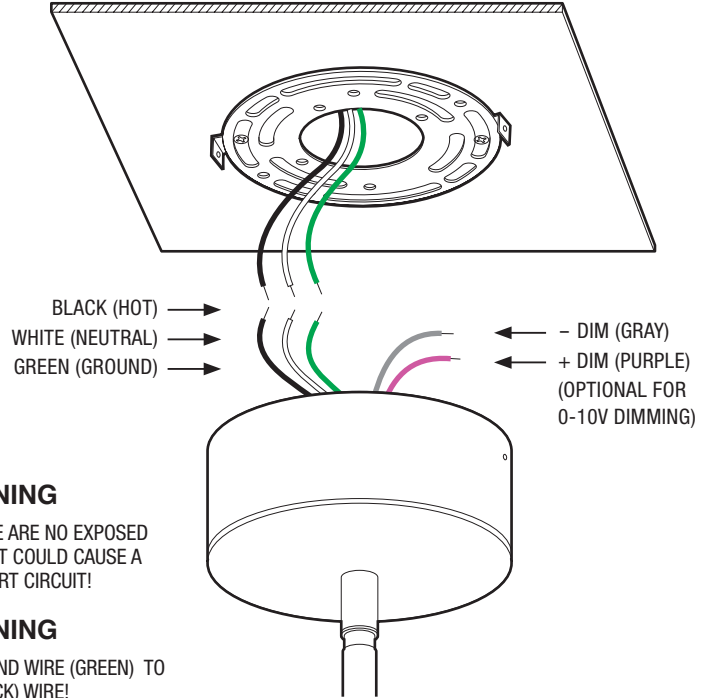
**Step1 - INSTALL COVER PLATE**

- Attach cover plate (universal) to junction-box with screws (3 - 32 x 3/4").



**Step2 - MAKE ELECTRICAL CONNECTION**

- Attach wires with the same color using approved fasteners or electrical tape.



**⚠ WARNING**

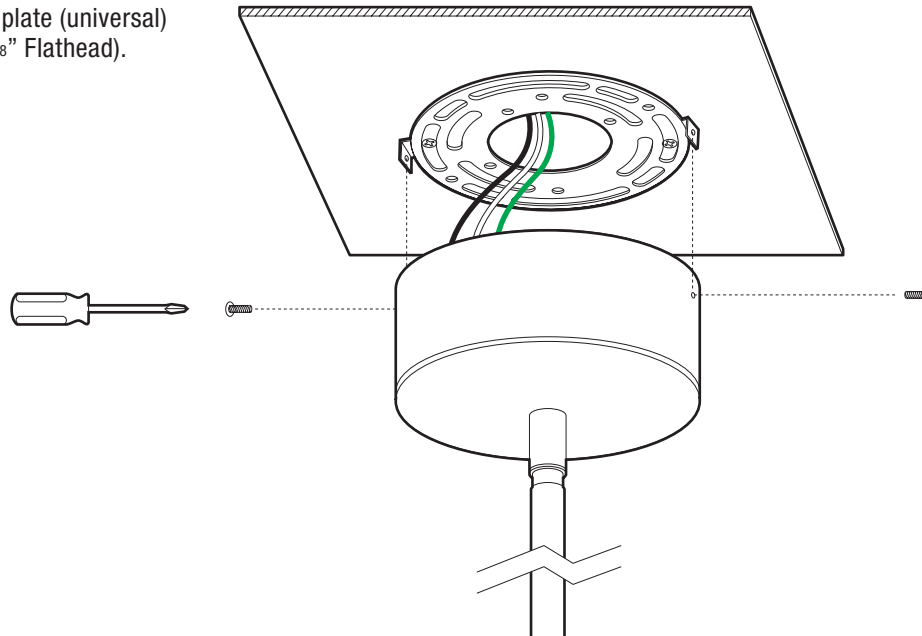
MAKE SURE THAT THERE ARE NO EXPOSED STRANDS OF WIRE THAT COULD CAUSE A DANGEROUS SHORT CIRCUIT!

**⚠ WARNING**

NEVER FASTEN THE GROUND WIRE (GREEN) TO THE HOT (BLACK) WIRE!  
FAILURE TO FOLLOW THIS INSTRUCTION COULD RESULT IN SERIOUS INJURY OR DEATH!

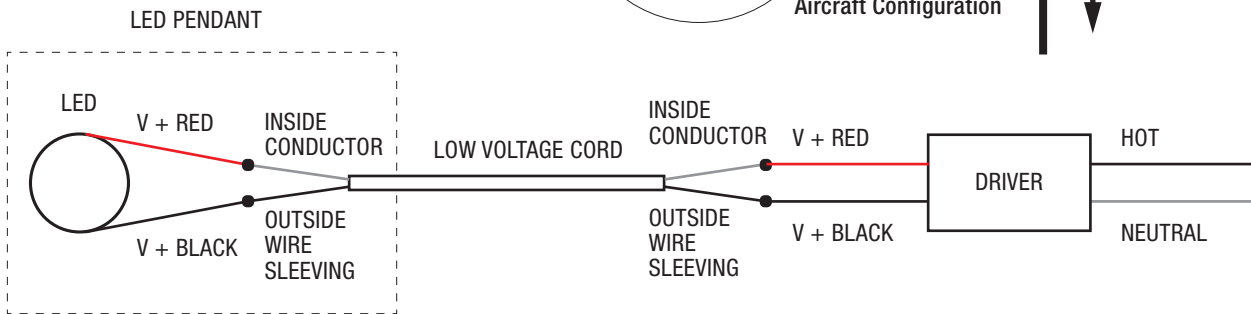
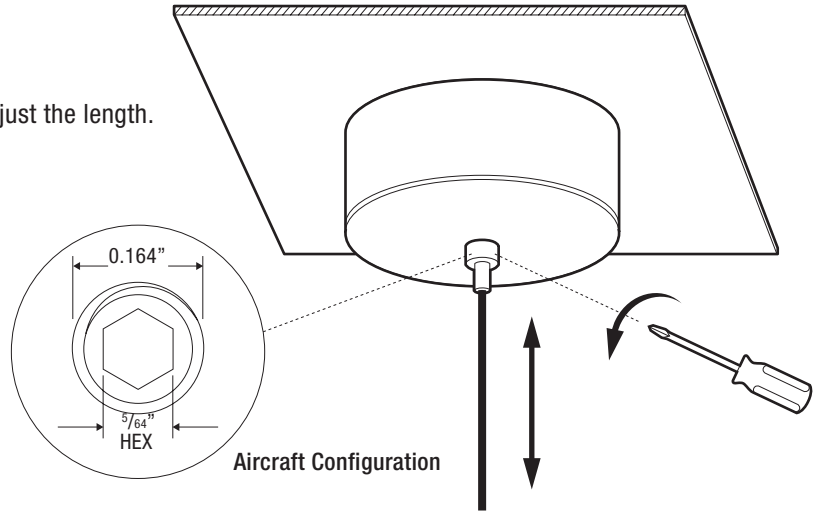
**Step3 - CANOPY COVER**

- Attach canopy to cover plate (universal) with screws (8 - 32 x 3/8" Flathead).

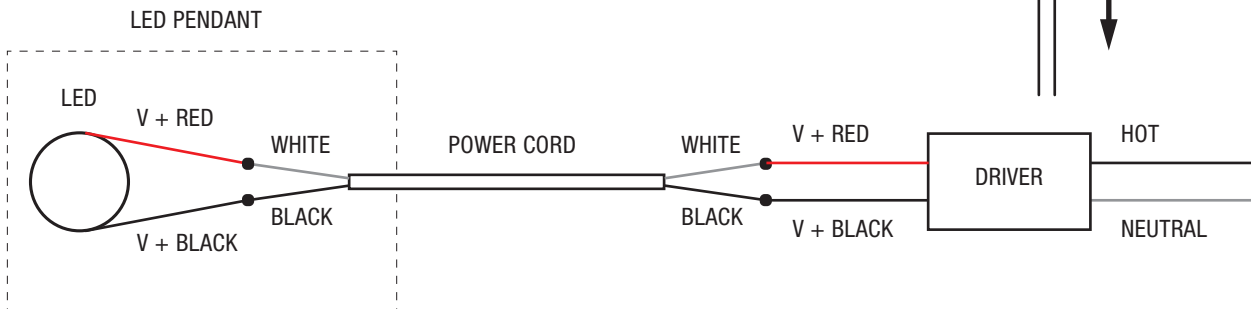
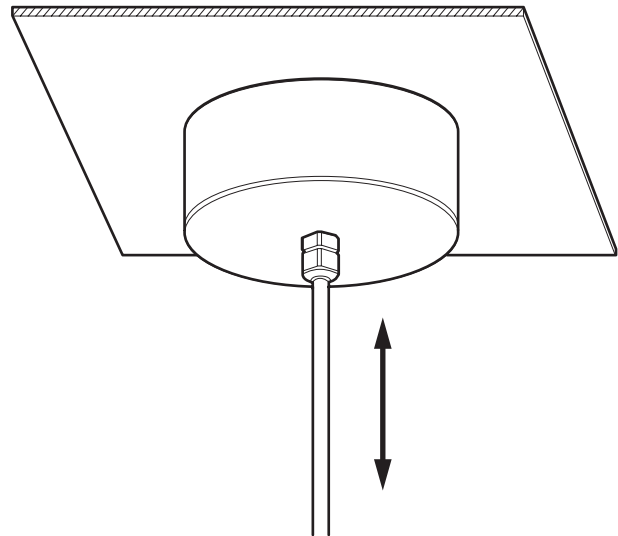


**Step4 - LENGTH ADJUSTMENT (PENDANT ONLY)**

- Turn locking screw counter clock wise (CCW) to adjust the length.

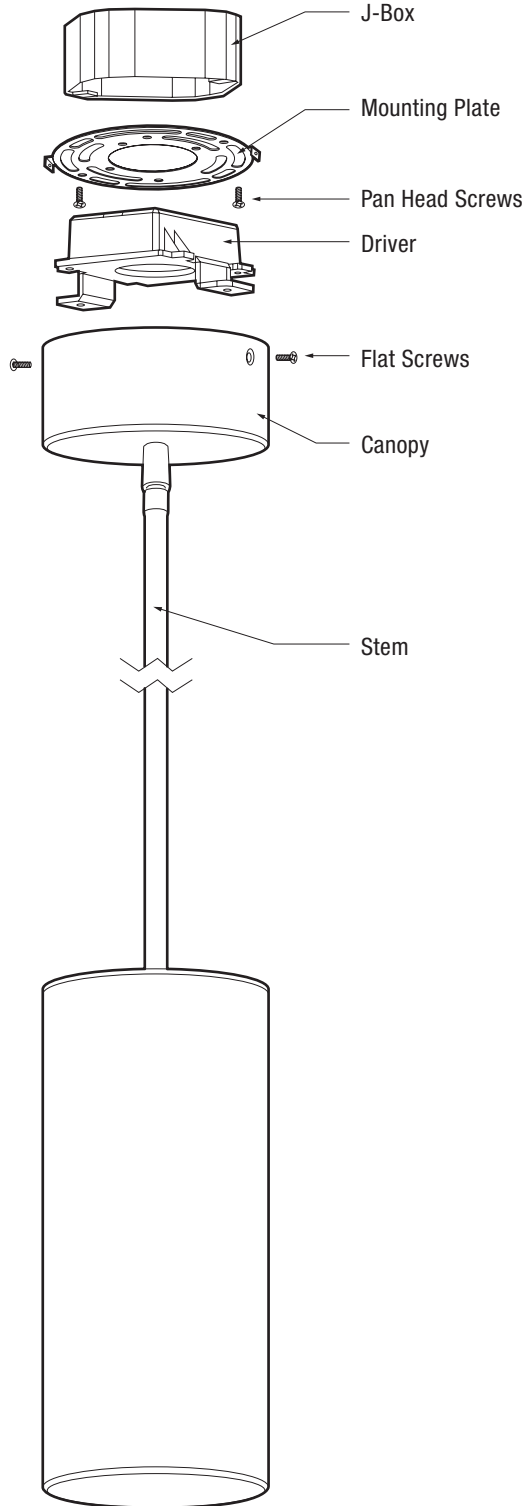


- Turn locking nut counter clock wise (CCW) to adjust the length.



**Step5 - CONFIGURATION**

**PENDANT CONFIGURATION**



**FLUSH CONFIGURATION**

