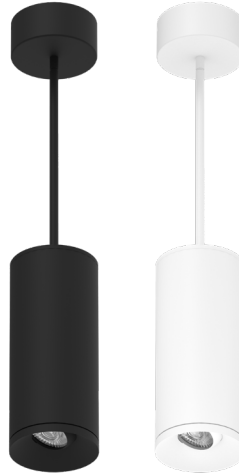


Project: _____
Type: _____
Note: _____

GYROSHIFT CYLINDERS - 3", 5" LED PENDANT



3" Pendant GyroShift Cylinder



5" Pendant GyroShift Cylinder

LED LIGHT ENGINE	
RATED WATTAGES	LP3-SFT (10W-25W), LP5-SFT (10W-30W)
DELIVERED LUMENS	Up to: 3" 1795lm, 5" 2025lm
CCT/CRI	2700K 90CRI, 3000K 90CRI, 4000K 80CRI, Warm Dim 98 CRI
COLOR QUALITY	2700K-4000K 90CRI, 2-Step

POWER SUPPLY	
INPUT VOLTAGE	120/277V, 50/60Hz
DIMMING	Multiple Dimming Drivers Available
SERVICABILITY	Light Module and Driver Field Serviceable Driver located in canopy

DELIVERED LUMENS						
SIZE	POWER	WITH 50° OPTIC				
		2700K 90CRI	3000K 90CRI	3500K 90CRI	4000K 90CRI	WARM DIM 98 CRI
3" & 5"	10W	755lm	800lm	841lm	876lm	608lm
3" & 5"	15W	1122lm	1190lm	1251lm	1303lm	N/A
3" & 5"	20W	1358lm	1440lm	1514lm	1576lm	N/A
3" & 5"	25W	1601lm	1697lm	1784lm	1858lm	N/A
3" & 5"	30W	1745lm	1850lm	1945lm	2025lm	N/A

STANDARD FINISH

- WT (Semi Gloss White) MB (Matte Black)
- Specialty Finishes Available (see page 3 for options)

MOUNTING

- 4' of stem included: (1) 6", (2) 12" and (1) 18" (includes couplers)
- 10' field adjustable cord with all standard cord mounts
- Mounts to a 4" junction box (Junction Box not included)

LISTING/WARRANTY

- cULus Listed for Damp Location
- CA Title 24-JA8 Compliant
- Five (5) year limited warranty

GYROSHIFT OPTICS TECHNOLOGY	
OPTICS	10°, 30° & 50° Available
ADJUSTABLE	LP3-SFT + LP5-SFT 45° Tilt, Infinite Rotation
MEDIA	Clear, Solite, Frosted, Linear Spread, Wall Wash, Hex Louver



Project: _____
Type: _____
Note: _____

GYROSHIFT CYLINDERS - 3", 5" LED PENDANT

3" GYROSHIFT PENDANT (Example: LP3-SFT-25S3050WT-NLNL-ST-0)

PRODUCT FAMILY	WATTAGE	DRIVER	CCT
LP3-SFT - 3" GyroShift Pendant Round	10 10W	S¹ Universal Dim Driver: 1%-100% 0-10V, TRIAC, ELV, 120V/277V	27 2700K
	15 15W	L3² Lutron Dim Driver: 1%-100% EcoSystem, 120V/277V	30 3000K
	20 20W	EL1² EldoLED DALI Dim: 1%-100% DALI, 120V/277V	35 3500K
	25 25W	EL2² EldoLED Dim: 0.1%-100% 0-10V, 120V/277V	40 4000K
		DMX² DMX Dim: 1%-100% DMX, 120V/277V	WD* Warm Dim
			*Warm Dim max wattage is 10W

1. Forward and reverse phase dimming at 120V only.
2. Includes larger canopy.

OPTIC	STANDARD FINISHES	COASTAL COATING OPTION	MEDIA 1	MEDIA 2
10 10° Narrow	WT Semi Gloss White	(blank) No Coating	NL No Lens	NL No Lens
30 30° Narrow Flood	MB Matte Black	C Coastal Coating	CL Clear Lens	CL Clear Lens
50 50° Flood	Specialty Finish See p. 3 for Specialty Finish Codes		FR Frosted	FR Frosted
			MP Solite	MP Solite
			LS Linear Spread	LS Linear Spread
			HEX* Hex Louver	WW Wall Wash
			WW* Wall Wash	
			Note: HEX, WW cannot be used with second Media	

MOUNTING TYPE	REVISION	MOUNTING TYPE
ST Stem Mount	0 Revision	(blank) Standard Canopy
BC 10' Black Cord		-CC1* Conduit 3-1/4" Canopy
WC 10' White Cord		-CC2* Conduit 3-7/8" Canopy
*Only for S Driver option		

Project: _____
Type: _____
Note: _____

GYROSHIFT CYLINDERS - 3", 5" LED PENDANT

5" GYROSHIFT PENDANT (Example: LP5-SFT-30S3550WT-HEXNL-ST-0)

PRODUCT FAMILY	WATTAGE	DRIVER	CCT
LP5-SFT 3" GyroShift Pendant Round	10 10W	S¹ Universal Dim Driver: 1%-100% 0-10V, TRIAC, ELV, 120V/277V	27 2700K
	15 15W	L3² Lutron Dim Driver: 1%-100% EcoSystem, 120V/277V	30 3000K
	20 20W	EL1² EldoLED DALI Dim: 1%-100% DALI, 120V/277V	35 3500K
	25 25W	EL2² EldoLED Dim: 0.1%-100% 0-10V, 120V/277V	40 4000K
	30 30W	DMX² DMX Dim: 1%-100% DMX, 120V/277V	WD* Warm Dim

*Warm Dim max wattage is 10W

1. Forward and reverse phase dimming at 120V only.
2. Includes larger canopy.

OPTIC	STANDARD FINISHES	COASTAL COATING OPTION	MEDIA 1	MEDIA 2
10 10° Narrow	WT Semi Gloss White	(blank) No Coating	NL No Lens	NL No Lens
30 30° Narrow Flood	MB Matte Black	C Coastal Coating	CL Clear Lens	CL Clear Lens
50 50° Flood	Specialty Finish See below for Specialty Finish Codes		FR Frosted	FR Frosted
			MP Solite	MP Solite
			LS Linear Spread	LS Linear Spread
			HEX* Hex Louver	WW Wall Wash
			WW* Wall Wash	

*HEX, WW cannot be used with second Media

MOUNTING TYPE	REVISION	MOUNTING TYPE
ST Stem Mount	0 Revision	(blank) Standard Canopy
BC 10' Black Cord		-CC1* Conduit 3-1/4" Canopy
WC 10' White Cord		-CC2* Conduit 3-7/8" Canopy

*Only for S Driver option

Accessories

EMERGENCY OPTIONS
EM-1000 25W Remote Inverter
EM-1002 10W Remote Emergency Driver - Title 20
EM-1003-CA 35W Remote Inverter - Title 20
EM-1004 50W Remote Inverter
EM-1006 25W Remote Inverter - Title 20

STANDARD FINISH

SPECIALTY FINISH



WT

Semi Gloss White



MB

Matte Black



FLG

Flannel Gray



PNA

Painted Natural Aluminum



TBZ

Textured Bronze



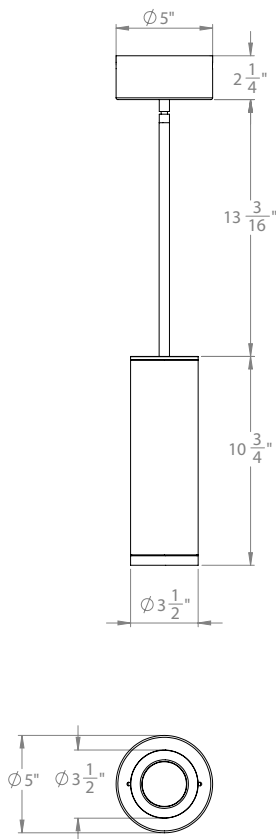
TGP

Textured Graphite

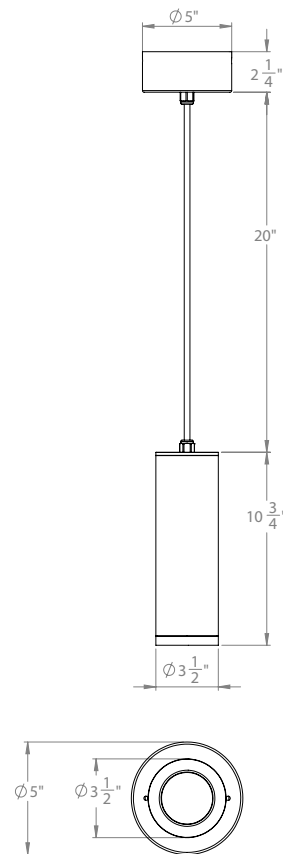
Project: _____
Type: _____
Note: _____

GYROSHIFT CYLINDERS - 3", 5" LED PENDANT

3" GyroShift Cylinder,
Stem Mount
LP3-SFT-ST



3" GyroShift Cylinder,
White or Black Cord Mount
LP3-SFT-WC or BC



Alternative drivers have a 7-1/8" diameter canopy.



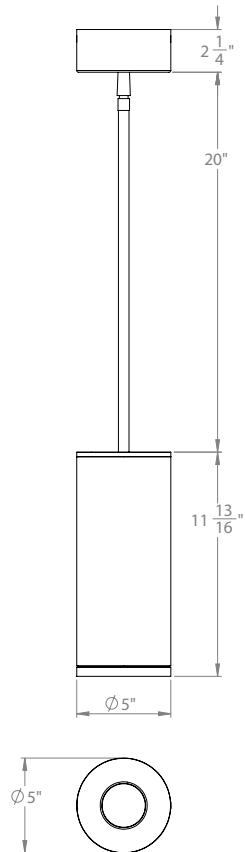
Project: _____

Type: _____

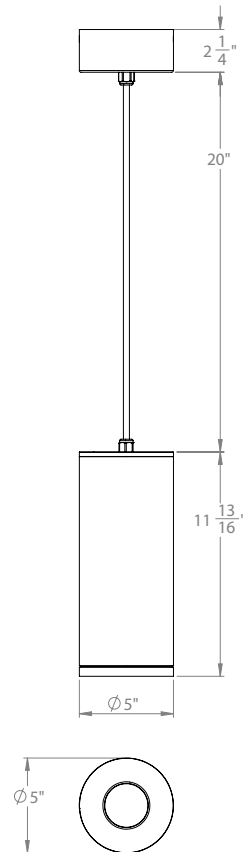
Note: _____

GYROSHIFT CYLINDERS - 3", 5" LED PENDANT

**5" GyroShift Cylinder,
Stem Mount
LP5-SFT-ST**



**5" GyroShift Cylinder,
*White or Black Cord Mount
LP5-SFT-WC or BC**

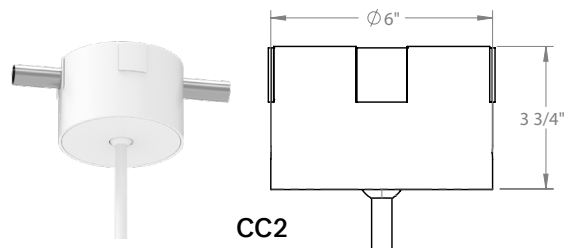
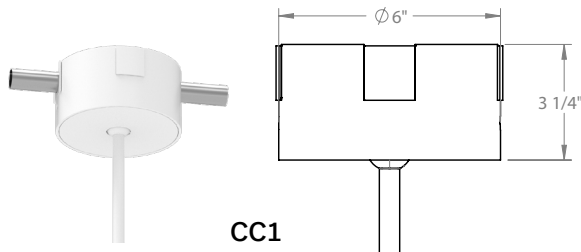


* Cord Grips are black for all finishes except WT, which comes with a grey Cord Grip

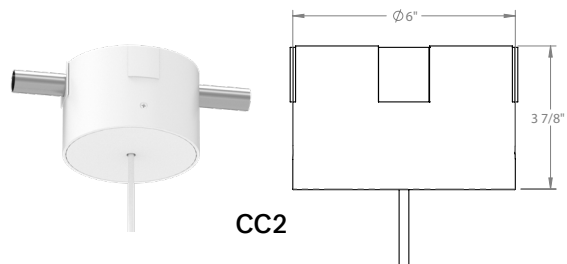
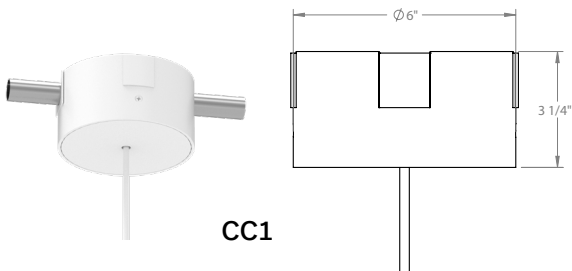
GYROSHIFT CYLINDERS - 3", 5" LED PENDANT

3" & 5" CC1 & CC2 CANOPY OPTIONS

LP3 & LP5 Stem Mount with CC1 and CC2 Conduit Canopy:



LP3 & LP5 Cord Mount with CC1 and CC2 Conduit Canopy:



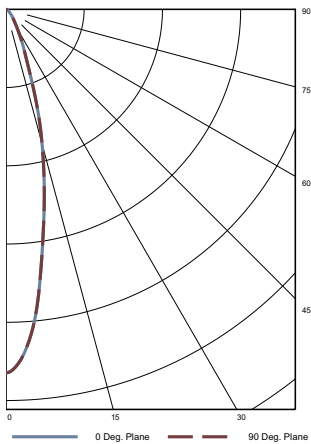
Project: _____
Type: _____
Note: _____

GYROSHIFT CYLINDERS - 3", 5" LED PENDANT

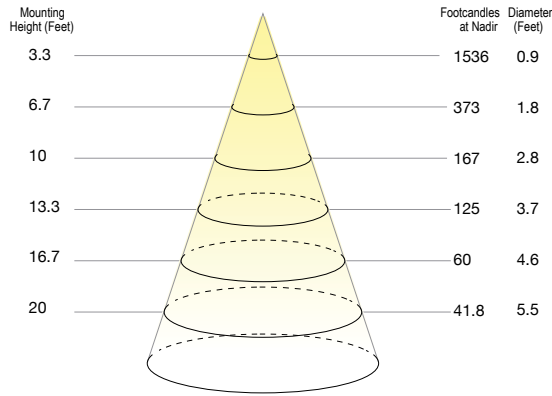
PHOTOMETRICS

5" GyroShift Cylinder (2700K, 90CRI, 10° Optic, 30W)

Polar Plot



Cone of Light Tabulation



VOLTAGE	CURRENT	POWER
120 VAC	0.25A	30W

POWER FACTOR	FREQUENCY	CURRENT THD
0.9	60 Hz	<20%

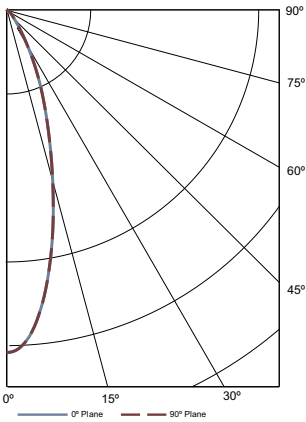
Summary of Results

Spacing Criteria	Total Lumen Output:	1816 lm
	Luminaire Efficacy:	61 lm/w
	Maximum Candela:	16726 cd

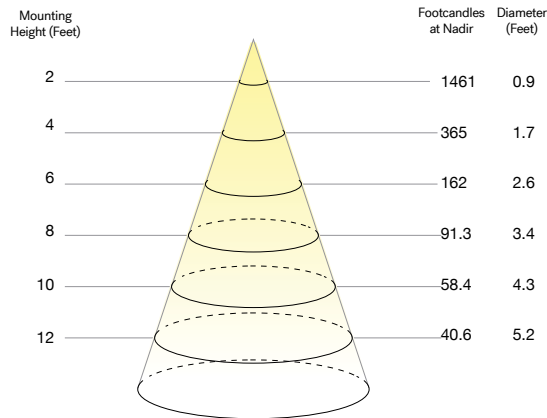
ZONE	LUMENS	% OF LUMINAIRE
0-30	1650	90.9%
0-60	1788	98.5%
0-90	1816	100%

5" GyroShift Cylinder (2700K, 90CRI, 30° Optic, 30W)

Polar Plot



Cone of Light Tabulation



VOLTAGE	CURRENT	POWER
120 VAC	0.25A	30W

POWER FACTOR	FREQUENCY	CURRENT THD
0.9	60 Hz	<20%

Summary of Results

Spacing Criteria	Total Lumen Output:	1655 lm
	Luminaire Efficacy:	55 lpw
	Maximum Candela:	5844 cd

ZONE	LUMENS	% OF LUMINAIRE
0-40	1344	81.2%
0-60	1627	98.3%
0-90	1655	100%

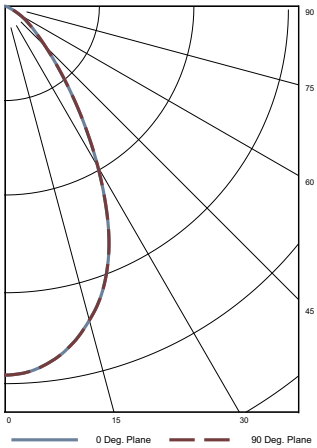
Project: _____
Type: _____
Note: _____

GYROSHIFT CYLINDERS - 3", 5" LED PENDANT

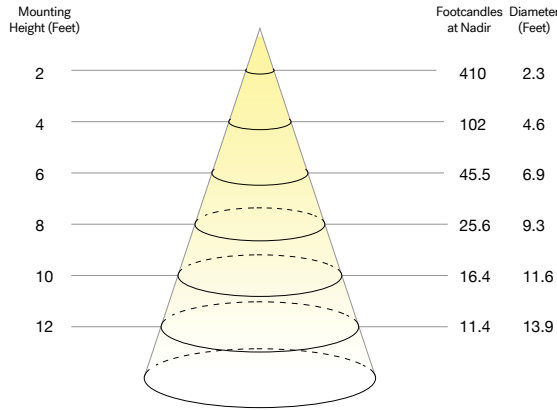
PHOTOMETRICS

5" GyroShift Cylinder (2700K, 90CRI, 50° Optic, 30W)

Polar Plot



Cone of Light Tabulation



VOLTAGE	CURRENT	POWER
120 VAC	0.25A	30W

POWER FACTOR	FREQUENCY	CURRENT THD
0.9	60 Hz	<20%

Summary of Results

Spacing Criteria	Total Lumen Output: 1762 lm
0-180: 0.94	Luminaire Efficacy: 59 lpw
90-270: 0.94	Maximum Candela: 1639 cd

ZONE	LUMENS	% OF LUMINAIRE
0-40	1410	80.1%
0-60	1714	97.3%
0-90	1762	100%

Project: _____
Type: _____
Note: _____

GYROSHIFT CYLINDERS - 3", 5" LED PENDANT

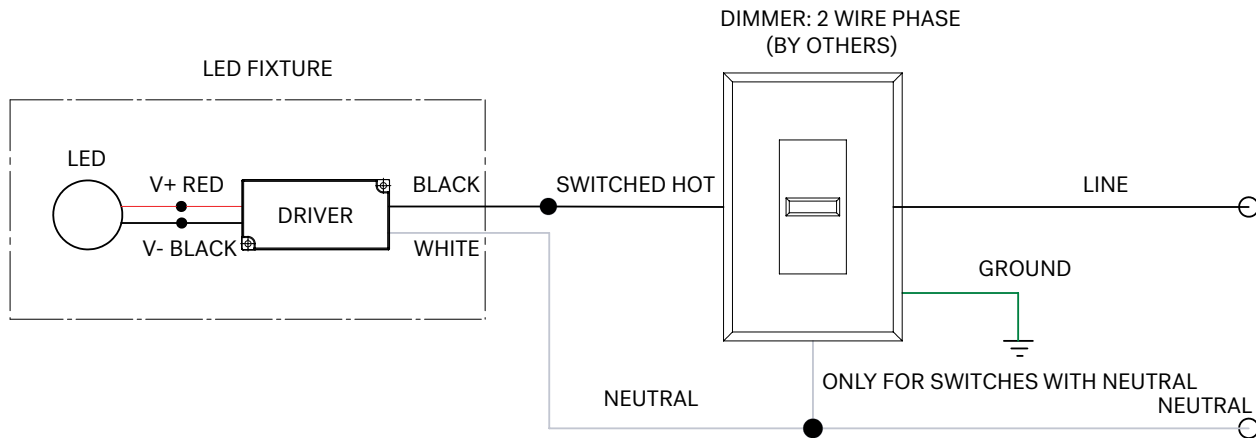
DIMMING DRIVER COMPATIBILITY

DIMMER LIST

"S" STANDARD DRIVER PHASE-CUT DIMMERS

DIMMER INFORMATION			
MANUFACTURER	PRODUCT	MANUFACTURER	PRODUCT
Cooper	DAL06P	Lightolier	ZP260QEW
	DLC03P	Lutron	CT103P
	SLC03P		DV600P
Leviton	6161		DVCL-153P
	6631-2		DVELV303P
	6633-P		FAELV500
	6673-10W		LG600P
	6683-IW		MAELV600
	IPE04		S600P
	IPI06-1LZ		S-603PG
	VPE06		SELV300P
			TG-600P
			TGCL-153P

S- STANDARD DRIVER 2 WIRE PHASE DIMMING



NOTE: Wiring diagrams are examples of typical installations intended to illustrate the number of wires that must be run to fixture. These diagrams are not intended to specify all equipment necessary for a given dimming circuit. Refer to specific dimmer manufacturer's documentation for details.

Project: _____
Type: _____
Note: _____

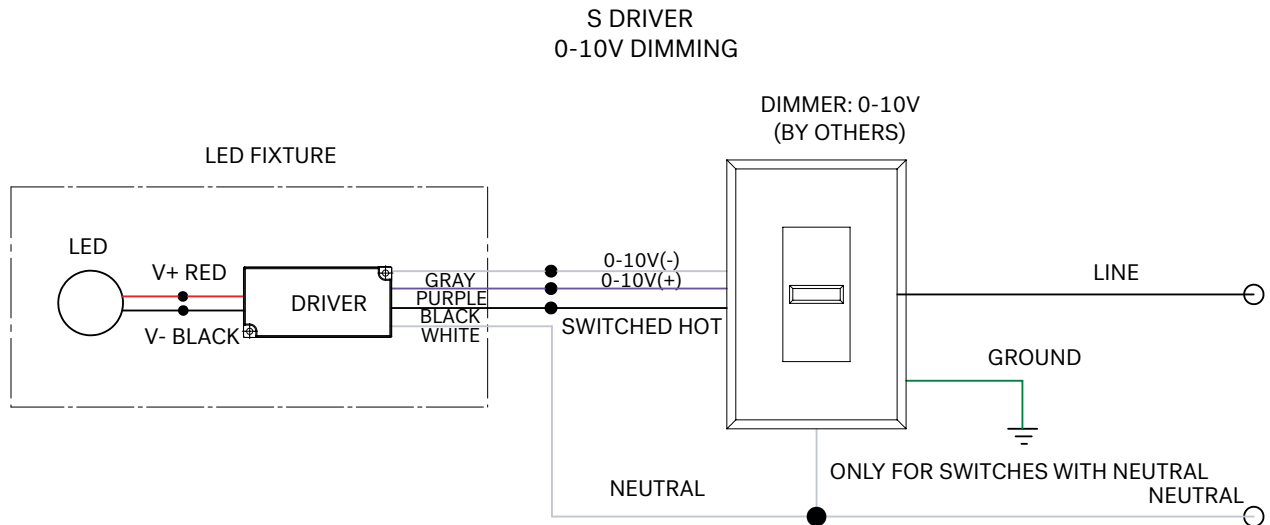
GYROSHIFT CYLINDERS - 3", 5" LED PENDANT

DIMMING DRIVER COMPATIBILITY

DIMMER LIST

"S" STANDARD DRIVER 0-10V

DIMMER INFORMATION	
MANUFACTURER	PRODUCT
Leviton	IP740-DLZ
Lightolier	ZP600FAM120
	V2000FAMU
Lutron	DVTV
	NTFTV
Crestron	CLS-EXP-DIMFLV
	DIN-4DIMFLV4
	DIN-A08
	GLX-DIMFLV8



NOTE: Wiring diagrams are examples of typical installations intended to illustrate the number of wires that must be run to fixture. These diagrams are not intended to specify all equipment necessary for a given dimming circuit. Refer to specific dimmer manufacturer's documentation for details.

Project: _____
Type: _____
Note: _____

GYROSHIFT CYLINDERS - 3", 5" LED PENDANT

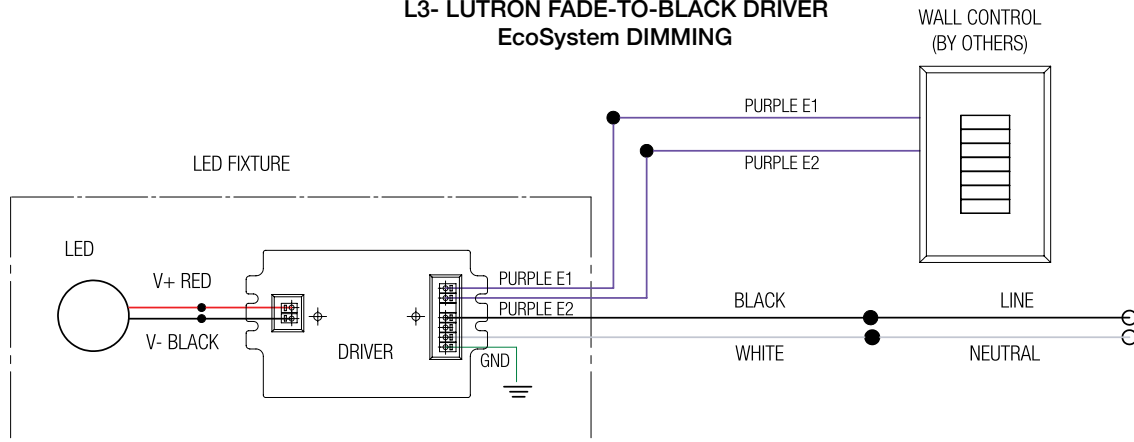
DIMMING DRIVER COMPATIBILITY

DIMMER LIST

"L3" LUTRON FADE-TO-BLACK

DIMMER INFORMATION	
MANUFACTURER	PRODUCT
Lutron	LQSE-2ECO-D
	RMJ-ECO32-DV-B
	FCJ/FCJS-ECO
	QSN-1ECO-S
	QSN-2ECO-S
	EcoSystem ESN
	Grafik Eye QS with EcoSystem
	Quantum

L3- LUTRON FADE-TO-BLACK DRIVER EcoSystem DIMMING



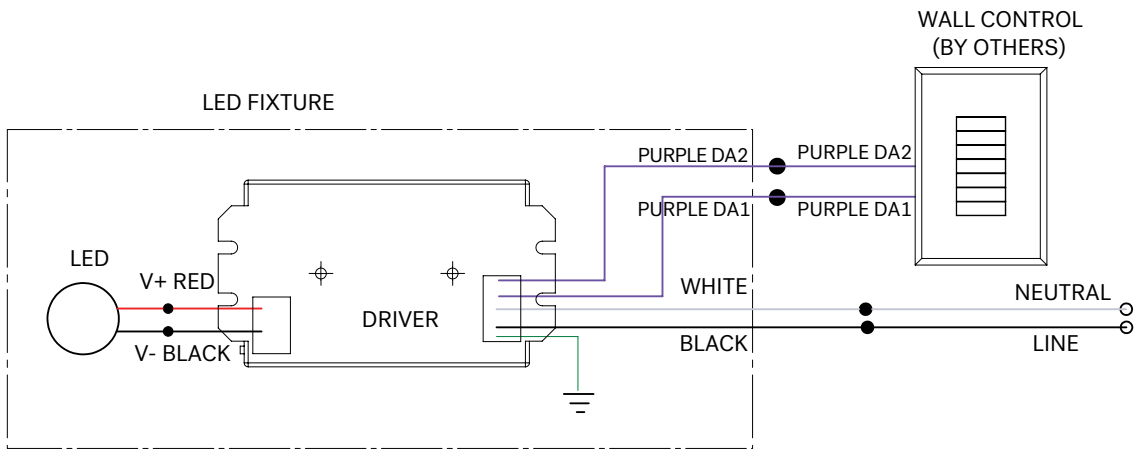
NOTE: Wiring diagrams are examples of typical installations intended to illustrate the number of wires that must be run to fixture. These diagrams are not intended to specify all equipment necessary for a given dimming circuit. Refer to specific dimmer manufacturer's documentation for details.

Project: _____
Type: _____
Note: _____

GYROSHIFT CYLINDERS - 3", 5" LED PENDANT

DIMMING DRIVER COMPATIBILITY

EL1- eldoLED DRIVER
DALI DIMMING



NOTE: Wiring diagrams are examples of typical installations intended to illustrate the number of wires that must be run to fixture. These diagrams are not intended to specify all equipment necessary for a given dimming circuit. Refer to specific dimmer manufacturer's documentation for details.

Project: _____
Type: _____
Note: _____

GYROSHIFT CYLINDERS - 3", 5" LED PENDANT

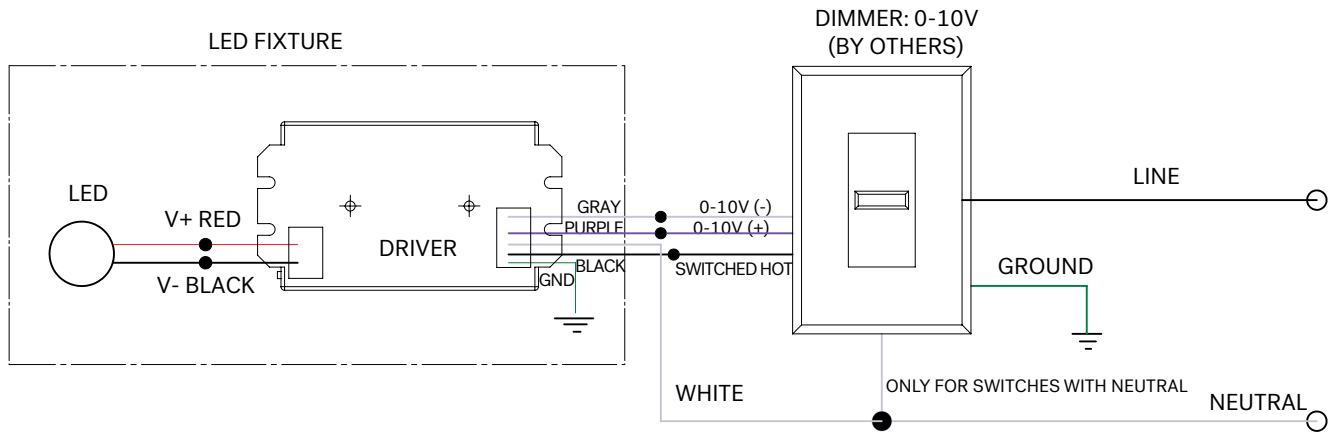
DIMMING DRIVER COMPATIBILITY

DIMMER LIST

"EL2" eIdoLED 0-10V 1%

DIMMER INFORMATION	
MANUFACTURER	PRODUCT
Leviton	IP740-DLZ
Lightolier	ZP600FAM120
Lutron	DVTV
	NTFTV
	NFTV
Crestron	CLS-EXP-DIMFLV
	DIN-4DIMFLV4
	DIN-A08
	GLX-DIMFLV8

EL2- eIdoLED DRIVER 0-10V DIMMING

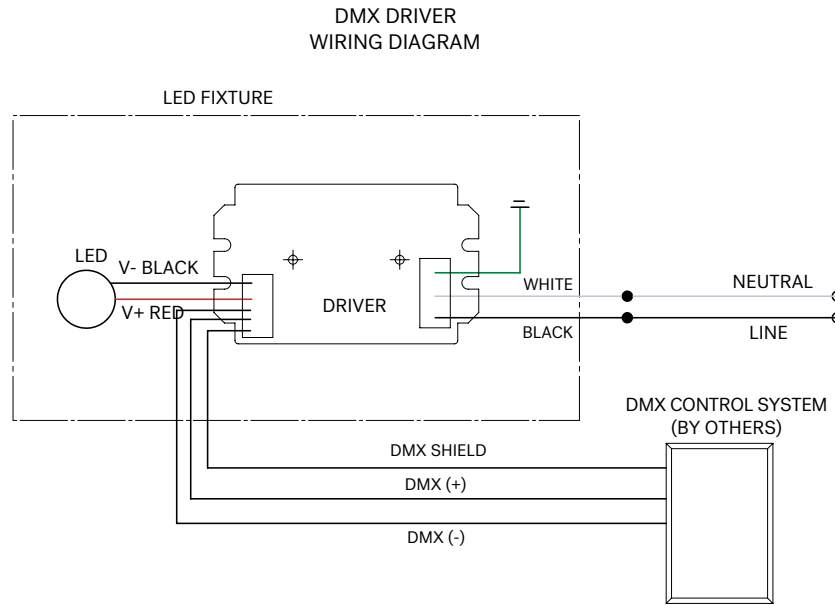


NOTE: Wiring diagrams are examples of typical installations intended to illustrate the number of wires that must be run to fixture. These diagrams are not intended to specify all equipment necessary for a given dimming circuit. Refer to specific dimmer manufacturer's documentation for details.

Project: _____
Type: _____
Note: _____

GYROSHIFT CYLINDERS - 3", 5" LED PENDANT

DIMMING DRIVER COMPATIBILITY



NOTE: Wiring diagrams are examples of typical installations intended to illustrate the number of wires that must be run to fixture. These diagrams are not intended to specify all equipment necessary for a given dimming circuit. Refer to specific dimmer manufacturer's documentation for details.