

Project: _____
Type: _____
Note: _____

GYROSHIFT CYLINDERS - 3", 5" LED FLUSH



3" Flush GyroShift Cylinder



5" Flush GyroShift Cylinder

LED LIGHT ENGINE	
RATED WATTAGES	LF3-SFT (10W-25W), LF5-SFT (10W-30W)
DELIVERED LUMENS	Up to: 3" 1795lm, 5" 2025lm
CCT/CRI	2700K 90CRI, 3000K 90CRI, 4000K 90CRI, Warm Dim 98 CRI
COLOR QUALITY	2700K-4000K 90CRI, 2-Step

POWER SUPPLY	
INPUT VOLTAGE	120/277V, 50/60Hz
DIMMING	Multiple Dimming Drivers Available
SERVICABILITY	Light Module and Driver Field Serviceable

DELIVERED LUMENS						
SIZE	POWER	WITH 50° OPTIC				
		2700K 90CRI	3000K 90CRI	3500K 90CRI	4000K 90CRI	WARM DIM 98 CRI
3" & 5"	10W	755lm	800lm	841lm	876lm	608lm
3" & 5"	15W	1122lm	1190lm	1251lm	1303lm	N/A
3" & 5"	20W	1358lm	1440lm	1514lm	1576lm	N/A
3" & 5"	25W	1601lm	1697lm	1784lm	1858lm	N/A
5"	30W	1745lm	1850lm	1945lm	2025lm	N/A

STANDARD FINISH

- WT (Semi Gloss White) MB (Matte Black)
- Specialty Finishes Available (see page 4 for options)

LISTING/WARRANTY

- cULus Listed for Damp Location
- CA Title 24-JA8 Compliant
- Five (5) year limited warranty

GYROSHIFT OPTICS TECHNOLOGY	
OPTICS	10°, 30° & 50° Available
ADJUSTABLE	LF3-SFT + LF5-SFT 45° Tilt, Infinite Rotation
MEDIA	Clear, Solite, Frosted, Linear Spread, Wall Wash, Hex Louver



Project: _____
Type: _____
Note: _____

GYROSHIFT CYLINDERS - 3", 5" LED FLUSH

3" GYROSHIFT FLUSH (Example: LP3-SFT-25S3050WT-NLNL-0)

PRODUCT FAMILY	WATTAGE	DRIVER	CCT
LF3-SFT- 3" GyroShift Pendant Round	10 10W	S¹ Universal Dim Driver: 1%-100% 0-10V, TRIAC, ELV, 120V/277V	27 2700K
	15 15W	L3 Lutron Dim Driver: 1%-100% EcoSystem, 120V/277V	30 3000K
	20 20W	EL1 EldoLED DALI Dim: 1%-100% DALI, 120V/277V	35 3500K
	25 25W	EL2 EldoLED Dim: 0.1%-100% 0-10V, 120V/277V	40 4000K
		DMX DMX Dim: 1%-100% DMX, 120V/277V	WD* Warm Dim
	¹ Forward and reverse phase dimming at 120V only. L3, EL1, EL2, DMX includes larger canopy.		*Warm Dim max wattage is 10W

OPTIC	STANDARD FINISHES	COASTAL COATING OPTION
10 10° Narrow	WT Semi Gloss White	No Coating
30 30° Narrow Flood	MB Matte Black	C Coastal Coating
50 50° Flood	Specialty Finish See p. 4 for Specialty Finish Codes	

MEDIA 1	MEDIA 2
NL No Lens	NL No Lens
CL Clear Lens	CL Clear Lens
FR Frosted	FR Frosted
MP Solite	MP Solite
LS Linear Spread	LS Linear Spread
HEX* Hex Louver	WW Wall Wash
WW* Wall Wash	
Note: HEX, WW cannot be used with second Media	

REVISION	MOUNTING TYPE
0 Revision	Standard Canopy <input type="checkbox"/> -CC1* Conduit 3-1/4" Canopy <input type="checkbox"/> -CC2* Conduit 3-7/8" Canopy *Only for S Driver option

Project: _____

Type: _____

Note: _____

GYROSHIFT CYLINDERS - 3", 5" LED FLUSH

5" GYROSHIFT FLUSH (Example: LF5-SFT-30S3550WT-HEXNL-0)

PRODUCT FAMILY	WATTAGE	DRIVER	CCT
LF5-SFT 3" GyroShift Flush Round	10 10W	S¹ Universal Dim Driver: 1%-100% 0-10V, TRIAC, ELV, 120V/277V	27 2700K
	15 15W	L3 Lutron Dim Driver: 1%-100% EcoSystem, 120V/277V	30 3000K
	20 20W	EL1 EldoLED DALI Dim: 1%-100% DALI, 120V/277V	35 3500K
	25 25W	EL2 EldoLED Dim: 0.1%-100% 0-10V, 120V/277V	40 4000K
	30 30W	DMX DMX Dim: 1%-100% DMX, 120V/277V	WD* Warm Dim

¹Forward and reverse phase dimming at 120V only.
L3, EL1, EL2, DMX includes larger canopy.

*Warm Dim max wattage is 10W

OPTIC	STANDARD FINISHES	COASTAL COATING OPTION
10 10° Narrow	WT Semi Gloss White	No Coating
30 30° Narrow Flood	MB Matte Black	C Coastal Coating
50 50° Flood	Specialty Finish See below for Specialty Finish Codes	

MEDIA 1	MEDIA 2
NL No Lens	NL No Lens
CL Clear Lens	CL Clear Lens
FR Frosted	FR Frosted
MP Solite	MP Solite
LS Linear Spread	LS Linear Spread
HEX* Hex Louver	WW Wall Wash
WW* Wall Wash	

*HEX, WW cannot be used with second Media

Accessories

REVISION	MOUNTING TYPE
0 Revision	Standard Canopy -CC1* Conduit 3-1/4" Canopy -CC2* Conduit 3-7/8" Canopy *Only for S Driver option

EMERGENCY OPTIONS	
EM-1000 25W Remote Inverter	EM-1004 50W Remote Inverter
EM-1002 10W Remote Emergency Driver - Title 20	EM-1006 25W Remote Inverter - Title 20
EM-1003-CA 35W Remote Inverter - Title 20	

STANDARD FINISH

(Stem Mount Shown)



WT

Semi Gloss White



MB

Matte Black

SPECIALTY FINISH

(Stem Mount Shown)



FLG

Flannel Gray



PNA

Painted Natural Aluminum



TBZ

Textured Bronze



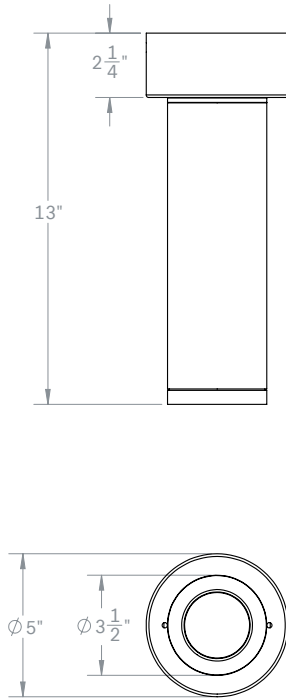
TGP

Textured Graphite

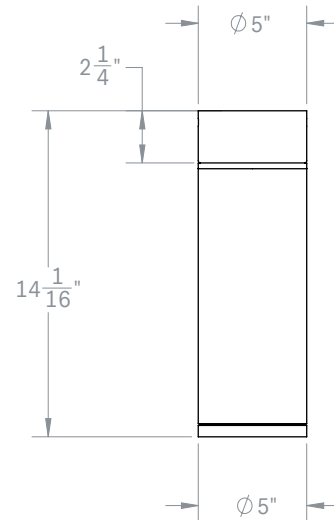
Project: _____
Type: _____
Note: _____

GYROSHIFT CYLINDERS - 3", 5" LED FLUSH

3" GyroShift Cylinder, Flush Mount
LF3-SFT



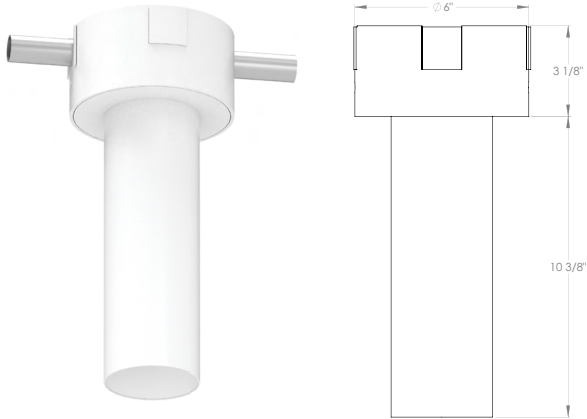
5" GyroShift Cylinder, Flush Mount
LF5-SFT



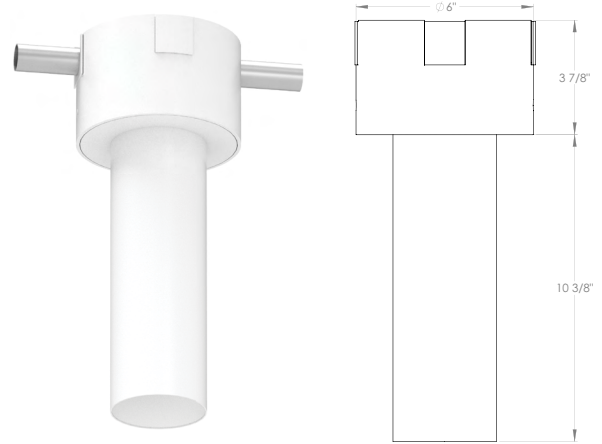
Project: _____
Type: _____
Note: _____

GYROSHIFT CYLINDERS - 3", 5" LED FLUSH

3" CC1 & CC2 CANOPY OPTIONS

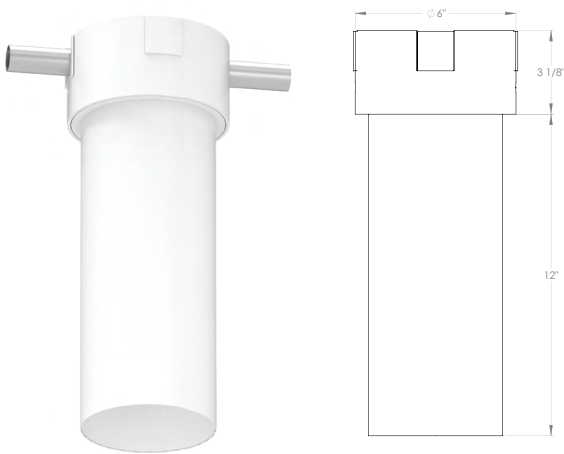


CC1

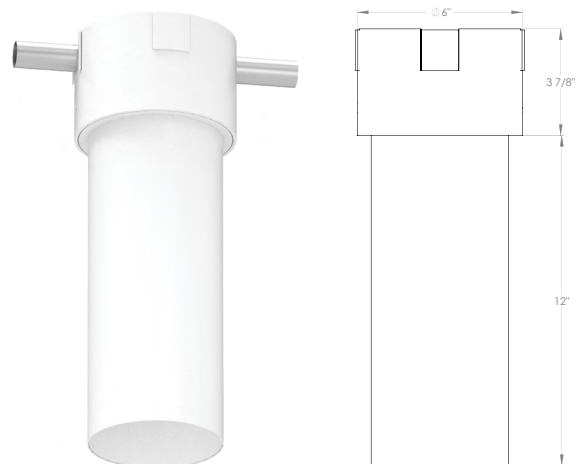


CC2

5" CC1 & CC2 CANOPY OPTIONS



CC1



CC2

Project: _____

Type: _____

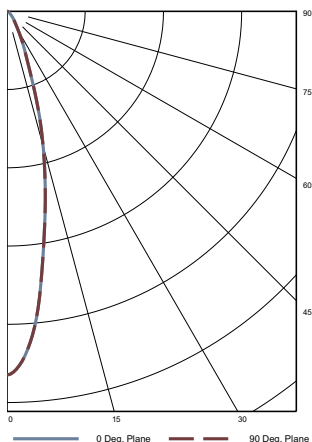
Note: _____

GYROSHIFT CYLINDERS - 3", 5" LED FLUSH

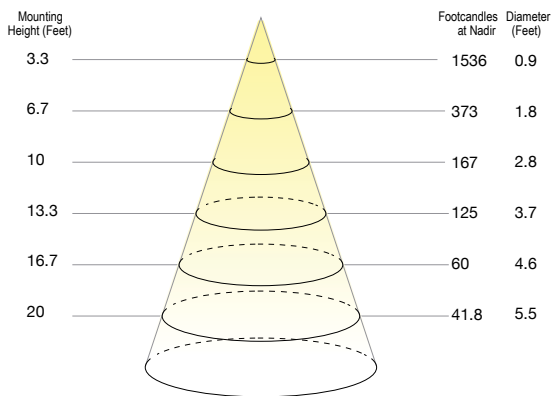
PHOTOMETRICS

5" GyroShift Cylinder (2700K, 90CRI, 10° Optic, 30W)

Polar Plot



Cone of Light Tabulation



VOLTAGE	CURRENT	POWER
120 VAC	0.25A	30W

POWER FACTOR	FREQUENCY	CURRENT THD
0.9	60 Hz	<20%

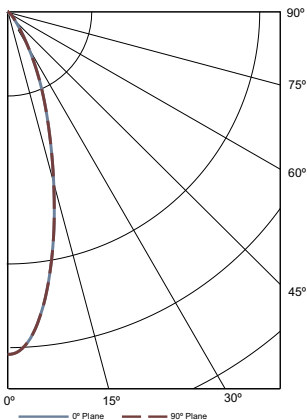
Summary of Results

Spacing Criteria	Total Lumen Output:	1816 lm
0-180: 0.28	Luminaire Efficacy:	61 lm/w
90-270: 0.28	Maximum Candela:	16726 cd

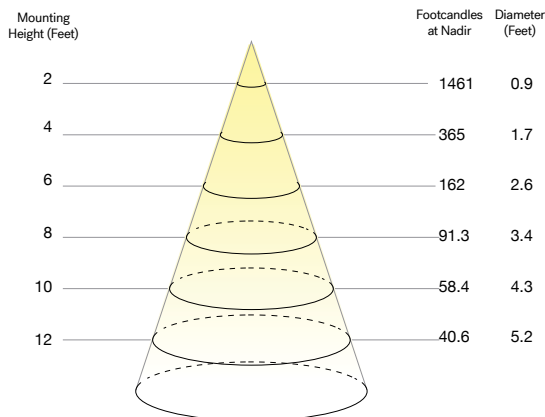
ZONE	LUMENS	% OF LUMINAIRE
0-30	1650	90.9%
0-60	1788	98.5%
0-90	1816	100%

5" GyroShift Cylinder (2700K, 90CRI, 30° Optic, 30W)

Polar Plot



Cone of Light Tabulation



VOLTAGE	CURRENT	POWER
120 VAC	0.25A	30W

POWER FACTOR	FREQUENCY	CURRENT THD
0.9	60 Hz	<20%

Summary of Results

Spacing Criteria	Total Lumen Output:	1655 lm
0-180: 0.42	Luminaire Efficacy:	55 lpw
90-270: 0.42	Maximum Candela:	5844 cd

ZONE	LUMENS	% OF LUMINAIRE
0-40	1344	81.2%
0-60	1627	98.3%
0-90	1655	100%

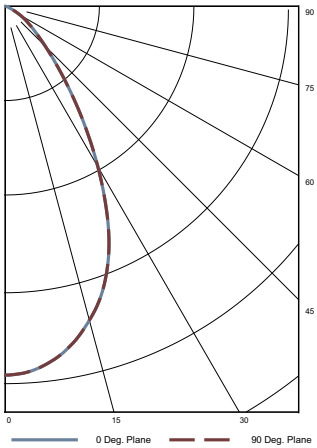
Project: _____
Type: _____
Note: _____

GYROSHIFT CYLINDERS - 3", 5" LED FLUSH

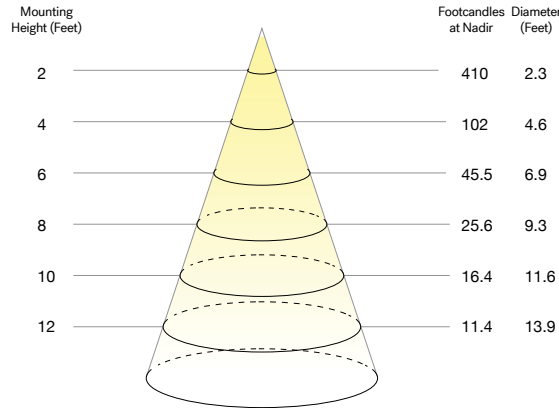
PHOTOMETRICS

5" GyroShift Cylinder (2700K, 90CRI, 50° Optic, 30W)

Polar Plot



Cone of Light Tabulation



VOLTAGE	CURRENT	POWER
120 VAC	0.25A	30W

POWER FACTOR	FREQUENCY	CURRENT THD
0.9	60 Hz	<20%

Summary of Results

Spacing Criteria	Total Lumen Output: 1762 lm
0-180: 0.94	Luminaire Efficacy: 59 lpw
90-270: 0.94	Maximum Candela: 1639 cd

ZONE	LUMENS	% OF LUMINAIRE
0-40	1410	80.1%
0-60	1714	97.3%
0-90	1762	100%

Project: _____
Type: _____
Note: _____

GYROSHIFT CYLINDERS - 3", 5" LED FLUSH

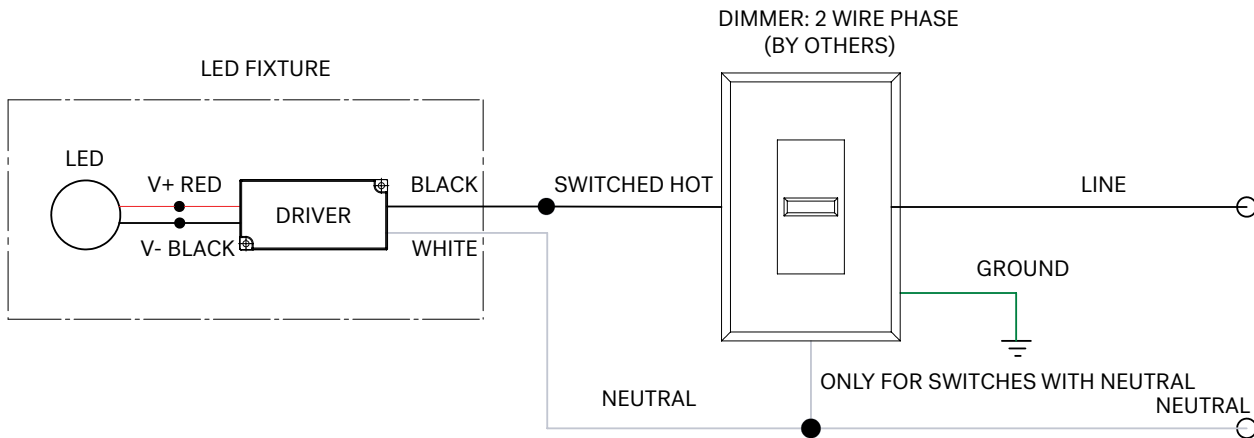
DIMMING DRIVER COMPATIBILITY

DIMMER LIST

"S" STANDARD DRIVER PHASE-CUT DIMMERS

DIMMER INFORMATION			
MANUFACTURER	PRODUCT	MANUFACTURER	PRODUCT
Cooper	DAL06P	Lightolier	ZP260QEW
	DLC03P	Lutron	CT103P
	SLC03P		DV600P
Leviton	6161		DVCL-153P
	6631-2		DVELV303P
	6633-P		FAELV500
	6673-10W		LG600P
	6683-IW		MAELV600
	IPE04		S600P
	IPI06-1LZ		S-603PG
	VPE06		SELV300P
			TG-600P
			TGCL-153P

S- STANDARD DRIVER 2 WIRE PHASE DIMMING



NOTE: Wiring diagrams are examples of typical installations intended to illustrate the number of wires that must be run to fixture. These diagrams are not intended to specify all equipment necessary for a given dimming circuit. Refer to specific dimmer manufacturer's documentation for details.

Project: _____
Type: _____
Note: _____

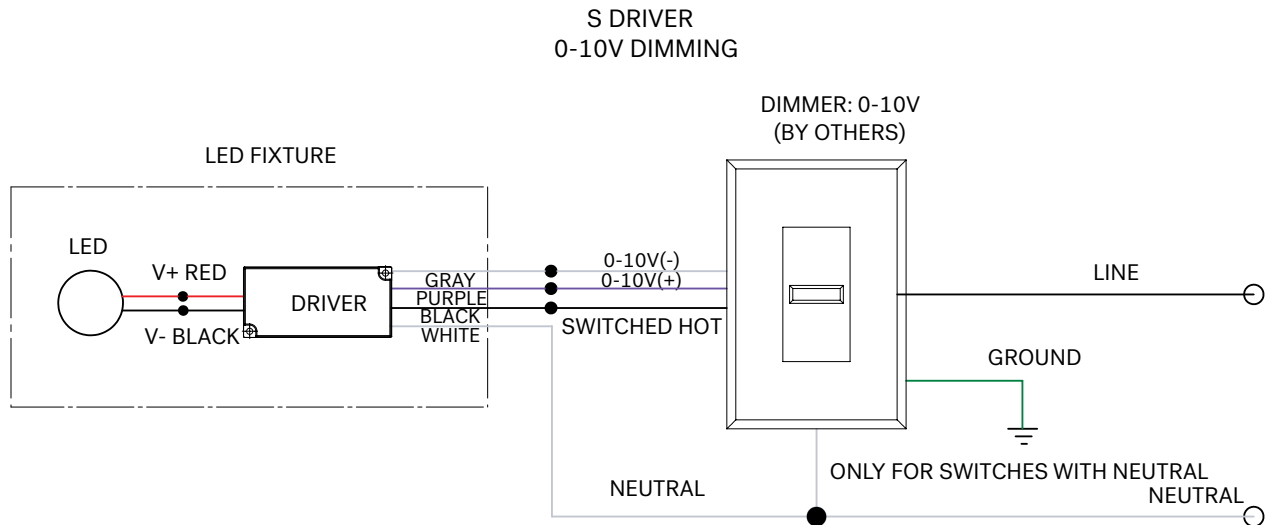
GYROSHIFT CYLINDERS - 3", 5" LED FLUSH

DIMMING DRIVER COMPATIBILITY

DIMMER LIST

"S" STANDARD DRIVER 0-10V

DIMMER INFORMATION	
MANUFACTURER	PRODUCT
Leviton	IP740-DLZ
Lightolier	ZP600FAM120
	V2000FAMU
Lutron	DVTV
	NTFTV
Crestron	CLS-EXP-DIMFLV
	DIN-4DIMFLV4
	DIN-A08
	GLX-DIMFLV8



NOTE: Wiring diagrams are examples of typical installations intended to illustrate the number of wires that must be run to fixture. These diagrams are not intended to specify all equipment necessary for a given dimming circuit. Refer to specific dimmer manufacturer's documentation for details.

Project: _____
Type: _____
Note: _____

GYROSHIFT CYLINDERS - 3", 5" LED FLUSH

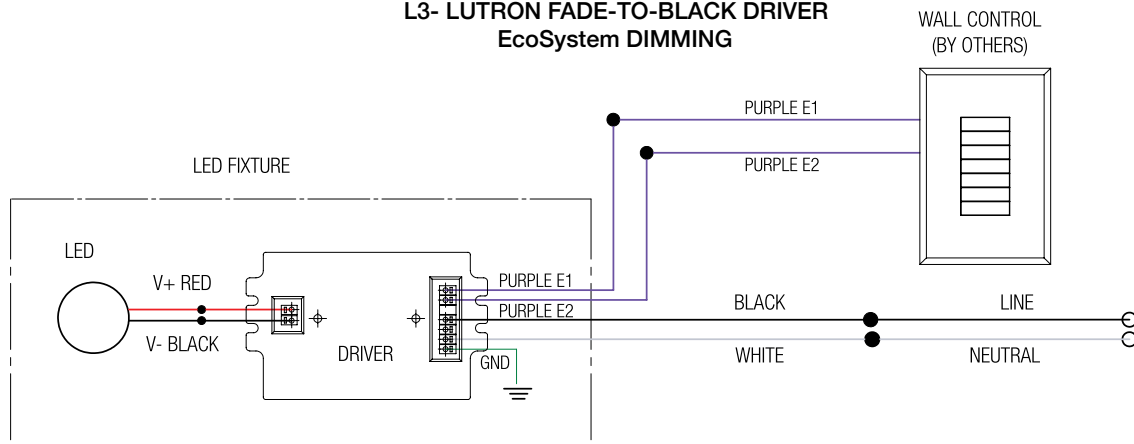
DIMMING DRIVER COMPATIBILITY

DIMMER LIST

"L3" LUTRON FADE-TO-BLACK

DIMMER INFORMATION	
MANUFACTURER	PRODUCT
Lutron	LQSE-2ECO-D
	RMJ-ECO32-DV-B
	FCJ/FCJS-ECO
	QSN-1ECO-S
	QSN-2ECO-S
	EcoSystem ESN
	Grafik Eye QS with EcoSystem
	Quantum

L3- LUTRON FADE-TO-BLACK DRIVER EcoSystem DIMMING

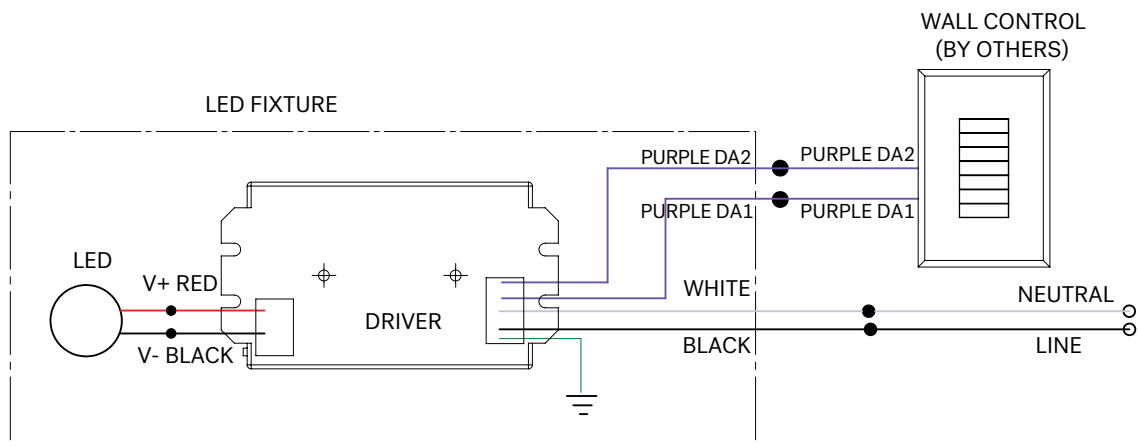


NOTE: Wiring diagrams are examples of typical installations intended to illustrate the number of wires that must be run to fixture. These diagrams are not intended to specify all equipment necessary for a given dimming circuit. Refer to specific dimmer manufacturer's documentation for details.

GYROSHIFT CYLINDERS - 3", 5" LED FLUSH

DIMMING DRIVER COMPATIBILITY

EL1- eldoLED DRIVER DALI DIMMING



NOTE: Wiring diagrams are examples of typical installations intended to illustrate the number of wires that must be run to fixture. These diagrams are not intended to specify all equipment necessary for a given dimming circuit. Refer to specific dimmer manufacturer's documentation for details.

Project: _____
Type: _____
Note: _____

GYROSHIFT CYLINDERS - 3", 5" LED FLUSH

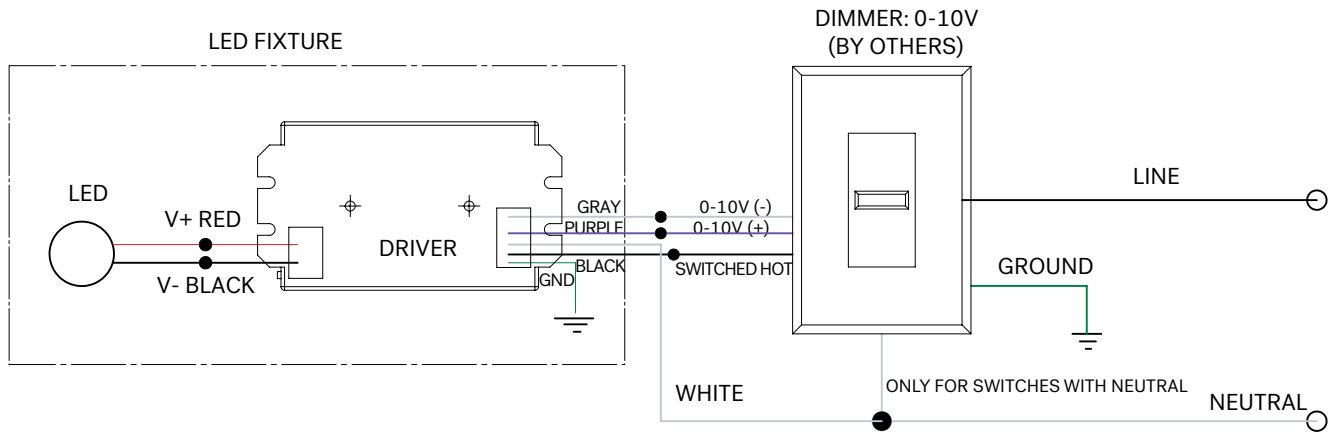
DIMMING DRIVER COMPATIBILITY

DIMMER LIST

"EL2" eIdoLED 0-10V 1%

DIMMER INFORMATION	
MANUFACTURER	PRODUCT
Leviton	IP740-DLZ
Lightolier	ZP600FAM120
Lutron	DVTV
	NTFTV
	NFTV
Crestron	CLS-EXP-DIMFLV
	DIN-4DIMFLV4
	DIN-A08
	GLX-DIMFLV8

EL2- eIdoLED DRIVER 0-10V DIMMING

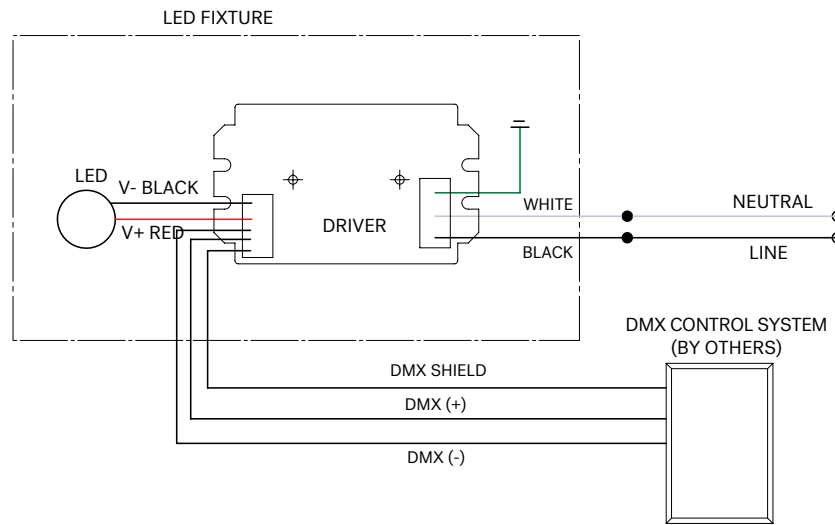


NOTE: Wiring diagrams are examples of typical installations intended to illustrate the number of wires that must be run to fixture. These diagrams are not intended to specify all equipment necessary for a given dimming circuit. Refer to specific dimmer manufacturer's documentation for details.

GYROSHIFT CYLINDERS - 3", 5" LED FLUSH

DIMMING DRIVER COMPATIBILITY

DMX DRIVER
WIRING DIAGRAM



NOTE: Wiring diagrams are examples of typical installations intended to illustrate the number of wires that must be run to fixture. These diagrams are not intended to specify all equipment necessary for a given dimming circuit. Refer to specific dimmer manufacturer's documentation for details.