

READ AND FOLLOW ALL SAFETY INSTRUCTIONS! SAVE THESE INSTRUCTIONS AND DELIVER TO OWNER AFTER INSTALLATION.

⚠ WARNING: RISK OF ELECTRIC SHOCK

- Before installation, servicing, or performing routine maintenance **DISCONNECT POWER BY TURNING OFF THE CIRCUIT breakers** both to the outlet box and to its associated wall switch
- Installation and service of luminaires should be performed by a qualified licensed electrician in accordance with all local and National Electrical Codes
- **DO NOT** install damaged product
- Verify that supply voltage is correct by comparing it with the luminaire label information
- All wiring connections should be capped with UL approved recognized wire connectors

⚠ WARNING: RISK OF INJURY

- Allow luminaire to cool before servicing and performing maintenance
- Follow all manufacturer's warnings and restrictions for: driver type, mounting locations, replacement and recycling
- Wear safety glasses and gloves when installing, maintaining or servicing
Avoid direct eye exposure to the light source while it is on

⚠ WARNING

- **DO NOT** separate any other wires that may be in the box
- **DO NOT** damage the insulation of older wiring
In regular circumstances the Black wire will be the "Hot" lead and the WHITE wire will be the "Neutral" or "Common" lead
A GREEN or BARE COPPER wire is "Ground". In older building it is always good practice to reconfirm the polarity of the wiring

NOTICE

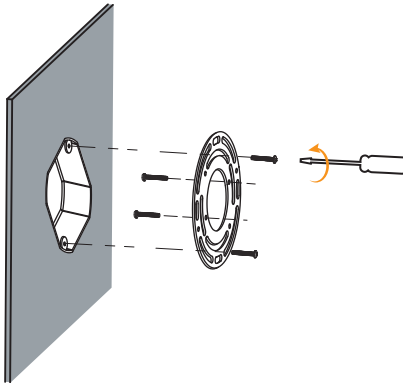
- This fixture is designed to be mounted on a correctly installed standard round or octagon box or a through wiring box with a plaster frame. The box must be securely mounted to the structure of the building. The crossbar and hardware supplied should be used. Directly mounting the fixture to the outlet box may make it impossible to correctly align the fixture.

⚠ WARNING: RISK OF PRODUCT DAMAGE

- Never connect components under load
- Do not touch the yellow surface of the LED as it may damage the light engine

STEP 1 - INSTALL COVER PLATE

ATTACH COVER PLATE TO JUNCTION-BOX WITH SCREWS (8-32 x 3/8")



STEP 2 - MAKE ELECTRICAL CONNECTION

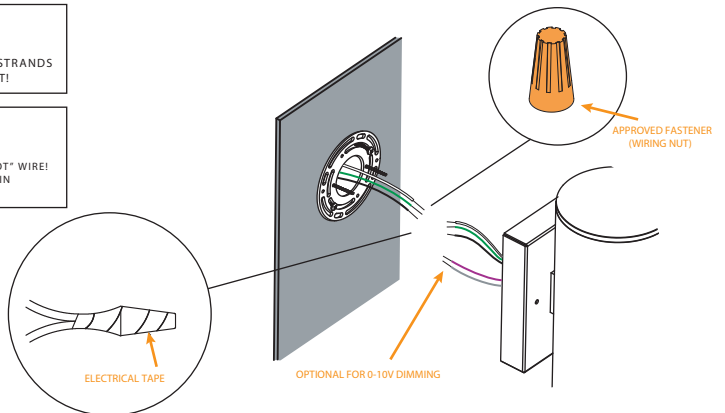
ATTACH WIRES WITH THE SAME COLOR USING APPROVED FASTENERS OR ELECTRICAL TAPE

⚠ WARNING

MAKE SURE THAT THERE IS NO EXPOSED WIRE OR STRANDS THAT COULD CAUSE A DANGEROUS SHORT CIRCUIT!

⚠ WARNING

NEVER FASTEN THE GROUND WIRE TO THE BLACK OR "HOT" WIRE! FAILURE TO FOLLOW THIS INSTRUCTION COULD RESULT IN SERIOUS INJURY OR DEATH!



STEP 3 - CANOPY COVER

ATTACH CANOPY TO PLATE WITH STUD (8-32 x 3/8") AND BALL NUTS

