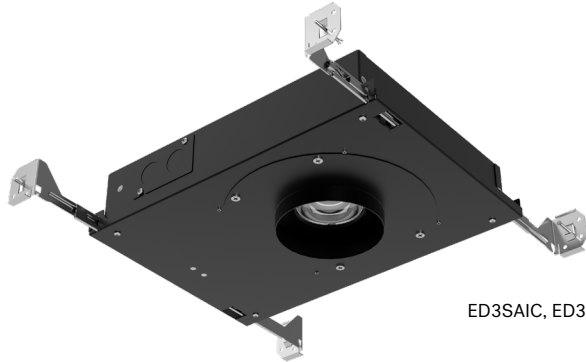
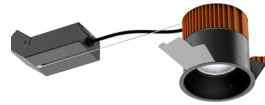


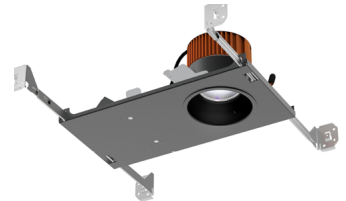
## ECO 3" LED DOWNLIGHT



ED3SAIC, ED3LSAIC



ED3RM, ED3LRIC



ED3NC, ED3LNIC

LED LIGHT ENGINE	
RATED WATTAGES	21W, 15W, 12W
DELIVERED LUMENS	Up to 2360 lm
EFFICACY	Up to 132 LPW
CCT @ 90CRI	2700K, 3000K, 3500K, 4000K, Warm Dim
COLOR QUALITY	90+ CRI, 2-Step SDCM
LED LIFETIME	>55,000 hours @ L80

POWER SUPPLY	
INPUT VOLTAGE	120/277V 50/60Hz
DIMMING	TRIAC, ELV and 0-10V, dims to 1%
SERVICABILITY	Below ceiling access

DELIVERED LUMENS MATRIX				
ED3 SAIC (19.9W)	10° OPTIC	30° OPTIC	50° OPTIC	80° OPTIC
2700K (90CRI)	2013 lm	2104 lm	1921 lm	1357 lm
3000K (90CRI)	2143 lm	2240 lm	2044 lm	1445 lm
3500K (90CRI)	2205 lm	2304 lm	2103 lm	1486 lm
4000K (90CRI)	2258 lm	2360 lm	2154 lm	1522 lm

### TRIM OPTIONS

- Fixed or Adjustable
- Round or Square
- Standard or Trimless
- Wall Wash
- Wet Location

### TRIM COLORS

- White
- Black
- Champagne
- Champagne w/White Flange
- Black w/White Flange
- Silver w/White Flange

### HOUSING

- New Construction includes (2) galvanized steel adjustable hanger bars
- Remodel option available
- 5/8"-2" ceiling thickness
- Min Plenum Height: 2 1/2" Shallow SAIC, 3 1/2" RM/NC/RIC/NIC models with ST Trim
- Ceiling Material: Drywall, T-bar grid
- Steel junction box with up to (4) 1/2" knockouts
- ASTM E283 Air Tight compliant
- SAIC models are CCEA compliant (Note: polycell spray-in foam insulation must be kept 3" from housing)

ED3 NIC, RIC (13.4W)	10° OPTIC	30° OPTIC	50° OPTIC	80° OPTIC
Warm Dim (98 CRI, R9>90)	868 lm	938 lm	846 lm	604 lm

ED3 SAIC (19.4W)	10° OPTIC	30° OPTIC	50° OPTIC	80° OPTIC
Warm Dim (98 CRI, R9>90)	1251 lm	1352 lm	1220 lm	871 lm

ED3L (11.4W)	10° OPTIC	30° OPTIC	50° OPTIC	80° OPTIC
2700K (90CRI)	1279 lm	1337 lm	1220 lm	862 lm
3000K (90CRI)	1362 lm	1423 lm	1299 lm	918 lm
3500K (90CRI)	1401 lm	1464 lm	1336 lm	944 lm
4000K (90CRI)	1435 lm	1499 lm	1368 lm	967 lm

### LISTING/WARRANTY

- cULus Listed
- UL Listed for Damp Location (All Styles)
- IC Rated and Non IC Rated Available
- CCEA Approved (SAIC Models)
- Five (5) years limited warranty
- UL Listed for Wet Location (Wet Location Trim Style)
- CA Title 24-JA8 Compliant (SAIC, NIC & RIC Models)
- ASTM E283 Certified Airtight
- Compliant with CEC Title 24 - JA10 flicker requirements

SILENT VU™ OPTICS TECHNOLOGY	
OPTICS	50° Installed, 10°, 30°, 80° available
ADJUSTABLE	0° to 45° tilt (Adjustable housings only)
MEDIA	Clear, Solite, Frosted, Linear Spread, Hex Louver



Project: \_\_\_\_\_

Type: \_\_\_\_\_

Note: \_\_\_\_\_

## ECO 3" LED DOWNLIGHT

### ORDER MATRIX

#### ED3

#### ECO 3" HOUSING + LIGHT ENGINE ORDER MATRIX (Example: ED3SAIC-309050-21S)

HOUSING BASE		LED PERFORMANCE			DRIVER ASSEMBLY	
FAMILY APERTURE	INSTALLATION TYPE	CCT	CRI	OPTIC	WATTAGE	LED DIMMING DRIVER
<b>ED3</b> ECO 3"	<b>SAIC</b> Shallow Plenum Adjustable IC	<b>-27</b> 2700K	<b>90</b> 90 CRI	<b>50</b> 50° Flood Installed  10°, 30°, 80° optics available from the Additional Optics Accessories table below	<b>-21</b> 19.9W	<b>S<sup>3</sup></b> Universal Dimming Driver (1%-100% 0-10V, TRIAC, ELV, 120V/277V)
	<b>NC</b> New Construction Fixed	<b>-30</b> 3000K				
	<b>RM</b> Remodel Fixed	<b>-35</b> 3500K				
		<b>-40</b> 4000K				

FAMILY APERTURE	INSTALLATION TYPE	CCT	CRI	OPTIC	WATTAGE	LED DIMMING DRIVER
<b>ED3</b> ECO 3"  <b>Warm Dim</b>	<b>SAIC</b> Shallow Plenum Adjustable IC	<b>-WD</b> 1800K-3000K  <b>Warm Dim</b>	<b>98</b> 98 CRI  <b>Warm Dim</b>	<b>50</b> 50° Flood Installed  10°, 30°, 80° optics available from the Additional Optics Accessories table below	<b>-15<sup>1</sup></b> 13.4W NIC or RIC Installation Type Only	<b>S<sup>3</sup></b> Universal Dimming Driver (1%-100% 0-10V, TRIAC, ELV, 120V/277V)
	<b>NIC</b> New Construction Fixed IC				<b>-21<sup>1,2</sup></b> 19.4W SAIC Installation Type Only	
	<b>RIC</b> Remodel Fixed IC					

1. SAIC Installation Type and Wattage Code -21.  
NIC or RIC Installation Type and Wattage Code -15.

2. Wattage Code -21 Title 24 JA-8 compliant only with 10°, 30° or 50° optic installed.  
3. TRIAC, ELV dimming for 120V only.

#### ED3L

#### ECO 3" HOUSING + LIGHT ENGINE ORDER MATRIX (Example: ED3LSAIC-309050-12S)

HOUSING BASE		LED PERFORMANCE			DRIVER ASSEMBLY	
FAMILY APERTURE	INSTALLATION TYPE	CCT	CRI	OPTIC	WATTAGE	LED DIMMING DRIVER
<b>ED3L</b> ECO 3" LPD	<b>SAIC</b> Shallow Plenum Adjustable IC	<b>-27</b> 2700K	<b>90</b> 90 CRI	<b>50</b> 50° Flood Installed  10°, 30°, 80° optics available from the Additional Optics Accessories table below	<b>-12</b> 11.3/11.4W	<b>S<sup>1</sup></b> Universal Dimming Driver (1%-100% 0-10V, TRIAC, ELV, 120V/277V)
	<b>NIC</b> New Construction Fixed IC	<b>-30</b> 3000K				
	<b>RIC</b> Remodel Fixed IC	<b>-35</b> 3500K				
		<b>-40</b> 4000K				

1. TRIAC, ELV dimming for 120V only.

Project: \_\_\_\_\_

Type: \_\_\_\_\_

Note: \_\_\_\_\_

## ECO 3" LED DOWNLIGHT

### ORDER MATRIX

#### TRIMMED (FLANGED)

#### ECO 3" DOWNLIGHT TRIM ORDER MATRIX (Example: ED3-RSTWT)

FAMILY APERTURE	TRIM SHAPE	TRIM POSITION	TRIM STYLE	TRIM FINISH	
<b>ED3-</b> ECO 3" Flanged	<b>R</b> Round	<b>F</b> Fixed	<b>ST</b> Standard	<b>WT</b> White	<b>BW</b> <sup>2</sup> Black w/White Flange
	<b>S</b> Square	<b>A</b> Adjustable	<b>WL</b> <sup>1</sup> Wet Location	<b>BK</b> Black	<b>SW</b> <sup>2</sup> Silver w/White Flange
			<b>WW</b> <sup>1</sup> Wall Wash	<b>CN</b> Champagne	<b>CW</b> <sup>2</sup> Champagne w/White Flange

1. WL (Wet Location) and WW (Wall Wash) style only available in F (Fixed) and in flanged trim.

2. Color option available in ST (Standard) style only.

\* WW (Wall Wash) style trim ships with recommended 80° optic.

#### TRIMLESS MUD KIT (REFLECTOR + MUD PLATE)

#### ECO 3" DOWNLIGHT TRIMLESS ORDER MATRIX (Example: ED3-KRFSTWT)

FAMILY APERTURE	KIT	TRIM SHAPE	REFLECTOR POSITION	TRIM STYLE	TRIM FINISH
<b>ED3-</b> ECO 3" Trimless	<b>K</b> (Reflector and Mudplate Kit)	<b>R</b> Round	<b>F</b> Fixed	<b>ST</b> SAIC (Shallow Plenum Adjustable housing types only)	<b>WT</b> White
		<b>S</b> <sup>1</sup> Square	<b>A</b> Adjustable	<b>RM</b> NC (Fixed), RM (Remodel) housing types only	<b>BK</b> Black
					<b>CN</b> Champagne

1. S (Square) and A (Adjustable) not available for RM Reflector Style.

#### TRIMLESS REFLECTOR

#### ECO 3" DOWNLIGHT TRIMLESS ORDER MATRIX (Example: ED3-RFTLWT or ED3-RRMTLWT)

FAMILY APERTURE	UNKITTED	TRIM SHAPE	REFLECTOR POSITION	TRIM STYLE	TRIM FINISH
<b>ED3-</b> ECO 3" Trimless	(Blank)	<b>R</b> Round	<b>F</b> Fixed	<b>TL</b> SAIC (Shallow Plenum Adjustable housing types only)	<b>WT</b> White
		<b>S</b> <sup>1</sup> Square	<b>A</b> Adjustable	<b>RM</b> NC (Fixed), RM (Remodel)	<b>BK</b> Black
			Blank (NC/RM)		<b>CN</b> Champagne

1. S (Square) not available for RM Reflector Style.

\* Trimless Reflector Only. Order corresponding Trimless Mud Plate.

#### TRIMLESS MUD PLATE

#### ECO 3" DOWNLIGHT MUD PLATE ORDER MATRIX (Example: ED3-R-TL or ED3-RRMTL)

FAMILY APERTURE	UNKITTED	TRIM SHAPE	TRIM STYLE
<b>ED3-</b> ECO 3" Trimless	(Blank)	<b>R</b> Round	<b>TL</b> SAIC (Shallow Plenum Adjustable housing types only)
		<b>S</b> <sup>1</sup> Square	<b>RM</b> NC (Fixed), RM (Remodel)

1. S (Square) not available for RMTL Mud Plate.

\* Trimless Mud Plate Only. Order corresponding Trimless Reflector

## ECO 3" LED DOWNLIGHT

### ORDER MATRIX

### ACCESSORIES

#### ECO 3" ACCESSORIES FOR ECO, ED3, ED3L, ED3S

ADDITIONAL OPTICS	OPTICAL MEDIA	EMERGENCY OPTIONS
Used With Static White	<b>ED3-CL</b> Clear Lens	<b>EM-1000</b> 25W Remote Inverter
<b>ED3-10-OPTIC</b> 10° Spot	<b>ED3-MP</b> Solite Lens	<b>EM-1002</b> 10W Remote EM Driver
<b>ED3-30-OPTIC</b> 30° Narrow Flood	<b>ED3-FR</b> Frosted Lens	<b>EM-1003-CA</b> 35W Remote Inverter, Title 20
<b>ED3-50-OPTIC</b> 50° Flood	<b>ED3-LS</b> Linear Spread Lens	<b>EM-1004</b> 50W Remote Inverter
<b>ED3-80-OPTIC</b> 80° Wide Flood	<b>ED3-HEX<sup>1</sup></b> Hex Louver	<b>EM-1006</b> 25W Remote Inverter, Title 20
Used With Warm Dim	<b>ED3-MHLDR<sup>2</sup></b> Media Holder	
<b>ED3-10-OPTIC-WD</b> 10° Spot		
<b>ED3-30-OPTIC-WD</b> 30° Narrow Flood		
<b>ED3-50-OPTIC-WD</b> 50° Flood		
<b>ED3-80-OPTIC-WD</b> 80° Wide Flood		

1. MHLDR required when using a Hex Louver

2. MHLDR Required when ordering 2 optical media and only compatible with SAIC & LSAIC

### TRIM ACCESSORIES

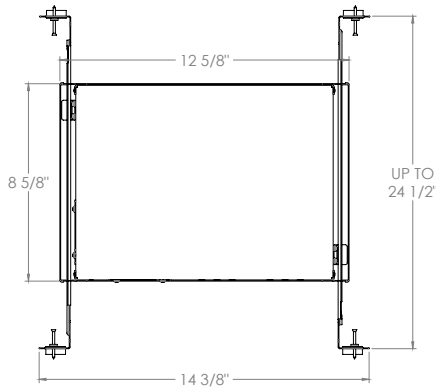
#### ECO 3" TRIM ACCESSORIES ORDER MATRIX (Example: ED3-R-TL)

FAMILY APERTURE	STYLE
<b>ED3-</b> ECO 3"	<b>R-FMA</b> Round Flush Mount Adapter
	<b>S-FMA</b> Square Flush Mount Adapter
	<b>TC1</b> Thick Ceiling Adapter for ceilings 11/16" to 1-1/4"
	<b>TC2</b> Thick Ceiling Adapter for ceilings 1-5/16" to 2"

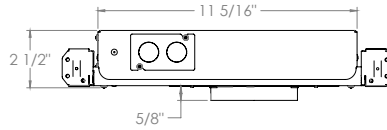
## ECO 3" LED DOWNLIGHT

### HOUSING AND LIGHT ENGINE LINE DRAWINGS

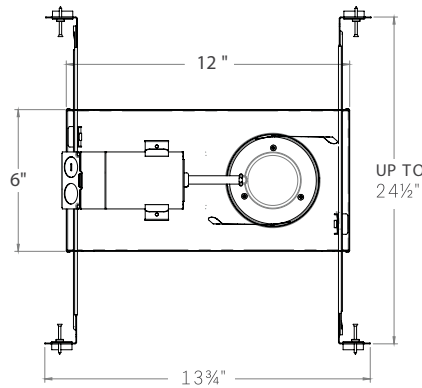
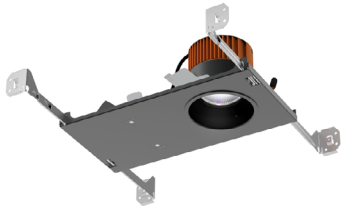
#### ED3SAIC, ED3LSAIC



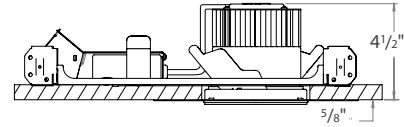
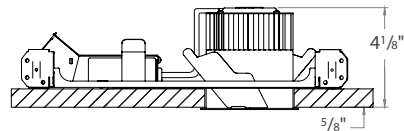
Minimum plenum height 2 1/2"



#### ED3NC, ED3LNIC

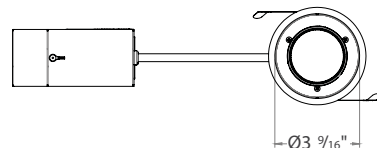
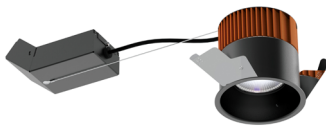


Minimum plenum height 3 1/2"

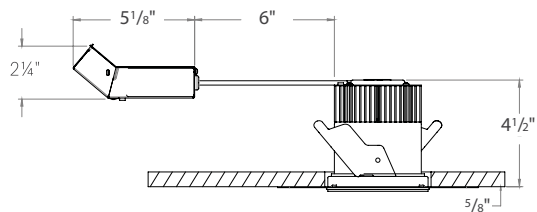
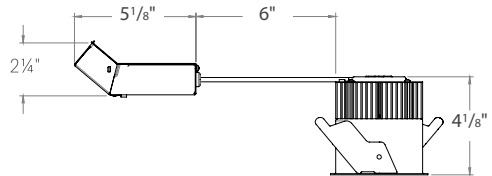


With Trimless Mudplate

#### ED3RM, ED3LRIC



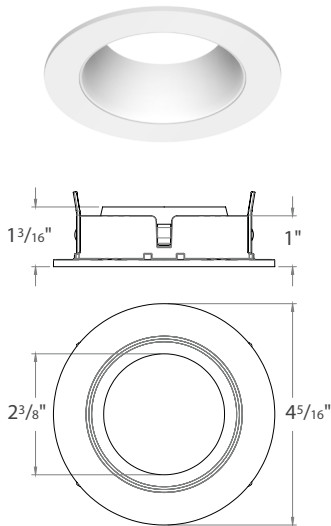
Minimum plenum height 3 1/2"



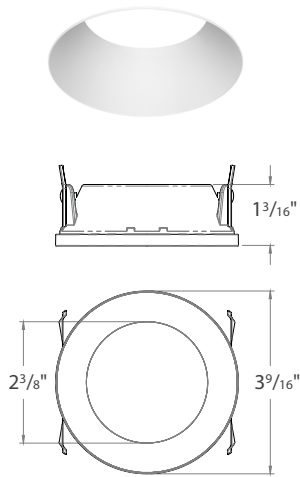
With Trimless Mudplate

## ECO 3" LED DOWNLIGHT

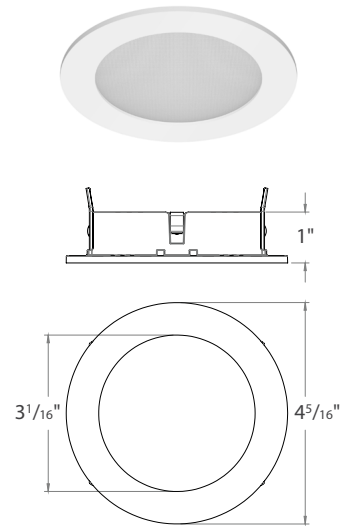
### TRIM STYLES



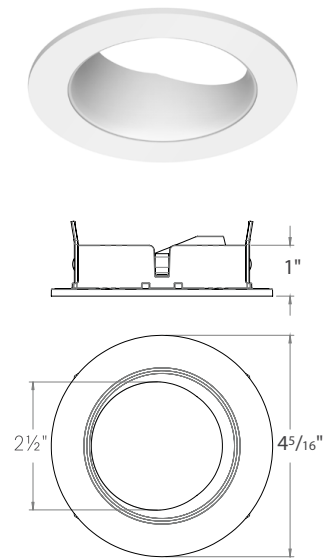
**ED3-RFST**  
**ROUND FIXED STANDARD TRIM**



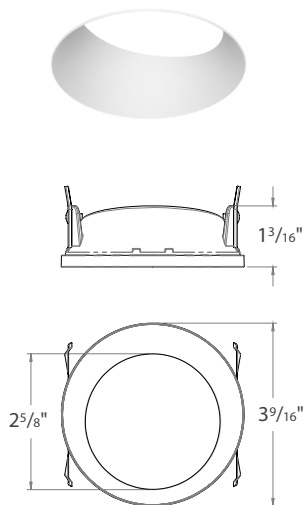
**ED3-RFTL**  
**ROUND FIXED TRIMLESS**  
Trimless Style for use with SAIC modules only.



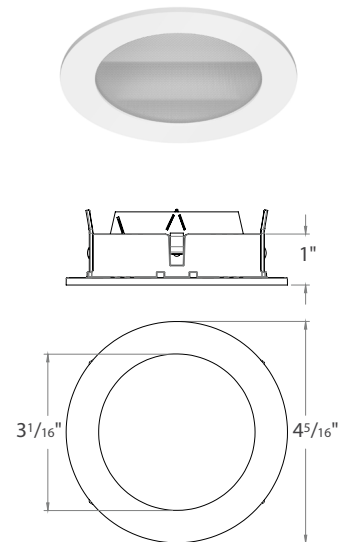
**ED3-RFWL**  
**ROUND FIXED WET LOCATION**



**ED3-RAST**  
**ROUND ADJUSTABLE STANDARD TRIM**  
Adjustable trim styles for use with adjustable SAIC models only.



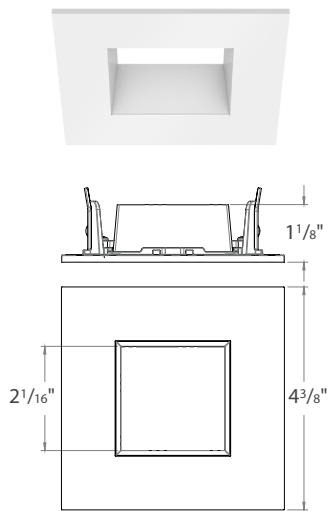
**ED3-RATL**  
**ROUND ADJUSTABLE TRIMLESS**  
Adjustable trim styles for use with adjustable AIC and SAIC models only.



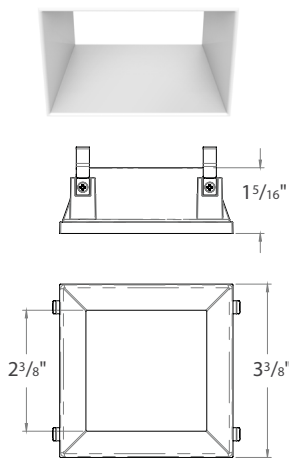
**ED3-RFWW**  
**ROUND FIXED WALL WASH**

**ECO 3" LED DOWNLIGHT**

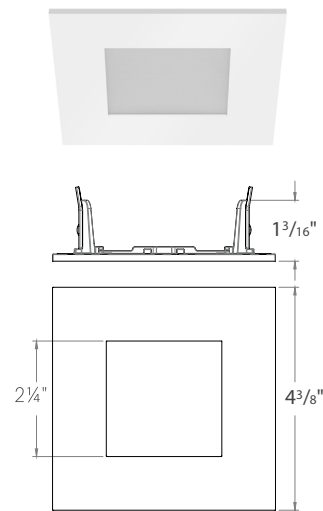
**TRIM STYLES**



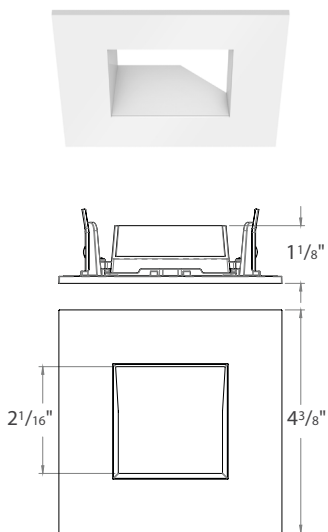
**ED3-SFST**  
**SQUARE FIXED STANDARD TRIM**



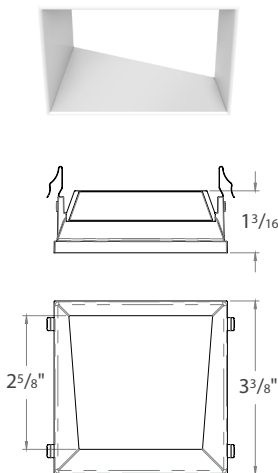
**ED3-SFTL**  
**SQUARE FIXED TRIMLESS**  
Trimless Style for use with SAIC modules only.



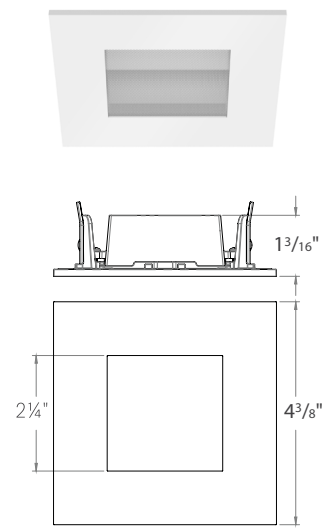
**ED3-SFWL**  
**SQUARE FIXED WET LOCATION**



**ED3-SAST**  
**SQUARE ADJUSTABLE STANDARD TRIM**  
Adjustable trim styles for use with adjustable SAIC models only.



**ED3-SATL**  
**SQUARE ADJUSTABLE TRIMLESS**  
Adjustable trim styles for use with adjustable SAIC models only.



**ED3-SFWW**  
**SQUARE FIXED WALL WASH**

**ECO 3" LED DOWNLIGHT**

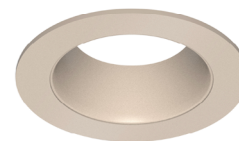
**TRIM FINISHES**



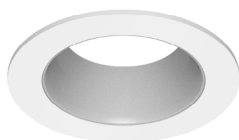
**ED3-RFSTWT**  
WT White Reflector with White Trim



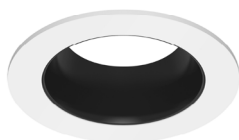
**ED3-RFSTBK**  
BK Black Reflector with Black Trim



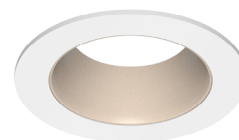
**ED3-RFSTCN**  
CN Champagne Reflector with Champagne Trim



**ED3-RFSTSW**  
SW Silver Reflector with White Trim



**ED3-RFSTBW**  
BK Black Reflector with White Trim



**ED3-RFSTCW**  
CN Champagne Reflector with White Trim



**ED3-SFSTWT**  
WT White Reflector with White Trim



**ED3-SFSTBK**  
BK Black Reflector with Black Trim



**ED3-SFSTCN**  
CN Champagne Reflector with Champagne Trim



**ED3-SFSTSW**  
SW Silver Reflector with White Trim



**ED3-SFSTBW**  
BW Black Reflector with White Trim

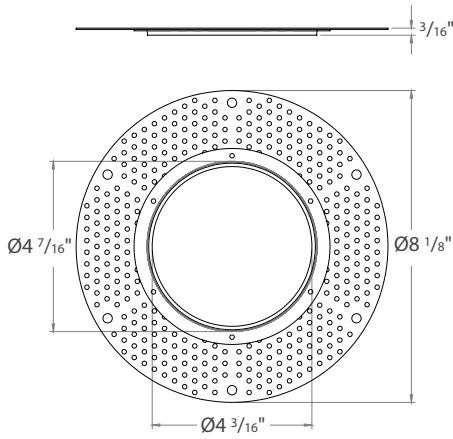


**ED3-SFSTCW**  
CW Champagne Reflector with White Trim

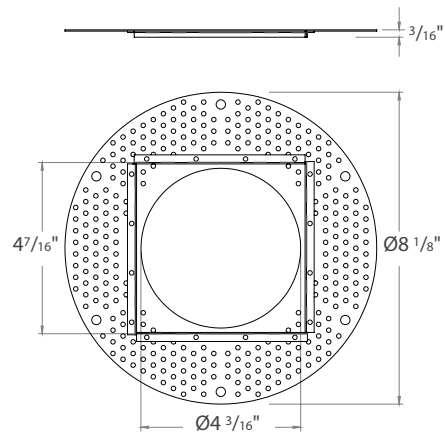


**ECO 3" LED DOWNLIGHT**

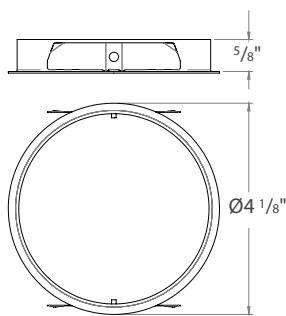
**ACCESSORIES**



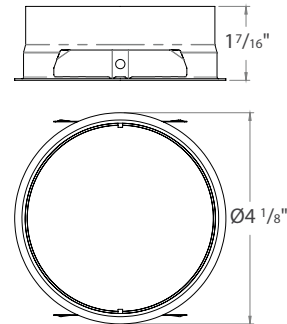
**ED3-R-FMA**  
**ROUND FLUSH MOUNT ADAPTER**



**ED3-S-FMA**  
**SQUARE FLUSH MOUNT ADAPTER**



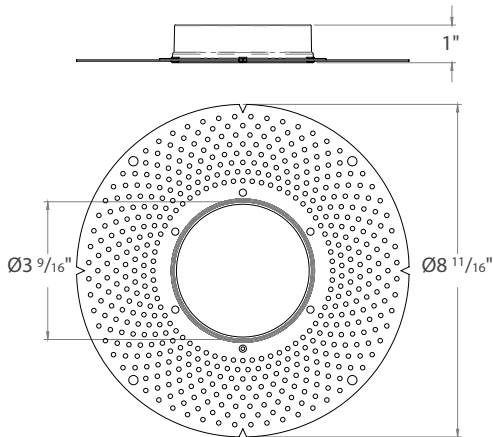
**ED3-TC1**  
**THICK CEILING ADAPTER**  
For ceilings 1-1/16" to 1-1/4"



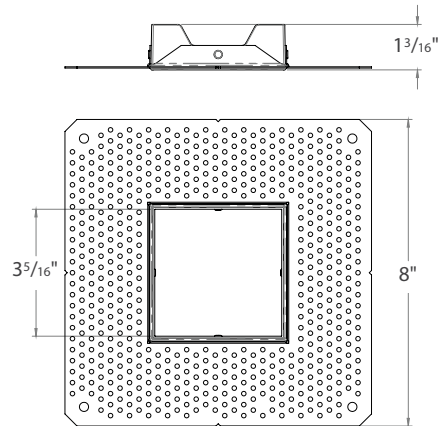
**ED3-TC2**  
**THICK CEILING ADAPTER**  
For ceilings 1-5/16" to 2"

## ECO 3" LED DOWNLIGHT

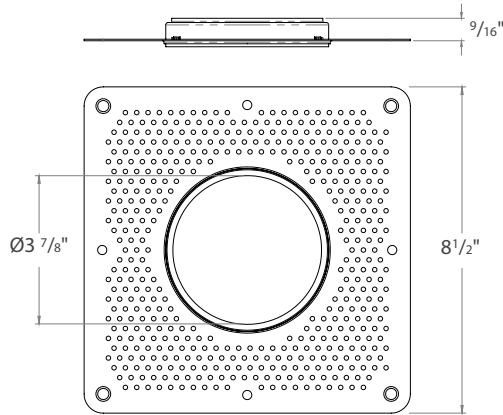
### TRIMLESS ACCESSORIES



**ED3-R-TL**  
**ROUND TRIMLESS MUDPLATE**  
For use with SAIC housings only



**ED3-S-TL**  
**SQUARE TRIMLESS MUDPLATE**  
For use with SAIC housings only



**ED3-R-RMTL**  
**ROUND TRIMLESS MUDPLATE**  
For use with NC, NIC, RM, RIC housings only

Project: \_\_\_\_\_

Type: \_\_\_\_\_

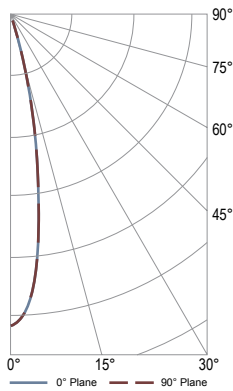
Note: \_\_\_\_\_

## ECO 3" LED DOWNLIGHT

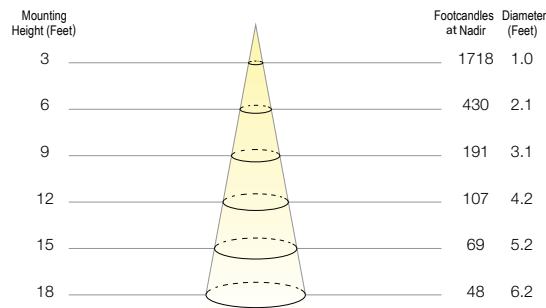
### PHOTOMETRICS

**Eco Downlight 3" SAIC model (2700K, 90 CRI, 10° Optic, 21W)**  
Round, Standard, White Trim

Polar Plot



Cone of Light Tabulation



VOLTAGE	CURRENT	POWER
120.1 VAC	0.17 A	19.9W

POWER FACTOR	FREQUENCY	CURRENT THD
0.992	60 Hz	11.4%

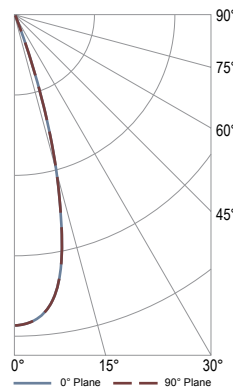
**Summary of Results**

Spacing Criteria	Total Lumen Output:	2013 Lumens
0-180: 0.34	Luminaire Efficacy:	101.2 lm/w
90-270: 0.34	Maximum Candela:	15465 Candela

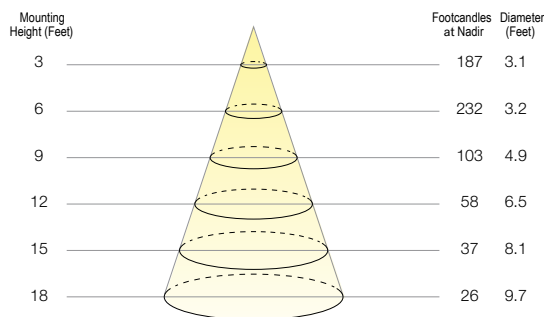
ZONE	LUMENS	% OF LUMINAIRE
0-30	1976	98.1%
0-60	2006	99.6%
0-90	2013	100%

**Eco Downlight 3" SAIC model (2700K, 90 CRI, 30° Optic, 21W)**  
Round, Standard, White Trim

Polar Plot



Cone of Light Tabulation



VOLTAGE	CURRENT	POWER
120 VAC	0.17 A	19.85W

POWER FACTOR	FREQUENCY	CURRENT THD
0.992	60 Hz	11.4%

**Summary of Results**

Spacing Criteria	Total Lumen Output:	2104 Lumens
0-180: 0.52	Luminaire Efficacy:	106 lm/w
90-270: 0.52	Maximum Candela:	8340 Candela

ZONE	LUMENS	% OF LUMINAIRE
0-30	2049	97.4%
0-60	2098	99.7%
0-90	2104	100%

Project: \_\_\_\_\_

Type: \_\_\_\_\_

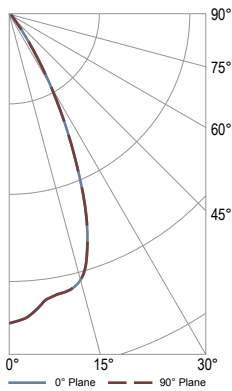
Note: \_\_\_\_\_

## ECO 3" LED DOWNLIGHT

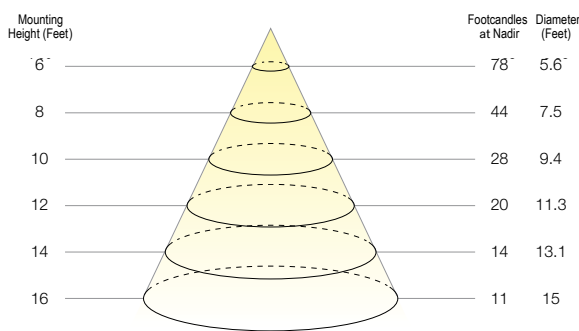
### PHOTOMETRICS

**Eco Downlight 3" SAIC model (2700K, 90 CRI, 50° Optic, 21W)**  
Round, Standard, White Trim

Polar Plot



Cone of Light Tabulation



VOLTAGE	CURRENT	POWER
120 VAC	0.17 A	19.85W

POWER FACTOR	FREQUENCY	CURRENT THD
0.992	60 Hz	11.4%

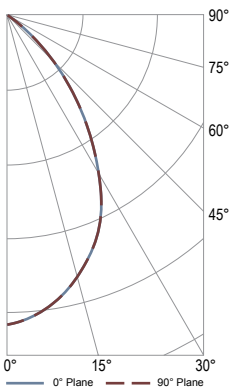
**Summary of Results**

Spacing Criteria	Total Lumen Output:	1921 Lumens
0-180: 0.84	Luminaire Efficacy:	97 lm/w
90-270: 0.84	Maximum Candela:	2815 Candela

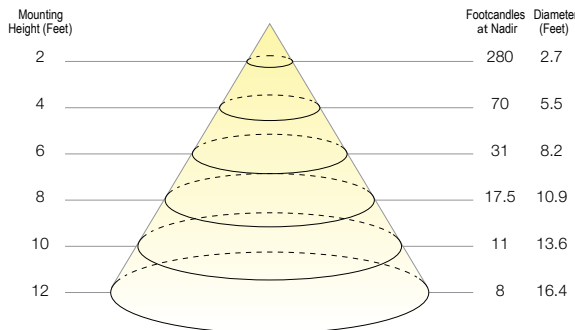
ZONE	LUMENS	% OF LUMINAIRE
0-40	1874.9	97.6%
0-60	1913.5	99.6%
0-90	1921	100%

**Eco Downlight 3" SAIC model (2700K, 90 CRI, 80° Optic, 21W)**  
Round, Standard, White Trim

Polar Plot



Cone of Light Tabulation



VOLTAGE	CURRENT	POWER
120.0 VAC	0.17 A	19.85W

POWER FACTOR	FREQUENCY	CURRENT THD
0.992	60 Hz	11.4%

**Summary of Results**

Spacing Criteria	Total Lumen Output:	1357 Lumens
0-180: 1.0	Luminaire Efficacy:	68 lm/w
90-270: 1.0	Maximum Candela:	1119 Candela

ZONE	LUMENS	% OF LUMINAIRE
0-40	1080	79.6%
0-60	1334	98.3%
0-90	1357	100%

Project: \_\_\_\_\_

Type: \_\_\_\_\_

Note: \_\_\_\_\_

## ECO 3" LED DOWNLIGHT

**FOR DRIVER TYPE "S2"**

Phase Control Dimming Driver, ED3L only

### COMPATIBLE PHASE CONTROL DIMMERS

MFG	MODEL	MFG	MODEL
Lutron	S-603PG	Leviton	6631-LW
Lutron	DVCL-153P	Leviton	VPE06
Lutron	TGCL-153P	Leviton	6683-IW
Lutron	S600P	Leviton	6161
Lutron	DVELV303P	Leviton	6633-P
Lutron	SELV300P	Leviton	IPE04
Lutron	TG-600P	Cooper	DLC03P
Lutron	LG600P	Cooper	SLC03P
Lutron	CT103P	Cooper	DALO6P
Lutron	MAELV600	Lightolier	ZP260QEW
Lutron	FAELV500		

Compatible dimmer information provided by the dimming driver manufacturer