

# 5" Adjustable Twist Cylinder

## 35W LED Pendant (Round)

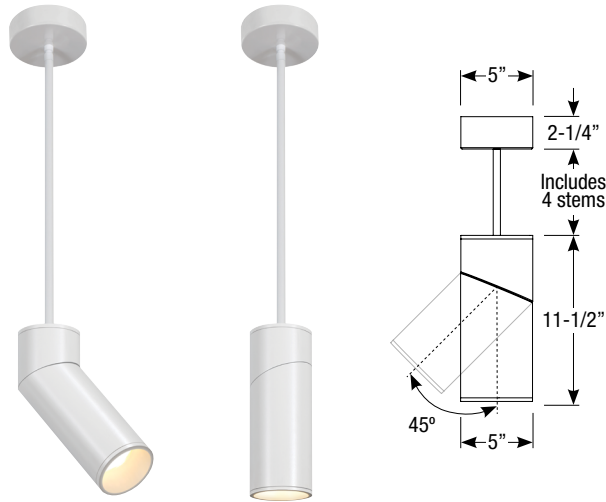
Catalog #:

Type:


Project:

Date:

Notes:



### STANDARD FINISHES

 <b>ABL</b> (Aegean Blue)	 <b>PNC</b> (Painted Natural Copper)
 <b>BB</b> (Burnished Bronze)	 <b>RD</b> (Red)
 <b>BK</b> (Gloss Black)	 <b>SGR</b> (Sage Green)
 <b>BLU</b> (Blue)	 <b>SND</b> (Sand)
 <b>DVG</b> (Dove Gray)	 <b>SS</b> (Satin Silver)
 <b>FLG</b> (Flannel Gray)	 <b>TBZ</b> (Textured Bronze)
 <b>GA</b> (Galvanized)	 <b>TGP</b> (Textured Graphite)
 <b>GWT</b> (Gloss White)	 <b>TNG</b> (Tangerine)
 <b>LG</b> (Lime Green)	 <b>TTL</b> (Tahitian Teal)
 <b>MB</b> (Matte Black)	 <b>WT</b> (Semi Gloss White)
 <b>MBL</b> (Midnight Blue)	 <b>YEL</b> (Yellow)
 <b>PNA</b> (Painted Natural Aluminum)	

### Electrical Data

CCT	CRI	Wattage	Source Lumens	Delivered Lumens	Efficacy
2700K	90 CRI	35W	2990lm	2299lm	66lpw
3000K	90 CRI	35W	3435lm	2644lm	76lpw
3500K	90 CRI	35W	3435lm	2644lm	76lpw
4000K	80 CRI	35W	4245lm	3266lm	93lpw

### Multiplier for Delivered Lumens

Wattage	10	15	20	25	30	35
Multiplier	0.34	0.5	0.61	0.73	0.81	1

### Specifications

#### Field Replaceable LED Light Engine

- LED with 2 SDCM binning
- 2700K, 3000K and 3500K at 90 CRI / 4000K at 80 CRI
- 10°, 30°, 50° and 80° optics

#### Adjustability

Cylinder is cut at a 45° to allow the pendant to twist to 45°

#### Field Replaceable Dimming Driver

- Multiple dimming drivers available
- Power factor > 0.9, 50/60Hz

#### Finishes

Available in 22 standard finishes with optional coastal coating to protect finish in coastal environments.

#### Mounting

- 4' of stem included; (1) 6", (2) 12" & (1) 18" (includes couplers)
- 5" x 2-1/4" canopy included with standard universal dim driver (7-1/8" x 2-1/4" canopy included with Lutron and eldoLED drivers)

#### Listing / Warranty

- Five (5) year limited warranty
- UL listed to US and Canadian standards for damp locations



## Order Matrix

5" Adjustable Twist Cylinder (Example: LP5-TWIST-10-35-10-BK-2-S)

Series	Wattage	CCT / CRI	Optic	Finish	Coastal Coating Option	Rev	Driver	Canopy	
LP5-TWIST	-10	-27 (2700K / 90 CRI)	-10	-ABL (Aegean Blue)	(blank) (No coating)	-2	-S <sup>2</sup> (ERP, Universal Dim, Triac/ELW/0-10V 10% 120-277V)	(blank) (standard canopy)	
	-15	-30 (3000K / 90 CRI)	-30	-BB (Burnished Bronze)	-C (Coating)			-L1 <sup>1</sup> (Lutron Hi-lume <sup>®</sup> 2-Wire 1% 120V)	-CC1 <sup>3</sup> (Conduit 3-1/4" canopy)
	-20	-35 (3500K / 90 CRI)	-50	-BK (Gloss Black)				-L3 <sup>1</sup> (Lutron Hi-lume <sup>®</sup> Fade-to-Black 1% 120-277V)	-CC2 <sup>3</sup> (Conduit 3-7/8" canopy)
	-25	-40 (4000K / 80 CRI)	-80	-BLU (Blue)				-EL1 <sup>1</sup> (eldoLED DALI 1% 120-277V)	
	-30			-DVG (Dove Gray)				-EL2 <sup>1</sup> (eldoLED 0-10V 1% 120-277V)	
	-35			-FLG (Flannel Gray)				-DMX <sup>1</sup> (DMX 1% 120-277V)	
				-GA (Galvanized)					
				-GWT (Gloss White)					
				-LG (Lime Green)					
				-MBL (Midnight Blue)					
				-MB (Matte Black)					
				-PNA (Painted Natural Aluminum)					
				-PNC (Painted Natural Copper)					
				-RD (Red)					
				-SGR (Sage Green)					
				-SND (Sand)					
			-SS (Satin Silver)						
			-TBZ (Textured Bronze)						
			-TGP (Textured Graphite)						
			-TNG (Tangerine)						
			-TTL (Tahitian Teal)						
			-WT (Semi Gloss White)						
			-YEL (Yellow)						

### Emergency

EM-1004 (50W LED Remote Inverter)

### Optic

EDL5-10-OPTIC-1 (10° Spot)  
 EDL5-30-OPTIC-1 (30° Spot)  
 EDL5-50-OPTIC-1 (50° Spot)  
 EDL5-80-OPTIC-1 (80° Spot)

1. Includes larger canopy  
 2. Forward and reverse dimming at 120V only

3. CC1 and CC2 only for S driver option

Spec-00230 Revised 10/08/2021

14508 Nelson Ave. City of Industry, CA 91744 • tel: 626.336.4511 • fax: 626.330.4266 • www.csllighting.com  
 ©2021 Creative Systems Lighting, A Division of Troy-CSL Lighting, Inc.  
 All rights reserved. Subject to change without notice.

