

2" Cylinder

15W LED Pendant (Round or Square)

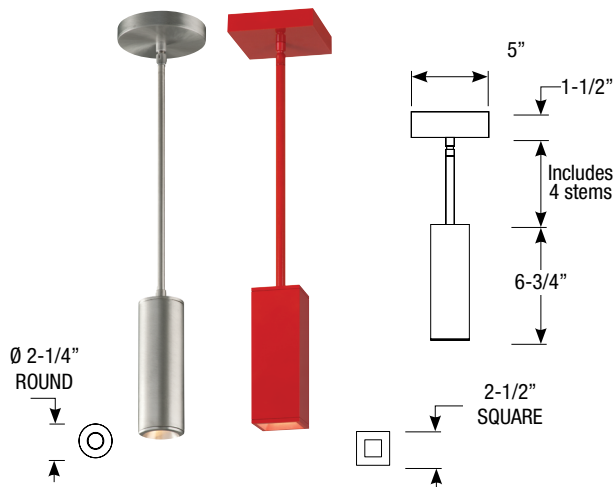
Catalog #:

Type:

Project:

Date:

Notes:



STANDARD FINISHES

	ABL (Aegean Blue)		PNC (Painted Natural Copper)
	BB (Burnished Bronze)		RD (Red)
	BK (Gloss Black)		SGR (Sage Green)
	BLU (Blue)		SND (Sand)
	DVG (Dove Gray)		SS (Satin Silver)
	FLG (Flannel Gray)		TBZ (Textured Bronze)
	GA (Galvanized)		TGP (Textured Graphite)
	GWT (Gloss White)		TNG (Tangerine)
	LG (Lime Green)		TTL (Tahitian Teal)
	MB (Matte Black)		WT (Semi Gloss White)
	MBL (Midnight Blue)		YEL (Yellow)
	PNA (Painted Natural Aluminum)		

Electrical Data

CCT	CRI	Wattage	Source Lumens	Delivered Lumens	Efficacy
2700K	90 CRI	15W	1065lm	821lm	55lpw
3000K	90 CRI	15W	1140lm	880lm	59lpw
3500K	90 CRI	15W	1230lm	947lm	63lpw
4000K	80 CRI	15W	1515lm	1167lm	78lpw

Multiplier for Delivered Lumens

Wattage	10	15
Multiplier	0.69	1

Specifications

Field Replaceable LED Light Engine

- LED with 2 SDCM binning
- 2700K, 3000K and 3500K at 90 CRI / 4000K at 80 CRI
- 10°, 30°, 50° and 80° optics

- 5" x 1-1/2" canopy included with standard universal dim driver (7-1/8" x 2-1/4" round canopy or 6-1/4" x 2-1/4" square canopy included with Lutron and eldoLED drivers)

Field Replaceable Dimming Driver

- Multiple dimming drivers available
- Power factor > 0.9, 50/60Hz

Finishes

Available in 22 standard finishes with optional coastal coating to protect finish in coastal environments.

Mounting

- 4' of stem included; (1) 6", (2) 12" & (1) 18" (includes couplers)
- Contact the factory for custom sloped ceiling projects
- 10' field adjustable cord available, must specify

Listing / Warranty

- Five (5) year limited warranty
- UL listed to US and Canadian standards for wet locations
- Round housings rated for Wet Location when ordered with the Standard canopy.



Order Matrix

2" Cylinder (Example: LP2-10-35-10-BK-4-S-BC)

Series	Wattage	CCT / CRI	Optic	Finish	Coastal Coating	Rev	Driver	Option	Canopy
LP2 (Round)	-10	-27 (2700K/90CRI)	-10	-ABL (Aegean Blue)	(blank) (No coating)	-4	-S² (ERP, Universal Dim, Triac/ELV/0-10V 10% 120-277V)	-ST Stem	(blank) (standard canopy)
	-15	-30 (3000K/90CRI)	-30	-BB (Burnished Bronze)	-C (Coating)				-CC1³ (Conduit 3-1/4" canopy)
SLP2 (Square)		-35 (3500K/90CRI)	-50	-BK (Gloss Black)			-L1¹ (Lutron Hi-lume [®] 2-Wire 1% 120V)	-WC 10' White Cord	-CC2³ (Conduit 3-7/8" canopy)
		-40 (4000K/80CRI)	-80	-BLU (Blue)			-L3¹ (Lutron Hi-lume [®] Fade-to-Black 1% 120-277V)	-LV 10' Low Voltage Aircraft Cable	
				-DVG (Dove Gray)			-EL1¹ (eldoLED DALI 1% 120-277V)	-BCC 10' Black Cord with internal strain relief	
				-FLG (Flannel Gray)			-EL2¹ (eldoLED 0-10V 1% 120-277V)	-WCC 10' White Cord with internal strain relief	
				-GA (Galvanized)			-DMX¹ (DMX 1% 120-277V)		
				-GWT (Gloss White)					
				-LG (Lime Green)					
				-MBL (Midnight Blue)					
				-MB (Matte Black)					
				-PNA (Painted Natural Aluminum)					
				-PNC (Painted Natural Copper)					
				-RD (Red)					
				-SGR (Sage Green)					
				-SND (Sand)					
				-SS (Satin Silver)					
				-TBZ (Textured Bronze)					
				-TGP (Textured Graphite)					
				-TNG (Tangerine)					
				-TTL (Tahitian Teal)					
				-WT (Semi Gloss White)					
				-YEL (Yellow)					

Emergency

EM-1000 (25W LED Remote Inverter)

Optic

EDLM-10-OPTIC-3 (10° Spot)
EDLM-30-OPTIC-3 (30° Spot)
EDLM-50-OPTIC-3 (50° Spot)
EDLM-80-OPTIC-3 (80° Spot)

- Includes larger canopy
- Forward and reverse dimming at 120V only

- Damp location only

Spec-00225 Revised 10/08/2021

14508 Nelson Ave. City of Industry, CA 91744 • tel: 626.336.4511 • fax: 626.330.4266 • www.cslighting.com
 ©2021 Creative Systems Lighting, A Division of Troy-CSL Lighting, Inc.
 All rights reserved. Subject to change without notice.

