

2" Adjustable Twist Cylinder

15W LED Pendant (Round)

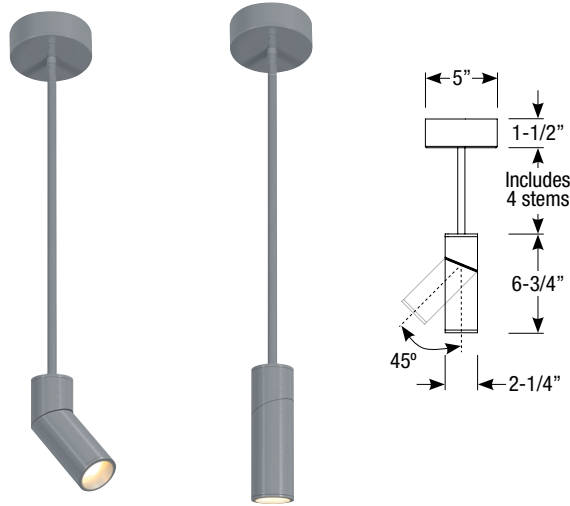
Catalog #:

Type:

Project:

Date:

Notes:



STANDARD FINISHES

ABL (Aegean Blue)	PNC (Painted Natural Copper)
BB (Burnished Bronze)	RD (Red)
BK (Gloss Black)	SGR (Sage Green)
BLU (Blue)	SND (Sand)
DVG (Dove Gray)	SS (Satin Silver)
FLG (Flannel Gray)	TBZ (Textured Bronze)
GA (Galvanized)	TGP (Textured Graphite)
GWT (Gloss White)	TNG (Tangerine)
LG (Lime Green)	TTL (Tahitian Teal)
MB (Matte Black)	WT (Semi Gloss White)
MBL (Midnight Blue)	YEL (Yellow)
PNA (Painted Natural Aluminum)	

Electrical Data

CCT	CRI	Wattage	Source Lumens	Delivered Lumens	Efficacy
2700K	90 CRI	15W	1065lm	821lm	55lpw
3000K	90 CRI	15W	1140lm	880lm	59lpw
3500K	90 CRI	15W	1230lm	947lm	63lpw
4000K	80 CRI	15W	1515lm	1167lm	78lpw

Multiplier for Delivered Lumens

Wattage	10	15
Multiplier	0.69	1

Specifications

Field Replaceable LED Light Engine

- LED with 2 SDCM binning
- 2700K, 3000K and 3500K at 90 CRI / 4000K at 80 CRI
- 10°, 30°, 50° and 80° optics

Field Replaceable Dimming Driver

- Multiple dimming drivers available
- Power factor > 0.9, 50/60Hz

Mounting

- 4' of stem included; (1) 6", (2) 12" & (1) 18" (includes couplers)
- 5" x 1-1/2" canopy included with standard universal dim driver (7-1/8" x 2-1/4" canopy included with Lutron and eldoLED drivers)

Adjustability

Cylinder is cut at a 45° to allow the pendant to twist to 45°

Finishes

Available in 22 standard finishes with optional coastal coating to protect finish in coastal environments.

Listing / Warranty

- Five (5) year limited warranty
- UL listed to US and Canadian standards for damp locations



Order Matrix

2" Adjustable Twist Cylinder (Example: LP2-TWIST-10-35-10-BK-4-S)

Series	Wattage	CCT / CRI	Optic	Finish	Coastal Coating Option	Rev	Driver	Canopy
LP2-TWIST	-10	-27 (2700K / 90 CRI)	-10	-ABL (Aegean Blue)	(blank) (No coating)	-4	-S ² (ERP, Universal Dim, Triac/ELV/0-10V 10% 120-277V)	(blank) (standard canopy)
	-15	-30 (3000K / 90 CRI)	-30	-BB (Burnished Bronze)	-C (Coating)			-L1 ¹ (Lutron Hi-lume® 2-Wire 1% 120V)
		-35 (3500K / 90 CRI)	-50	-BK (Gloss Black)			-L3 ¹ (Lutron Hi-lume® Fade-to-Black 1% 120-277V)	-CC2 ³ (Conduit 3-7/8" canopy)
		-40 (4000K / 80 CRI)	-80	-BLU (Blue)			-EL1 ¹ (eldoLED DALI 1% 120-277V)	
				-DVG (Dove Gray)			-EL2 ¹ (eldoLED 0-10V 1% 120-277V)	
				-FLG (Flannel Gray)			-DMX ¹ (DMX 1% 120-277V)	
				-GA (Galvanized)				
				-GWT (Gloss White)				
				-LG (Lime Green)				
				-MBL (Midnight Blue)				
				-MB (Matte Black)				
				-PNA (Painted Natural Aluminum)				
				-PNC (Painted Natural Copper)				
				-RD (Red)				
				-SGR (Sage Green)				
				-SND (Sand)				
				-SS (Satin Silver)				
				-TBZ (Textured Bronze)				
				-TGP (Textured Graphite)				
				-TNG (Tangerine)				
				-TTL (Tahitian Teal)				
				-WT (Semi Gloss White)				
				-YEL (Yellow)				

Emergency

- EM-1000 (25W LED Remote Inverter)
- EM-1002 (10W LED Remote Emergency Driver)

Optic

- EDLM-10-OPTIC-3 (10° Spot)
- EDLM-30-OPTIC-3 (30° Spot)
- EDLM-50-OPTIC-3 (50° Spot)
- EDLM-80-OPTIC-3 (80° Spot)

1. Includes larger canopy
2. Forward and reverse dimming at 120V only

3. CC1 and CC2 only for S driver option

Spec-00226 Revised 10/08/2021

14508 Nelson Ave. City of Industry, CA 91744 • tel: 626.336.4511 • fax: 626.330.4266 • www.csllighting.com
 ©2021 Creative Systems Lighting, A Division of Troy-CSL Lighting, Inc.
 All rights reserved. Subject to change without notice.

