

# GyroShift 1" Cylinder

## 10W LED Pendant/Flush Mount (Round)

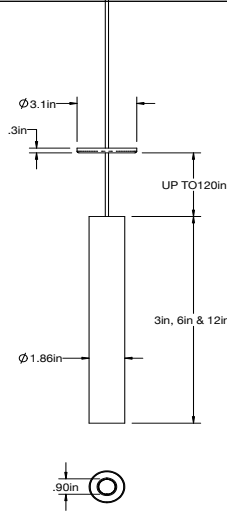
Catalog #:

Type:

Project:

Date:

Notes:



### STANDARD FINISHES

	<b>ABL</b> (Aegean Blue)		<b>PNC</b> (Painted Natural Copper)
	<b>BB</b> (Burnished Bronze)		<b>RD</b> (Red)
	<b>BK</b> (Gloss Black)		<b>SGR</b> (Sage Green)
	<b>BLU</b> (Blue)		<b>SND</b> (Sand)
	<b>DVG</b> (Dove Gray)		<b>SS</b> (Satin Silver)
	<b>FLG</b> (Flannel Gray)		<b>TBZ</b> (Textured Bronze)
	<b>GA</b> (Galvanized)		<b>TGP</b> (Textured Graphite)
	<b>GWT</b> (Gloss White)		<b>TNG</b> (Tangerine)
	<b>LG</b> (Lime Green)		<b>TTL</b> (Tahitian Teal)
	<b>MB</b> (Matte Black)		<b>WT</b> (Semi Gloss White)
	<b>MBL</b> (Midnight Blue)		<b>YEL</b> (Yellow)
	<b>PNA</b> (Painted Natural Aluminum)		

### Performance Data

CCT	CRI	Wattage	Delivered Lumens	Efficacy
3000	90 CRI	11W	650 lm	60 lpw

\*Based on 3500K 90CRI 30deg optic configuration at 120VAC input  
Lumens will vary depending on CCT, optic & lens option

### Specifications

#### Field Replaceable LED Light Engine

- 10W LED delivers 650lm
- 2700K, 3000K, and 3500K
- 80 or 90 CRI Options
- 35° adjustability with 360° aiming
- Available in 3", 6", and 12" lengths
- ELV/Triac 0-10V dimming 1-100%

#### 6 Different Mounting Options

- Stem Mount
- Stem Mounted Integral Driver
- Cord Mount
- Cord Mount Remote Driver
- Cord Mount Integral Driver
- Flush Mount Remote Driver

#### Finishes

Available in many colors with optional coastal coating to protect finish in coastal environments

#### Mounting

4' of stem included: (1) 6", (2) 12" & (1) 18" (includes couplers)

#### Listing / Warranty

- Five (5) year limited warranty
- UL listed to US and Canadian standards for damp location - E327611
- UL listed to US and Canadian standards for damp locations
- Meets CEC Title 24 JA8 High Efficacy LED requirements



#### Notes:

- 80 CRI options not compliant with CEC Title 24 requirements
- Only NL media option is listed with Energy Star and meets CEC Title 24 requirements

### Order Matrix

#### GyroShift™ 1" Pendant Cylinder (Example: LP1-SFT-30-90-6-50-WT-NL-ST)

Series	CCT	CRI	Fixture Length	Beam Angle	Finishes	Media	Mounting Type
LP1-SFT- (Round)	27 (2700K)	80- (80 CRI)	3- (3" length)	30- (30°)	<b>ABL</b> (Aegean Blue) <b>BB</b> (Burnished Bronze) <b>BK</b> (Gloss Black) <b>BLU</b> (Blue) <b>DVG</b> (Dove Gray) <b>FLG</b> (Flannel Gray) <b>GA</b> (Galvanized) <b>GWT</b> (Gloss White) <b>LG</b> (Lime Green) <b>MB</b> (Matte Black) <b>MBL</b> (Midnight Blue) <b>PNA</b> (Painted Natural Aluminum) <b>PNC</b> (Painted Natural Copper) <b>RD</b> (Red) <b>SGR</b> (Sage Green) <b>SND</b> (Sand) <b>SS</b> (Satin Silver) <b>TBZ</b> (Textured Bronze) <b>TGP</b> (Textured Graphite) <b>TNG</b> (Tangerine) <b>TTL</b> (Tahitian Teal) <b>WT</b> (Semi Gloss White) <b>YEL</b> (Yellow)	<b>-NL</b> (No Lens) <b>-CL</b> (Clear Lens) <b>-FR</b> (Frosted Lens) <b>-MP</b> (Solite Lens) <b>-LS</b> (Linear Spread) <b>-WW*</b> (Wall Wash)	<b>ST</b> (Stem Mount) <b>STI</b> (Stem Mount Integral Driver) <b>CD</b> (Cord Mount) <b>CDR</b> (Cord Mount Remote Driver) <b>CDI</b> (Cord Mount Integral Driver) <b>FMTR</b> (Flush Mount Remote Driver)
	30 (3000K)	90- (90 CRI)	6- (6" length)	50- (50°)			
	35 (3500K)		12- (12" length)				

# GyroShift 1" Cylinder

## 10W LED Pendant/Flush Mount (Round)

Catalog #:

Project:

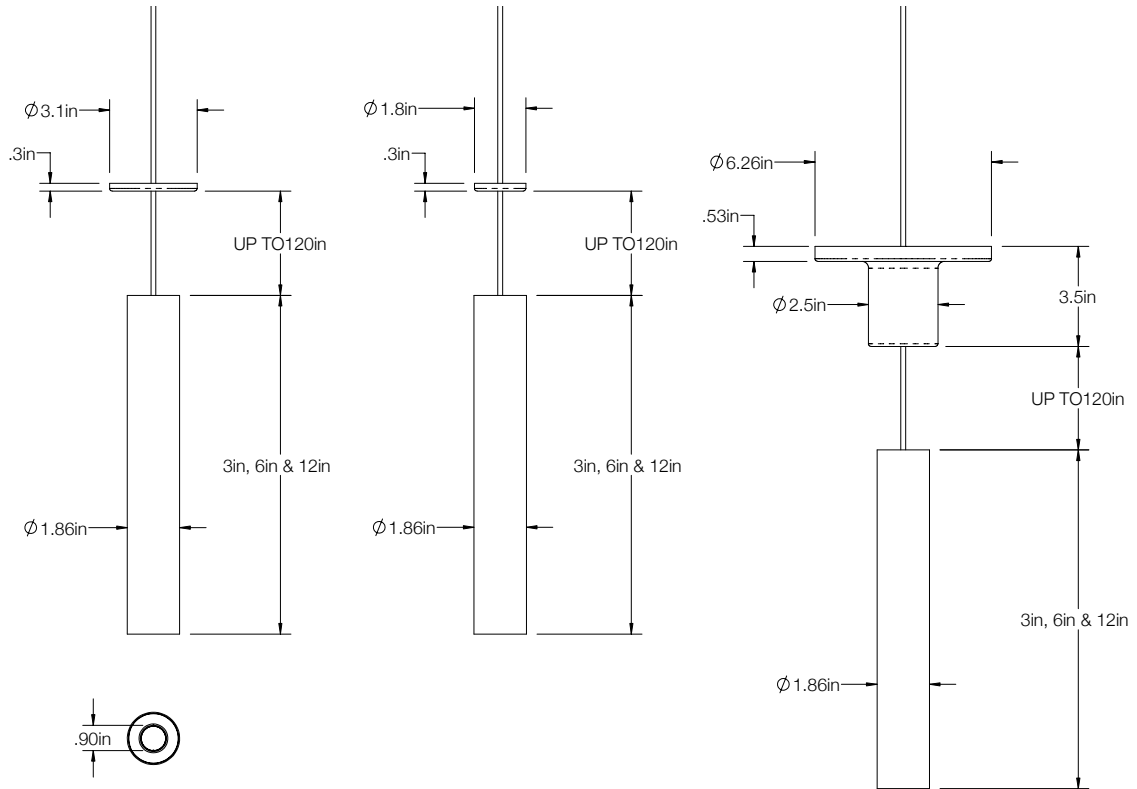
Notes:

Type:

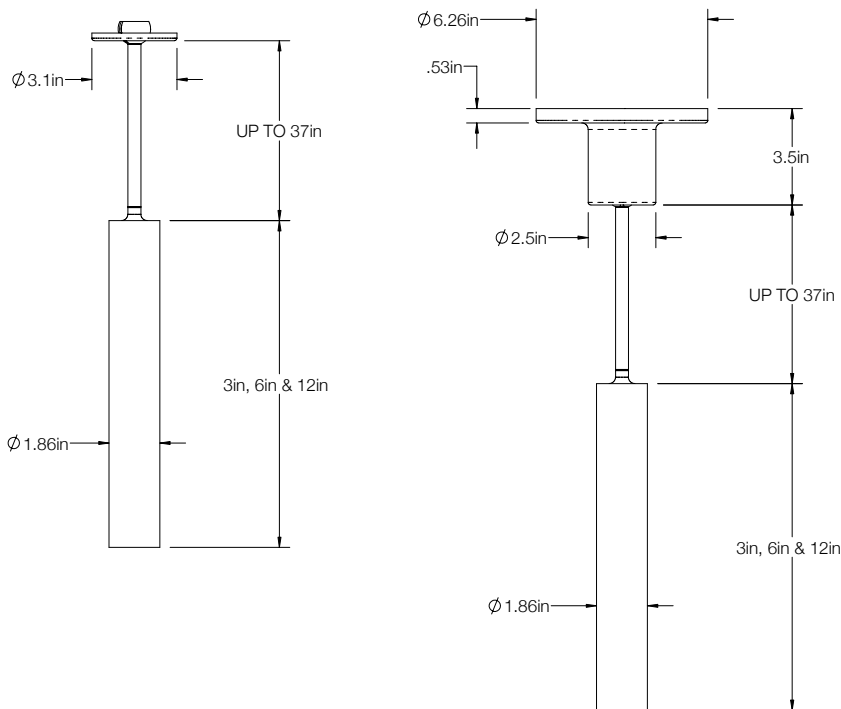
Date:

### Dimensions

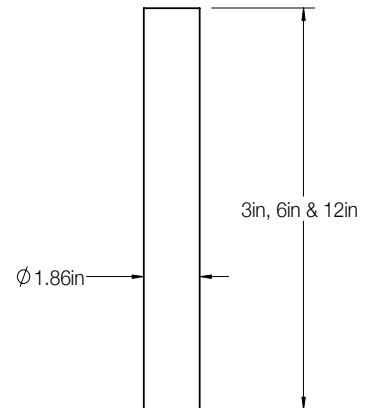
#### Cord Mount Diagrams



#### Stem Mount Diagrams



#### Flush Mount Diagram



# GyroShift 1" Cylinder

## 10W LED Pendant/Flush Mount (Round)

Catalog #:

Type:

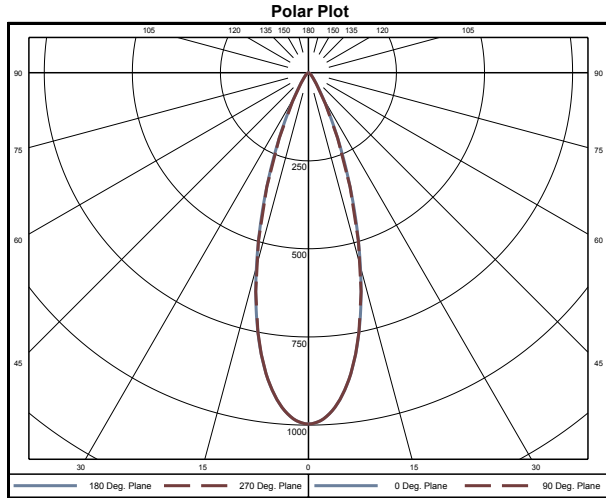
Project:

Date:

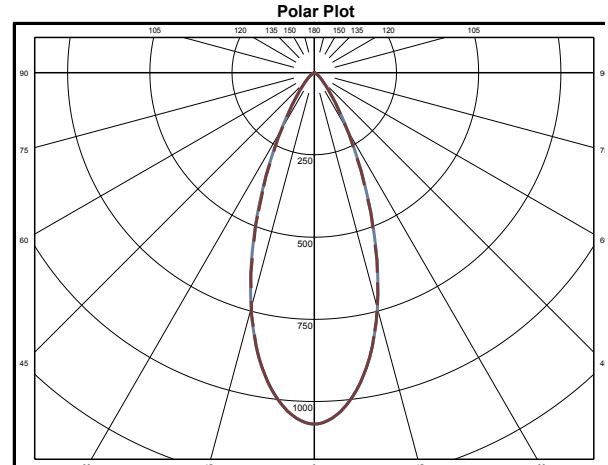
Notes:

### PHOTOMETRY

GyroShift 1" Cylinder / 30° Optic



GyroShift 1" Cylinder / 50° Optic



### LUMEN CHART

#### GYROSHIFT™ 1" CYLINDER

	90CRI		80CRI		Wattage:
	30°	50°	30°	50°	
3500K	650	641	813	802	10.8
3000K	650	641	754	743	
2700K	606	598	702	692	

### EFFICACY CHART

#### GYROSHIFT™ 1" CYLINDER

	90CRI		80CRI	
	30°	50°	30°	50°
3500K	60	59	75	74
3000K	60	59	70	69
2700K	56	55	65	64

# GyroShift 1" Cylinder

## 10W LED Pendant/Flush Mount (Round)

Catalog #:

Type:

Project:

Date:

Notes:

### COMPATIBLE DIMMER CHARTS

#### COMPATIBLE PHASE CUT DIMMERS AND DIMMING RANGE

Manufacturer	Model	Maximum	Minimum	Manufacturer	Model	Maximum	Minimum
Cooper	DAL06P	100%	0%	Lutron	CT103P	99%	6%
	DLC03P	100%	0%		DV600P	99%	3%
	SLC03P	100%	0%		DVCL-153P	99%	0%
Leviton	6161	99%	10%		DVEL303P	97%	3%
	6631-2	100%	0%		FAELV500	99%	7%
	6633-P	100%	0%		LG600P	99%	5%
	6673-10W	99%	6%		MAELV600	99%	7%
	6683-IW	100%	2%		S600P	99%	1%
	IPE04	100%	3%		S-603PG	86%	4%
	IPI06-1LZ	100%	0%		SELV300P	97%	3%
	VPE06	100%	5%		TG-600P	99%	13%
Lightolier	ZP26QEW	99%	3%		TGCL-153P	99%	2%

#### COMPATIBLE 1-10V DIMMERS AND DIMMING RANGE

Manufacturer	Model	Maximum	Minimum
Leviton	IP740-DLZ	100%	10%
Lightolier	ZP600FAM120	100%	10%
	V2000FAMU	100%	10%
Lutron	DTV	100%	10%
	NTFTV	100%	10%
Crestron	CLS-EXP-DIMFLV	100%	10%
	DIN-4DIMFLV4	100%	10%
	DIN-A08	100%	10%
	GLX-DIMFLV8	100%	10%