

READ AND FOLLOW ALL SAFETY INSTRUCTIONS! SAVE THESE INSTRUCTIONS AND DELIVER TO OWNER AFTER INSTALLATION.

⚠ WARNING: RISK OF ELECTRIC SHOCK

- Before installation or servicing DISCONNECT POWER BY TURNING OFF THE CIRCUIT BREAKERS both to the outlet box and to its associated wall switch.
- Installation and service of luminaires should be performed by a qualified licensed electrician in accordance with all local and National Electrical Codes.
- Do not install damaged product
- Verify that supply voltage is correct by comparing it with the luminaire label information.
- All wiring connections should be capped with UL approved recognized wire connectors.

⚠ WARNING: RISK OF INJURY

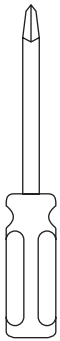
- Allow luminaire to cool before servicing.
- Follow all manufacturer's warning and restrictions for driver type, mounting locations, replacement and recycling.
- Wear safety glasses and gloves when installing, maintaining or servicing.
- Avoid direct eye exposure to the light source while it is on.

⚠ WARNING: RISK OF FIRE

- Do not separate any other wires that may be in the box.
- Do not damage the insulation of older wiring.
- In regular circumstances the BLACK wire will be the "Hot" lead and the WHITE wire will be the "Neutral" or "Common" lead. A GREEN or BARE COPPER wire is "Ground". In older buildings, it is always good practice to reconfirm the polarity of the wiring.

⚠ RISK OF PRODUCT DAMAGE

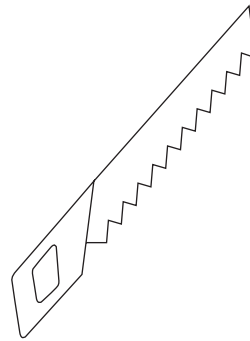
- Never connect components under load.
- Do not touch the yellow surface of the LED as it may damage the light engine.

◆ TOOLS REQUIRED

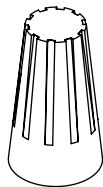
#1 Phillips Screw Driver



#2 Phillips Screw Driver



Drywall Knife

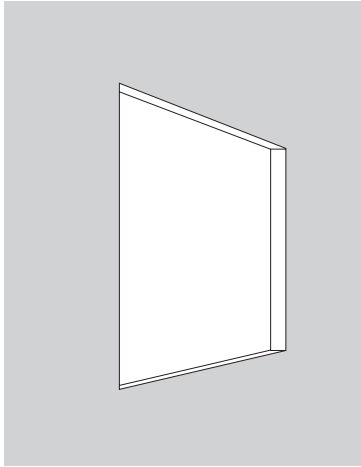
◆ ACCESSORIES REQUIRED

Electrical Wire Nut

PREPARATION

◆ MEASURE BEFORE YOU CUT

Consult the ceiling cutout table below to determine your application ceiling cutout requirements.



Model	Wall Cutout Size
Standard	2-1/8" x 4" (54 mm x 101.6 mm)
Alternative Driver	4" x 4" (101.6 mm x 101.6 mm)

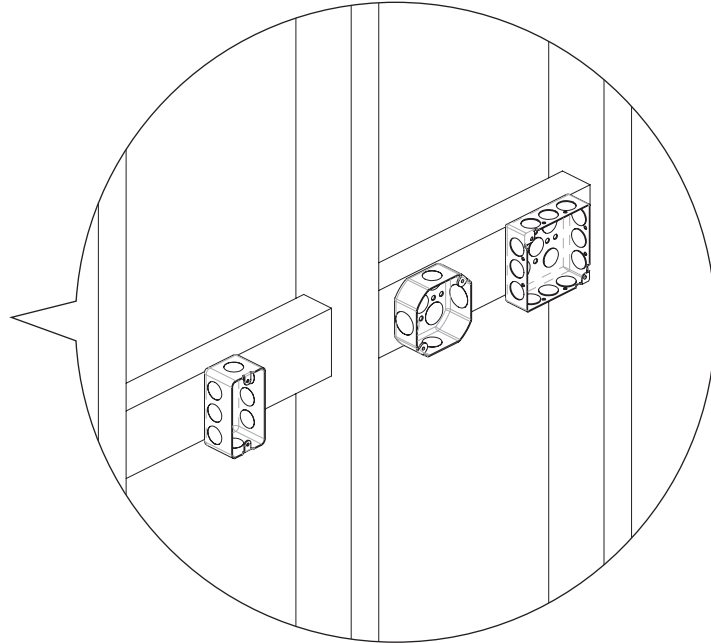
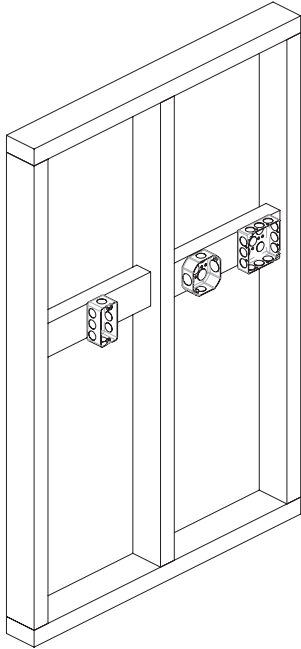
◆ JUNCTION BOX COMPATIBILITY

Consult the junction box chart for your application's junction box compatibility.

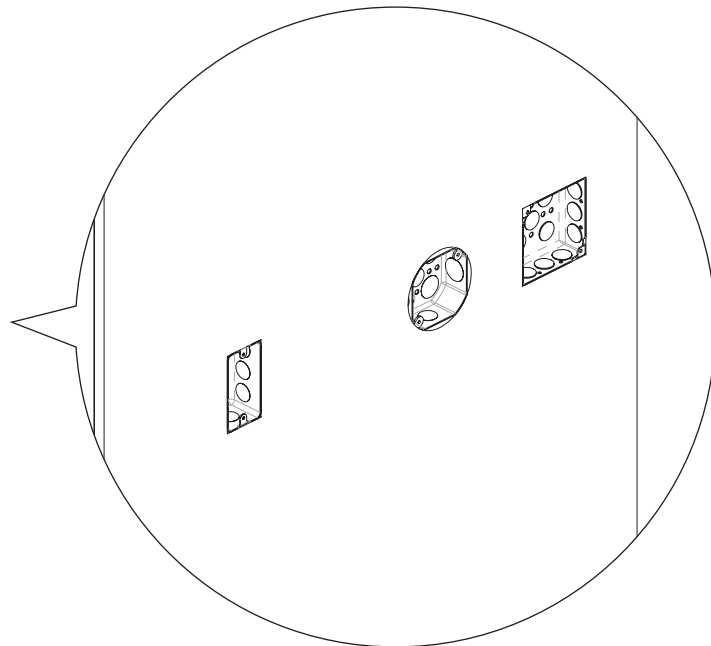
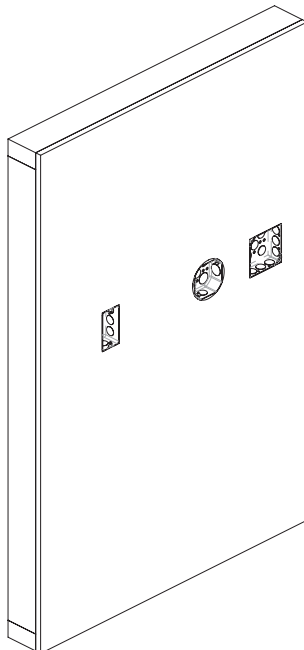
CANOPY TYPE	 SQUARE JUNCTION BOX 2-1/8" x 4"	 SQUARE JUNCTION BOX 4" x 4"	 OCTAGON JUNCTION BOX 04"
STANDARD	✓		
ALTERNATIVE DRIVER		✓	✓

INSTALLATION

◆ STEP 1 | Mount Junction Box to Joist



◆ STEP 2 | Cut Hole and Install Wall

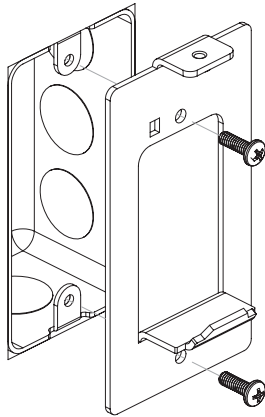


INSTALLATION

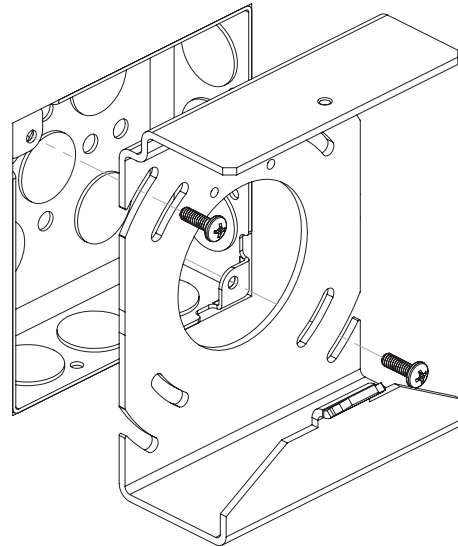
◆ STEP 3 | Attach Mounting Plate

3A

- Using #2 phillips screwdriver, attach mounting plate to junction box.



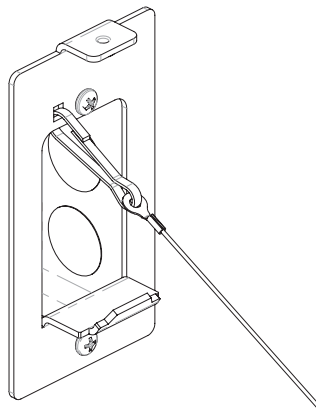
Standard



Alternative Driver

3B

- Attach carabiner to mounting plate allowing cylinder to suspend from safety cord.

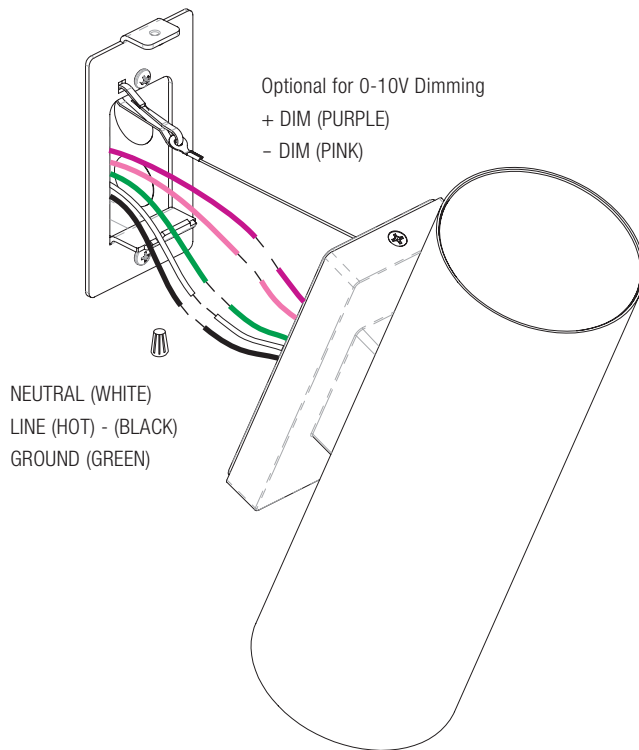


Standard

INSTALLATION

◆ STEP 4 | Make Electrical Connection

- Connect supply wires using approved wire nuts to the cylinder using the wiring diagram shown.

**⚠ WARNING**

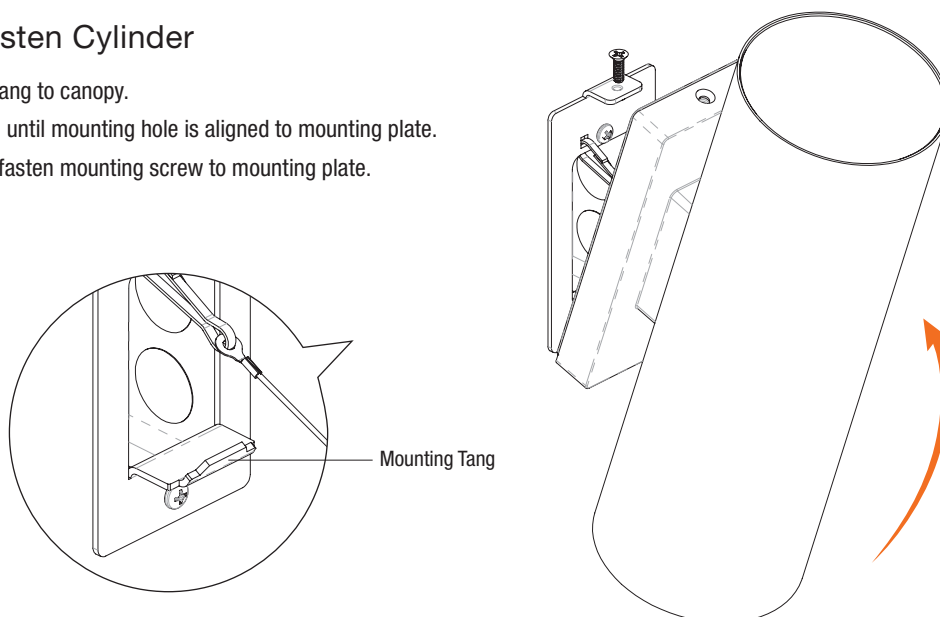
Make sure that there are no exposed strands of wire that could cause a dangerous short circuit!

⚠ WARNING

Never fasten the ground wire (Green) to the hot (Black) wire! Failure to follow this instruction could result in serious injury or death!

◆ STEP 5 | Fasten Cylinder

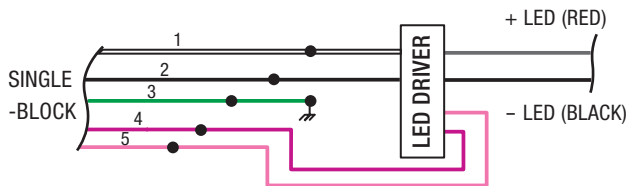
- Insert mounting tang to canopy.
- Rotate canopy up until mounting hole is aligned to mounting plate.
- Using #2 phillips fasten mounting screw to mounting plate.



INSTALLATION

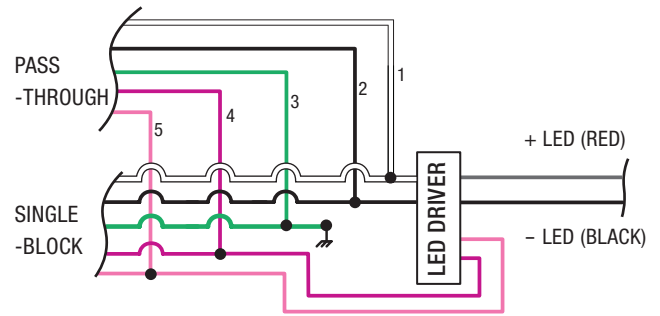
◆ Wiring Diagrams

For Single-Block Connection



- 1/ NEUTRAL (WHITE)
- 2/ LINE (HOT) - (BLACK)
- 3/ GROUND (GREEN)
- 4/ + DIM (PURPLE)
- 5/ - DIM (PINK)

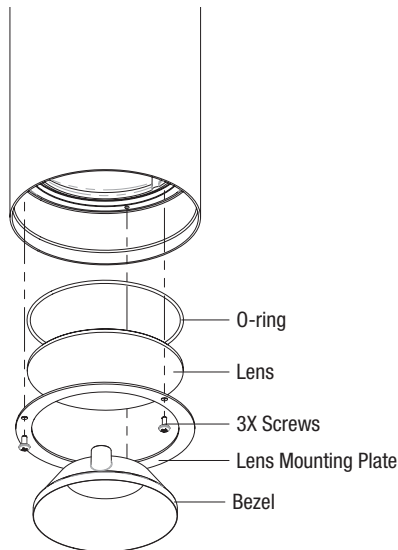
For Pass-Through Connection



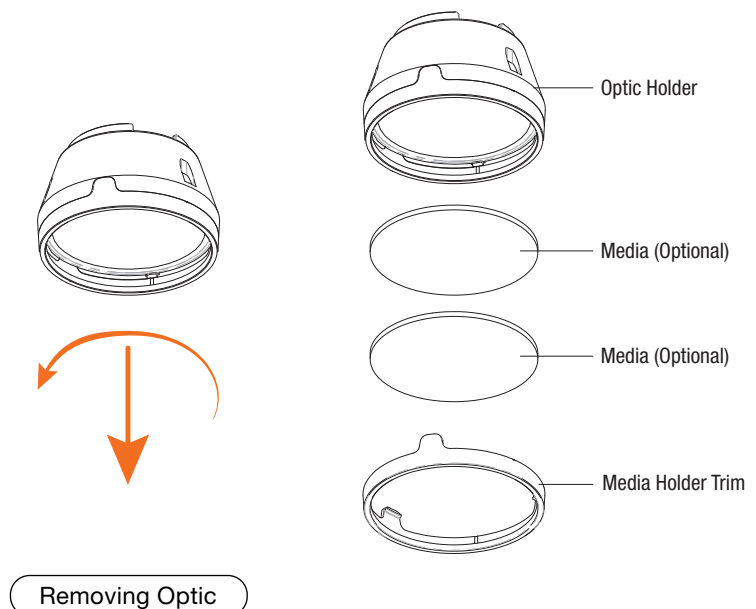
- 1/ NEUTRAL (WHITE)
- 2/ LINE (HOT) - (BLACK)
- 3/ GROUND (GREEN)
- 4/ + DIM (PURPLE)
- 5/ - DIM (PINK)

◆ Removing/Installing Optics Or Media

- Remove bezel or top cover.
- Using #1 phillips screwdriver, remove 3X screws.
- Remove lens and o-ring.
- Remove optic by rotating it counter-clockwise (For 2", use optic removal tool).
- If attaching media, remove media holder, place media(s) and reattach media holder to optic.
- If installing optic, with desired optic reverse steps 1-4 ensuring the o-ring is placed within the o-ring groove.



To Change Optic or Media



INSTALLATION

◆ For Wet Location

Before attaching canopy apply RTV liberally inside of the canopy at ingress locations, place canopy to mounting plate, and cleanup any excess RTV.

