

**DIMMING DRIVER COMPATIBILITY**

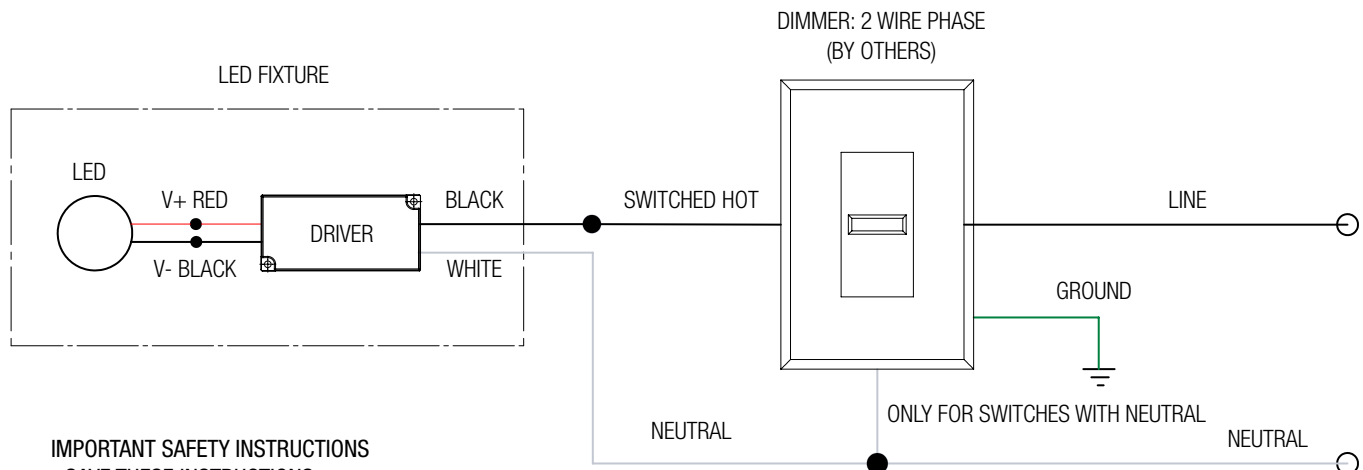
**DIMMER LIST**

"S" ERP PHASE-CUT DIMMERS			
Dimmer Information			
Manufacturer	Product	Manufacturer	Product
Cooper	DAL06P	Lightolier	ZP260QEW
	DLC03P	Lutron	CT103P
	SLC03P		DV600P
Leviton	6161		DVCL-153P
	6631-2		DVELV303P
	6633-P		FAELV500
	6673-10W		LG600P
	6683-IW		MAELV600
	IPE04		S600P
	IPI06-1LZ		S-603PG
	VPE06		SELV300P
			TG-600P
			TGCL-153P

**NOTES:**

Wiring diagrams are examples of typical installations intended to illustrate the number of wires that must be run to fixture. These diagrams are not intended to specify all equipment necessary for a given dimming circuit. Refer to specific dimmer manufacturer's documentation for details.

**S- ERP DRIVER  
2 WIRE PHASE DIMMING**



**IMPORTANT SAFETY INSTRUCTIONS  
- SAVE THESE INSTRUCTIONS**

1. Keep these instructions in a safe place for future reference.
2. Only qualified electricians in accordance to local codes should install these fixtures.
3. De-energize the electrical circuit at the circuit breaker prior to installation process or servicing.
4. Make sure all connections are in accordance with the National Electrical Code and any local regulations.
5. Cap any wires not used separately (not together).

**DIMMING DRIVER COMPATIBILITY**

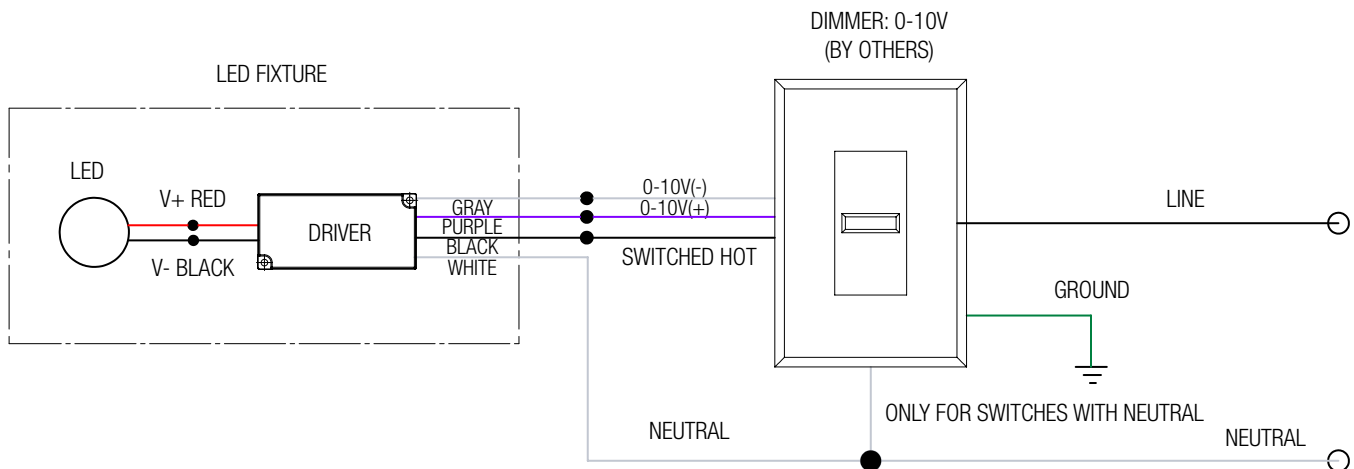
**DIMMER LIST**

"S" ERP 0-10V	
Dimmer Information	
Manufacturer	Product
Leviton	IP740-DLZ
Lightolier	ZP600FAM120
	V2000FAMU
Lutron	DVTV
	NTFTV
Crestron	CLS-EXP-DIMFLV
	DIN-4DIMFLV4
	DIN-A08
	GLX-DIMFLV8

**NOTES:**

Wiring diagrams are examples of typical installations intended to illustrate the number of wires that must be run to fixture. These diagrams are not intended to specify all equipment necessary for a given dimming circuit. Refer to specific dimmer manufacturer's documentation for details.

**S- ERP DRIVER  
0-10V DIMMING**



**IMPORTANT SAFETY INSTRUCTIONS**

**- SAVE THESE INSTRUCTIONS**

1. Keep these instructions in a safe place for future reference.
2. Only qualified electricians in accordance to local codes should install these fixtures.
3. De-energize the electrical circuit at the circuit breaker prior to installation process or servicing.
4. Make sure all connections are in accordance with the National Electrical Code and any local regulations.
5. Cap any wires not used separately (not together).

**DIMMING DRIVER COMPATIBILITY**

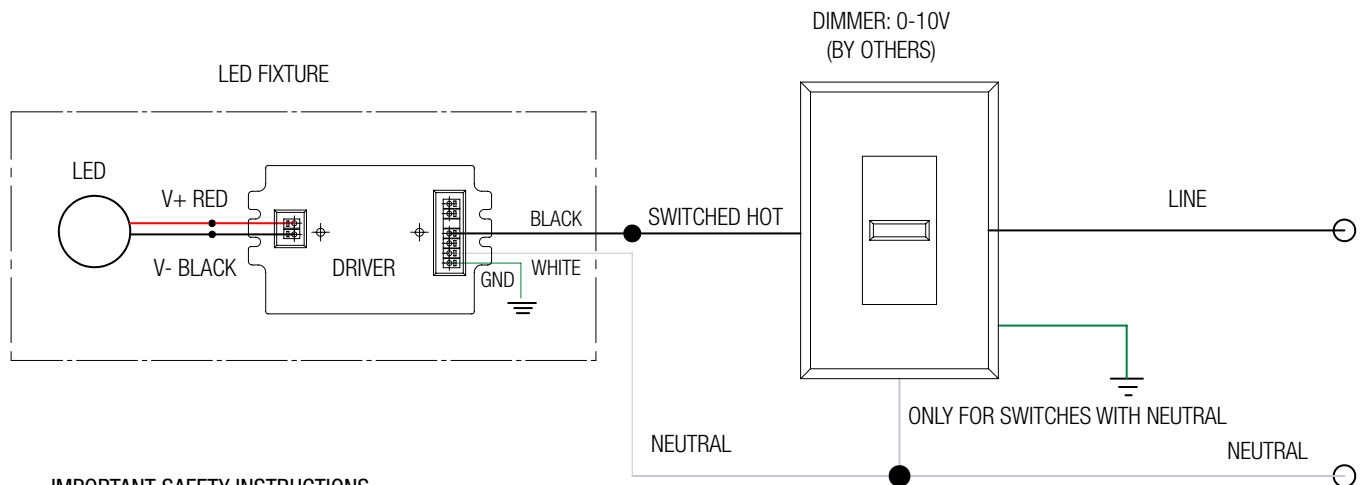
**DIMMER LIST**

"L1" Lutron Hi-lume 2-Wire	
Dimmer Information	
Manufacturer	Product
Leviton	IPE04
	IPI06-1LZ
	6633-P
Lutron	DVELV300P
	DVCL-153P
	S600P
Cooper	DAL06P
	DLC03P
	SLC03P

**NOTES:**

Wiring diagrams are examples of typical installations intended to illustrate the number of wires that must be run to fixture. These diagrams are not intended to specify all equipment necessary for a given dimming circuit. Refer to specific dimmer manufacturer's documentation for details.

**L1- LUTRON DRIVER  
2-WIRE DIMMING**



**IMPORTANT SAFETY INSTRUCTIONS**

**- SAVE THESE INSTRUCTIONS**

1. Keep these instructions in a safe place for future reference.
2. Only qualified electricians in accordance to local codes should install these fixtures.
3. De-energize the electrical circuit at the circuit breaker prior to installation process or servicing.
4. Make sure all connections are in accordance with the National Electrical Code and any local regulations.
5. Cap any wires not used separately (not together).

**DIMMING DRIVER COMPATIBILITY**

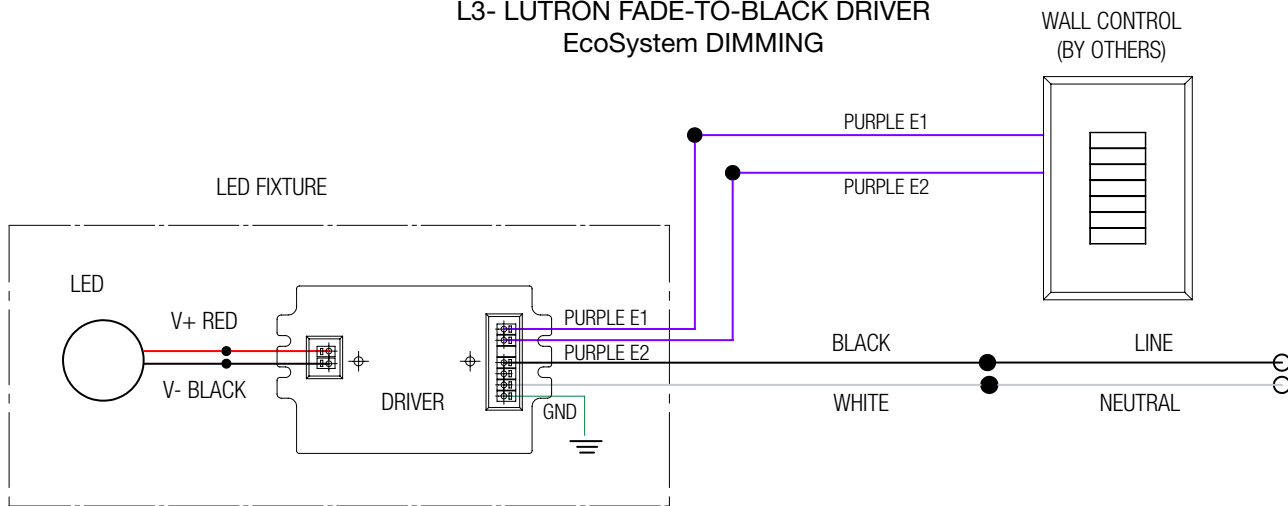
**DIMMER LIST**

"L3" Lutron Fade-to-Black	
Dimmer Information	
Manufacturer	Product
Lutron	LQSE-2ECO-D
	RMJ-ECO32-DV-B
	FCJ/FCJS-ECO
	QSN-1ECO-S
	QSN-2ECO-S
	EcoSystem ESN
	Grafik Eye QS with EcoSystem
	Quantum

**NOTES:**

Wiring diagrams are examples of typical installations intended to illustrate the number of wires that must be run to fixture. These diagrams are not intended to specify all equipment necessary for a given dimming circuit. Refer to specific dimmer manufacturer's documentation for details.

**L3- LUTRON FADE-TO-BLACK DRIVER  
EcoSystem DIMMING**



**IMPORTANT SAFETY INSTRUCTIONS**

**- SAVE THESE INSTRUCTIONS**

1. Keep these instructions in a safe place for future reference.
2. Only qualified electricians in accordance to local codes should install these fixtures.
3. De-energize the electrical circuit at the circuit breaker prior to installation process or servicing.
4. Make sure all connections are in accordance with the National Electrical Code and any local regulations.
5. Cap any wires not used separately (not together).

**DIMMING DRIVER COMPATIBILITY**

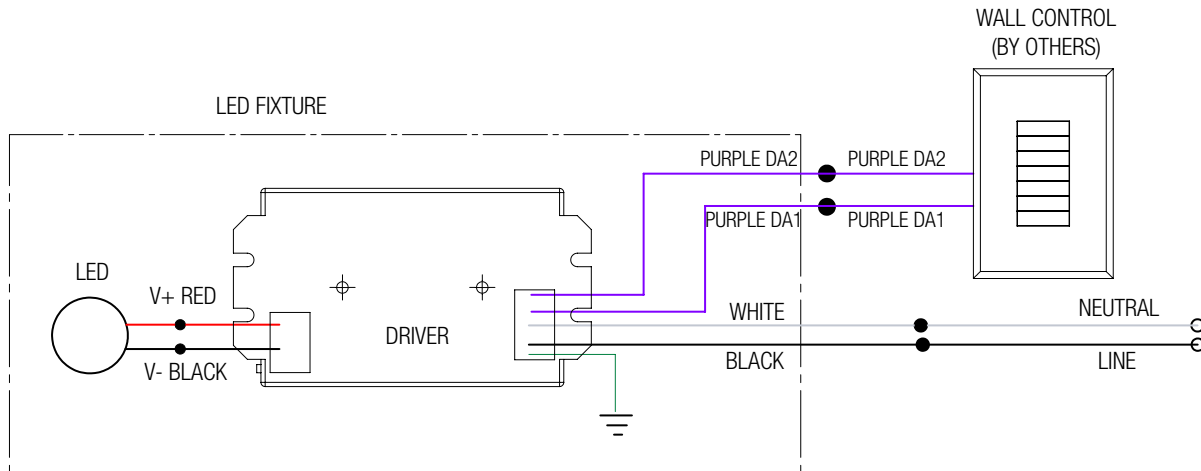
**DIMMER LIST**

"EL1" eldoLED DALI 1%	
Dimmer Information	
Manufacturer	Product
	DALI Controls

**NOTES:**

Wiring diagrams are examples of typical installations intended to illustrate the number of wires that must be run to fixture. These diagrams are not intended to specify all equipment necessary for a given dimming circuit. Refer to specific dimmer manufacturer's documentation for details.

**EL1- eldoLED DRIVER  
DALI DIMMING**



**IMPORTANT SAFETY INSTRUCTIONS**

**- SAVE THESE INSTRUCTIONS**

1. Keep these instructions in a safe place for future reference.
2. Only qualified electricians in accordance to local codes should install these fixtures.
3. De-energize the electrical circuit at the circuit breaker prior to installation process or servicing.
4. Make sure all connections are in accordance with the National Electrical Code and any local regulations.
5. Cap any wires not used separately (not together).

**DIMMING DRIVER COMPATIBILITY**

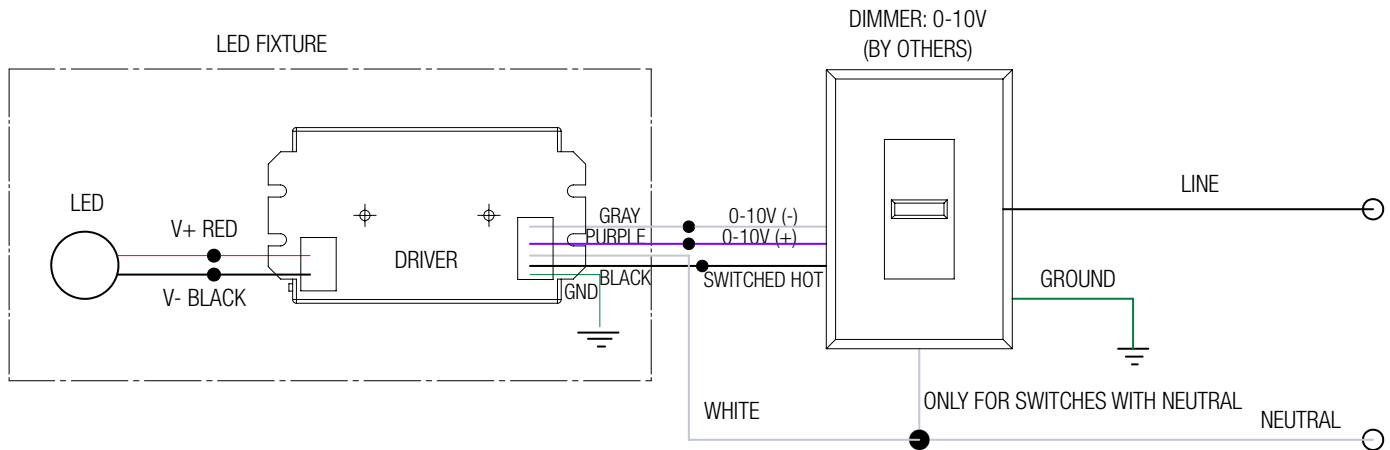
**DIMMER LIST**

"EL2"eldoLED 0-10V 1%	
Dimmer Information	
Manufacturer	Product
Leviton	IP740-DLX
Lightolier	ZP600FAM120
Lutron	DVTV
	NTFTV
	NFTV
Crestron	CLS-EXP-DIMFLV
	DIN-4DIMFLV4
	DIN-A08
	GLX-DIMFLV8

**NOTES:**

Wiring diagrams are examples of typical installations intended to illustrate the number of wires that must be run to fixture. These diagrams are not intended to specify all equipment necessary for a given dimming circuit. Refer to specific dimmer manufacturer's documentation for details.

**EL2- eldoLED DRIVER  
0-10V DIMMING**



**IMPORTANT SAFETY INSTRUCTIONS**

**- SAVE THESE INSTRUCTIONS**

1. Keep these instructions in a safe place for future reference.
2. Only qualified electricians in accordance to local codes should install these fixtures.
3. De-energize the electrical circuit at the circuit breaker prior to installation process or servicing.
4. Make sure all connections are in accordance with the National Electrical Code and any local regulations.
5. Cap any wires not used separately (not together).