

Project: _____
 Type: _____
 Note: _____

ACROBAT 4" LED DOWNLIGHT



SILENT VU™ OPTICS TECHNOLOGY	
OPTICS	10°, 30°, 50°, 80° Field Changeable
ADJUSTABLE	0° to 40° tilt (Adjustable housings only)
MEDIA	Clear, Solite, Frosted, Linear Spread, Hex Louver

LED LIGHT ENGINE	
RATED WATTAGES	10W, 15W, 20W, 25W, 30W, 35W
DELIVERED LUMENS	Up to 2954 lm @4000K-35W-30° Optic
EFFICACY	Up to 102.3 LPW @4000K-10W-30° Optic
CCT @ 90CRI	2700K, 3000K, 3500K, 4000K, Warm Dim
COLOR QUALITY	90+ CRI, 2-Step SDCM
LED LIFETIME	55,000 hours @ L90

DELIVERED LUMENS MATRIX					
		10° OPTIC	30° OPTIC	50° OPTIC	80° OPTIC
10 Watt	2700K (90CRI)	903 lm	948 lm	840 lm	737 lm
	3000K (90CRI)	975 lm	1024 lm	907 lm	796 lm
	3500K (90CRI)	998 lm	1048 lm	929 lm	815 lm
	4000K (90CRI)	1028 lm	1079 lm	956 lm	839 lm
	Warm Dim (98CRI)	628 lm	685 lm	597 lm	430 lm
15 Watt	2700K (90CRI)	1363 lm	1431 lm	1268 lm	1113 lm
	3000K (90CRI)	1473 lm	1546 lm	1370 lm	1203 lm
	3500K (90CRI)	1508 lm	1582 lm	1402 lm	1231 lm
	4000K (90CRI)	1552 lm	1629 lm	1443 lm	1267 lm
	Warm Dim (98CRI)	968 lm	1056 lm	921 lm	663 lm
20 Watt	2700K (90CRI)	1665 lm	1748 lm	1549 lm	1360 lm
	3000K (90CRI)	1799 lm	1888 lm	1673 lm	1469 lm
	3500K (90CRI)	1842 lm	1933 lm	1713 lm	1504 lm
	4000K (90CRI)	1895 lm	1990 lm	1763 lm	1548 lm
	Warm Dim (98CRI)	1178 lm	1285 lm	1121 lm	807 lm
25 Watt	2700K (90CRI)	1992 lm	2091 lm	1853 lm	1627 lm
	3000K (90CRI)	2152 lm	2259 lm	2002 lm	1758 lm
	3500K (90CRI)	2203 lm	2313 lm	2049 lm	1799 lm
	4000K (90CRI)	2268 lm	2380 lm	2109 lm	1852 lm
	Warm Dim (98CRI)	1396 lm	1523 lm	1329 lm	957 lm
30 Watt	2700K (90CRI)	2220 lm	2330 lm	2065 lm	1813 lm
	3000K (90CRI)	2398 lm	2518 lm	2231 lm	1959 lm
	3500K (90CRI)	2455 lm	2577 lm	2284 lm	2005 lm
	4000K (90CRI)	2527 lm	2653 lm	2350 lm	2064 lm
	Warm Dim (98CRI)	1539 lm	1678 lm	1464 lm	1054 lm
35 Watt	2700K (90CRI)	2472 lm	2595 lm	2299 lm	2019 lm
	3000K (90CRI)	2671 lm	2804 lm	2484 lm	2081 lm
	3500K (90CRI)	2734 lm	2870 lm	2543 lm	2233 lm
	4000K (90CRI)	2814 lm	2954 lm	2617 lm	2298 lm
	Warm Dim (98CRI)	1855 lm	2023 lm	1765 lm	1271 lm

POWER SUPPLY	
INPUT VOLTAGE	120-277V, 50/60Hz
DIMMING	Multiple dimming drivers available
SERVICABILITY	Below ceiling access

TRIM OPTIONS

- Fixed or Adjustable
- Round or Square
- Standard or Trimless
- Pinhole, Slot Pinhole
- Wet Location
- Wall Wash
- Emergency Battery

TRIM COLORS

- White
- Black
- Champagne
- Satin Aluminum
- Custom Color

REFLECTOR COLORS

- White
- Black
- Champagne
- Satin Aluminum
- Custom Color
- Clear Alzak

HOUSING

- New Construction includes (2) galvanized steel adjustable hanger bars
- Remodel option available
- 5/8"-2" ceiling thickness
- Min Plenum Height: 2 1/2" Shallow, 5 1/2" Adjustable
- Ceiling Material: Drywall, T-bar grid, Premium Acoustic Tile
 Note: ACT option adds a collar that allows use with low rigidity Premium Acoustic Tile ceilings.
- Steel junction box with up to (6) 1/2" knockouts
- IC, SIC models are Air Tight.
- IC, SIC models are CCEA (Chicago Plenum) compliant.
 (Note: polycell spray-in foam insulation must be kept 3" from housing)

LISTING/WARRANTY

- cULus Listed for 40°C Ambient
- IC Rated and Non IC Rated Available
- CCEA Approved for IC Rated Housings
- Five (5) years limited warranty
- UL Listed for Damp Location (All Styles)
- UL Listed for Wet Location (Wet Location Trim Style)
- CA Title 24-JA8 Compliant
- ASTM E283 Certified Airtight for IC Rated Housings



Project: _____
 Type: _____
 Note: _____

ACROBAT 4" LED DOWNLIGHT

ORDER MATRIX

A4-IC, A4-NC, A4-RM

4" NEW CONSTRUCTION/REMODEL HOUSING (Example: A4-IC-RST-10S-SHB)

HOUSING BASE			
FAMILY APERTURE	INSTALLATION TYPE	TRIM SHAPE	TRIM STYLE
A4- Acrobat 4"	IC⁶ Adjustable New Construction, IC, CCEA	-R Round	ST Standard
	NC⁶ Adjustable New Construction	-S Square	TL Trimless
	RM Adjustable Remodel		WC Trimless Wood Ceiling
			ACT⁶ (Premium) Acoustic Tile
DRIVER ASSEMBLY			
WATTAGE	LED DIMMING DRIVER	HANGER BAR	WARM DIM
-10 10 Watt	S² Universal Dim Driver: 1%-100% 0-10V, TRIAC, ELV, 120V/277V	-SHB Standard	(blank) Standard
-15 15 Watt	L3² Lutron Hi-Lume® Dim Driver: 1%-100% EcoSystem, 120V/277V	-C24 24" C-Channel	-WD⁴ Warm Dim
-20⁵ 20 Watt	EL1 EldoLED DALI Dim: 1%-100% DALI, 120V/277V	-C48 48" C-Channel	
-25⁵ 25 Watt	EL2 EldoLED Dim: 1%-100% 0-10V, 120V/277V		
-30^{4,5} 30 Watt	DMX DMX Dim: 1%-100% DMX, 120V/277V		
-35^{4,5} 35 Watt	EM^{5,7} Standard, Universal Dim, Triac/ELV/0-10V 1% 120/277 w/Integral 7 Watt EM Battery Pack		
	REMOTE LED DIMMING DRIVER		
	SR1³ Remote Universal Dim: 1%-100% 0-10V, TRIAC, or ELV, 120V/277V	Hanger bars not included with RM housings	

1. 30W & 35W option only available for NC (Adjustable New Construction), RM (Adjustable Remodel), SNC (Shallow New Construction) housings.
 2. Ambient temperature rated for 25° C.
 3. TRIAC, ELV dimming for 120V only.
 4. WD CCT must also be selected in Module section.
 5. Uses Emergency Battery Pack (7W for 90 minutes) with Standard Driver. Must select EM Reflector option. IC not available with 20/25/30/35W. NC Not available with 25/30/35W. Not for RM options.
 6. For use with Premium low rigidity Acoustic Tile ceilings. Only offered with ST Trim Style. Only applicable for IC or NC Installation Types.
 7. Ambient temperature rated for 25° C when used with IC (Adjustable New Construction, IC, CCEA) housings.

4" NEW CONSTRUCTION/REMODEL TRIM (Example: A4-2790-RSTWT-STWTNL-30)

FAMILY APERTURE	LED PERFORMANCE		TRIM		
	CCT	CRI	TRIM SHAPE	TRIM STYLE	TRIM FINISH
A4- Acrobat 4"	-27 2700K	90 90 CRI	-R Round	ST Standard	TL⁷ Trimless
	-30 3000K			TL Trimless	WT White
	-35 3500K		WC Trimless Wood Ceiling	BK Black	
	-40 4000K		ACT (Premium) Acoustic Tile	CN Champagne	
	-WD⁶ 1800K-3000K		SA Satin Aluminum	CC¹ Custom Color	

REFLECTOR			OPTIC AND MEDIA		
REFLECTOR STYLE	REFLECTOR FINISH	REFLECTOR LENS	OPTIC	MEDIA 1	MEDIA 2
-ST² Standard	WT White	NL⁹ No Lens	-10 10° Spot	(blank) None	(blank) None
-PH² Pinhole	BK Black	CL⁸ Clear	-30 30° Narrow Flood	CL⁸ Clear Lens	CL⁸ Clear Lens
-SP² Slot Pinhole	CA^{4,9} Clear Alzak	MP⁸ Solite	-50 50° Flood	MP⁸ Solite Lens	MP⁸ Solite Lens
-SW⁸ Wall Wash	CN Champagne	FR⁸ Frosted	-80 80° Wide Flood	FR⁸ Frosted Lens	FR⁸ Frosted Lens
-AL^{2,3} Adjustable Lensed	SA Satin Aluminum			LS⁸ Linear Spread Lens	LS⁸ Linear Spread Lens
-EM⁹ Emergency Battery Pack	CC¹ Custom Color			HX^{5,8} Hex Louver	

1. Custom Color only available for ST (Standard) Trim and ST (Standard), AL (Adjustable Lensed), and EM (Emergency Battery Pack) Reflectors only. Contact CSL for details.
 2. Wet Location rated when used with Reflector Lens.
 3. Must be ordered with corresponding Reflector Lens.
 4. CA (Clear Alzak) Finish only available for R (Round) reflectors as ST (Standard) or AL (Adjustable Lens) styles.
 5. Cannot be used with a second Media.
 6. Media 1 lens required. For WD with 10°, 30°, 50° Optic use MP (Solite Lens). For WD with 80° Optic use FR (Frosted Lens).
 7. Must be used with TL or WC trim style.
 8. Reflector and Media Lenses cannot be added with Wall Wash selection.
 9. EM adds test switch to Standard Trim. Not available with CA color option. Available for NL Reflector Lens option only.

Project: _____
 Type: _____
 Note: _____

ACROBAT 4" LED DOWNLIGHT

ORDER MATRIX

A4-SIC, A4-SNC

4" SHALLOW PLENUM NEW CONSTRUCTION HOUSING (Example: A4-SIC-RST-02790-30-10S-SHB)

HOUSING BASE							
FAMILY APERTURE	INSTALLATION TYPE		TRIM SHAPE		TRIM STYLE		
A4- Acrobat 4"	SIC	Shallow Plenum New Construction, IC, CCEA	-R	Round	ST	Standard	
	SNC	Shallow Plenum New Construction	-S	Square	TL	Trimless	
					WC	Trimless Wood Ceiling	
CEILING	LED PERFORMANCE			OPTIC AND MEDIA			
CEILING THICKNESS	CCT	CRI	OPTIC	MEDIA 1	MEDIA 2		
-0 ½" Ceiling Thickness	27 2700K	90 90 CRI	-10 10° Spot	(blank) None	(blank) None		
-1 1¼" Ceiling Thickness	30 3000K		-30 30° Narrow Flood	CL ⁵ Clear Lens	CL ⁶ Clear Lens		
-2 2" Ceiling Thickness	35 3500K		-50 50° Flood	MP ⁶ Solite Lens	MP ⁶ Solite Lens		
	40 4000K		-80 80° Wide Flood	FR ⁶ Frosted Lens	FR ⁶ Frosted Lens		
	WD ³ 1800K-3000K			LS ⁶ Linear Spread Lens	LS ⁶ Linear Spread Lens		
				HX ^{1,6} Hex Louver			
DRIVER ASSEMBLY							
WATTAGE	LED DIMMING DRIVER				HANGER BAR		
-10 10 Watt	S ⁵	Universal Dim Driver: 1%-100% 0-10V, TRIAC, ELV, 120V/277V				-SHB Standard	
-15 15 Watt	L3 ⁴	Lutron Hi-Lume® Dim Driver: 1%-100% EcoSystem, 120V/277V				-C24 24" C-Channel	
-20 20 Watt	EL1	EldoLED DALI Dim: 1%-100% DALI, 120V/277V				-C48 48" C-Channel	
-25 ² 25 Watt	EL2	EldoLED Dim: 1%-100% 0-10V, 120V/277V					
	DMX	DMX Dim: 1%-100% DMX, 120V/277V					
	REMOTE LED DIMMING DRIVER						
	SR1 ⁵	Remote Universal Dim: 1%-100% 0-10V, TRIAC, or ELV, 120V/277V					

1. Cannot be used with a second media.
 2. 25W option is only available for SNC configurations.

3. Media 1 lens required. For WD with 10°, 30°, 50° Optic use MP (Solite Lens). For WD with 80° Optic use FR (Frosted Lens).

4. Ambient temperature rated for 25° C.
 5. TRIAC, ELV dimming for 120V only.
 6. Media Lens not available with Wall Wash selection.

4" SHALLOW PLENUM NEW CONSTRUCTION TRIM (Example: A4-RSTWT-STWT-NL)

TRIM				REFLECTOR			
FAMILY APERTURE	TRIM SHAPE	TRIM STYLE	TRIM FINISH	REFLECTOR STYLE	REFLECTOR FINISH	REFLECTOR LENS	
A4- Acrobat 4"	R Round S Square	ST Standard	TL ⁴ Trimless	-ST ² Standard	WT White	-NL No Lens	
		TL Trimless	WT White	-PH ² Pinhole	BK Black	-CL ⁵ Clear	
		WC Trimless Wood Ceiling	BK Black	-SP ² Slot Pinhole	CA ³ Clear Alzak	-MP ⁵ Solite	
			CN Champagne	-SW ⁵ Wall Wash	CN Champagne	-FR ⁵ Frosted	
			SA Satin Aluminum		SA Satin Aluminum		
			CC ¹ Custom Color		CC ¹ Custom Color		

1. Custom color only available for ST (Standard) Trim and ST (Standard), AL (Adjustable Lens), and EM (Emergency Battery Pack) Reflectors only. Contact CSL for details.
 2. Wet Location rated when used with Reflector Lens.

3. CA (Clear Alzak) Finish only available for Round reflectors as ST (Standard) or AL (Adjustable Lens) styles.
 4. Must be used with TL or WC trim style.
 5. Reflector and Media Lenses cannot be added with Wall Wash selection.

REMOTE EMERGENCY OPTIONS

EM-1000 25W Remote Inverter	EM-1003-CA 35W Remote Inverter - Title 20	EM-1006 25W Remote Inverter - Title 20
EM-1002 10W Remote Emergency Driver - Title 20	EM-1004 50W Remote Inverter	

Project: _____
 Type: _____
 Note: _____

ACROBAT 4" LED DOWNLIGHT

HOUSING AND LIGHT ENGINE LINE DRAWINGS

A4-IC

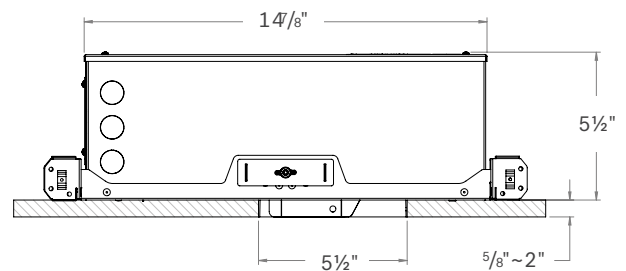
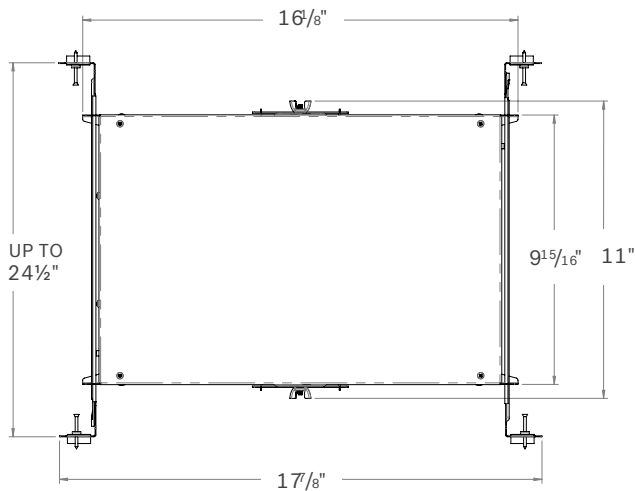
New Construction IC Housing



A4-IC-R
 Acrobat 4" - Adjustable New Construction IC Housing
 Round with Round Trim



A4-IC-S
 Acrobat 4" - Adjustable New Construction IC Housing
 Square with Square Trim



Project: _____
 Type: _____
 Note: _____

ACROBAT 4" LED DOWNLIGHT

HOUSING AND LIGHT ENGINE LINE DRAWINGS

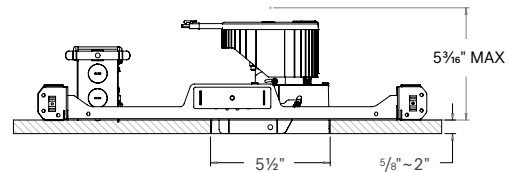
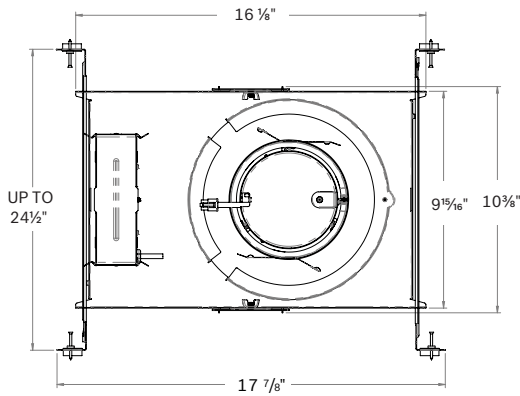
A4-NC
New Construction Housing



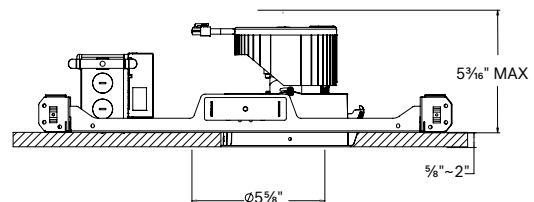
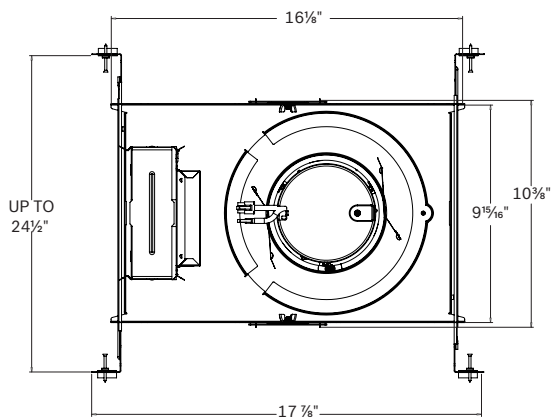
A4-NC-R
Acrobat 4" - Adjustable New Construction Housing
Round with Round Trim



A4-NC-S
Acrobat 4" - Adjustable New Construction Housing
Square with Square Trim



A4-NC-EM



Project: _____
 Type: _____
 Note: _____

ACROBAT 4" LED DOWNLIGHT

HOUSING AND LIGHT ENGINE LINE DRAWINGS

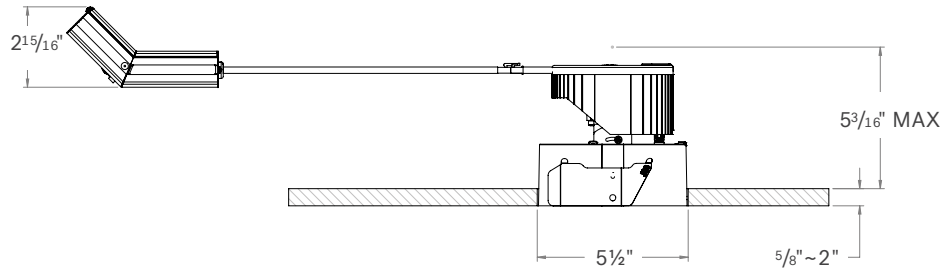
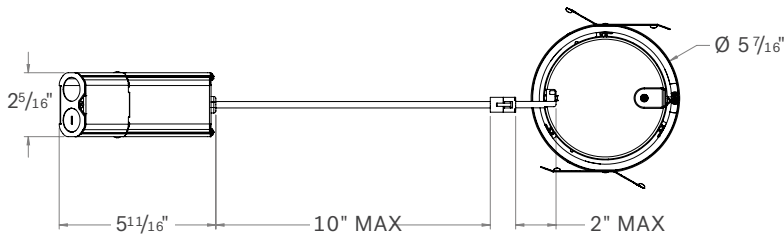
A4-RM
Remodel Housing



A4-RM-R
Acrobat 4" - Adjustable Remodel Housing
Round with Round Trim



A4-RM-S
Acrobat 4" - Adjustable Remodel Housing
Square with Square Trim



ACROBAT 4" LED DOWNLIGHT

HOUSING AND LIGHT ENGINE LINE DRAWINGS

A4-SIC, A4-SNC Shallow Plenum Housing

CEILING THICKNESS



A4-SIC-R

Acrobat 4" - Shallow Plenum New Construction IC Housing Round



A4-SIC-S

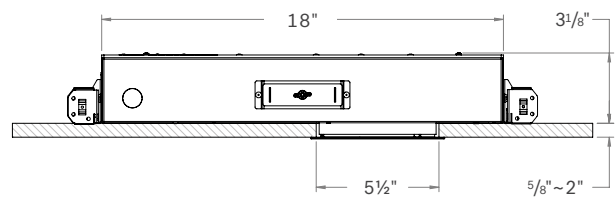
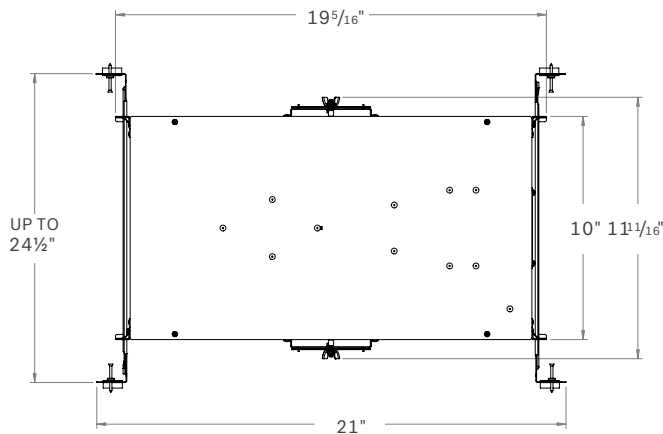
Acrobat 4" - Shallow Plenum New Construction IC Housing Square

A4-SNC-R

Acrobat 4" - Shallow Plenum New Construction Housing Round

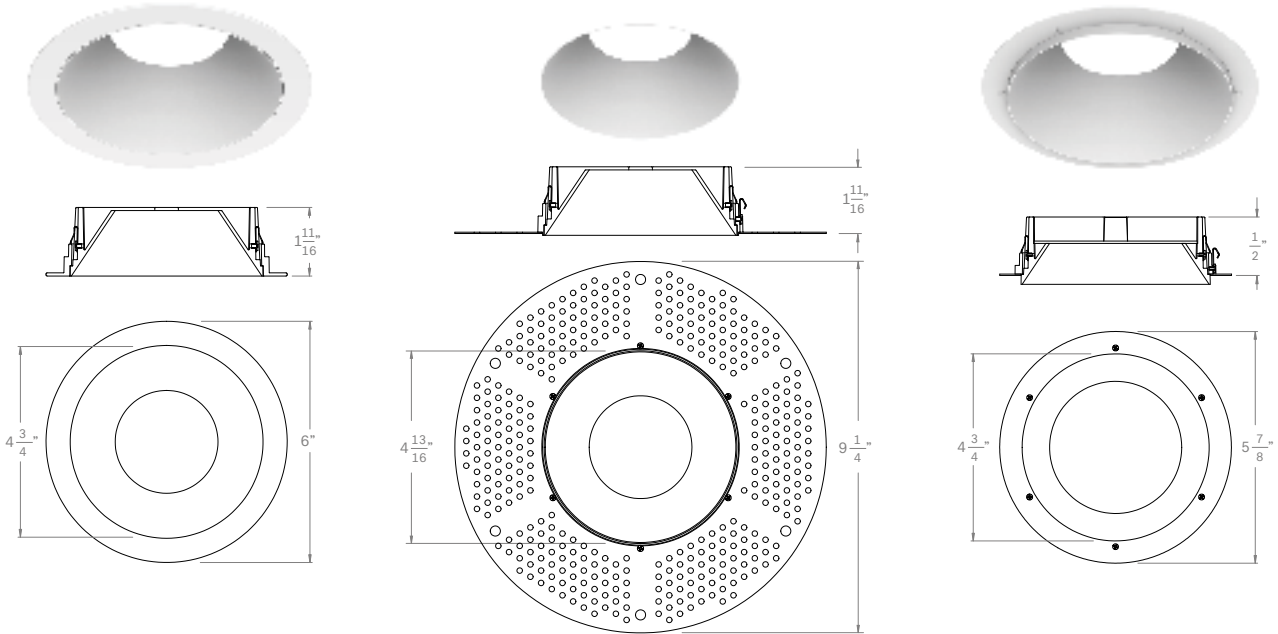
A4-SNC-S

Acrobat 4" - Shallow Plenum New Construction Housing Square



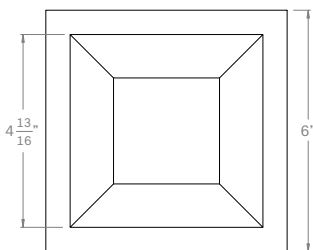
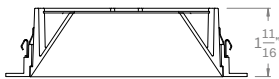
ACROBAT 4" LED DOWNLIGHT

TRIM STYLES



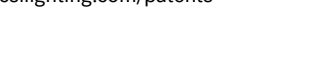
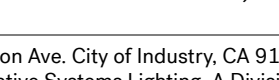
RST

3" Acrobat Round Standard Trim
(with Standard Reflector)



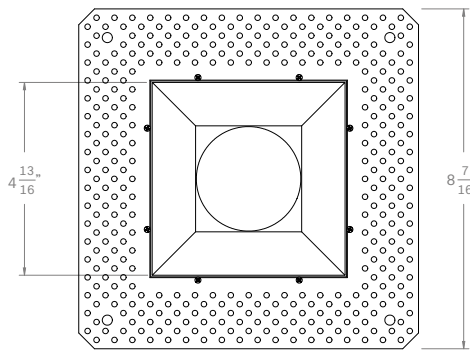
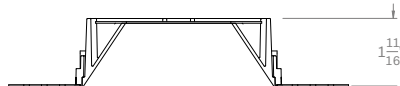
SST

3" Acrobat Square Standard Trim
(with Standard Reflector)



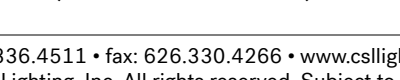
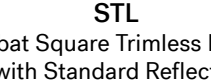
RTL

3" Acrobat Round Trimless Mud Plate
(with Standard Reflector)



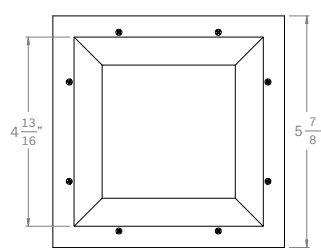
STL

3" Acrobat Square Trimless Mud Plate
(with Standard Reflector)



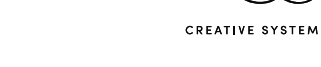
RWC

3" Acrobat Round Wood Ceiling Trim
(with Standard Reflector)



SWC

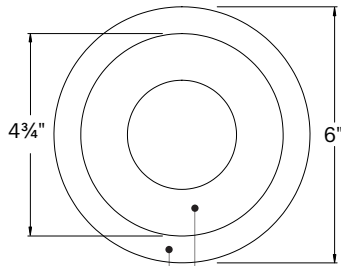
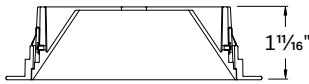
3" Acrobat Square Wood Ceiling Trim
(with Standard Reflector)



Project: _____
 Type: _____
 Note: _____

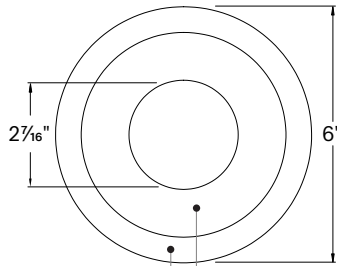
ACROBAT 4" LED DOWNLIGHT

REFLECTOR STYLE (ROUND)



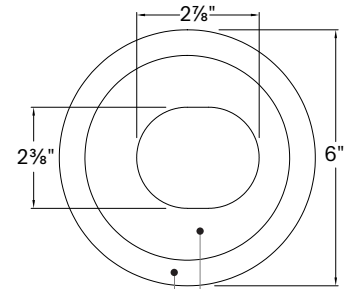
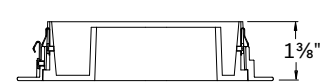
Trim Reflector
RST -ST

4" Acrobat Round Standard Trim with Standard Reflector



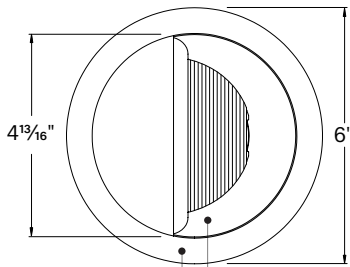
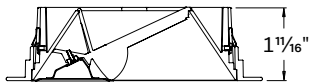
Trim Reflector
RST -PH

4" Acrobat Round Standard Trim with Pinhole Reflector



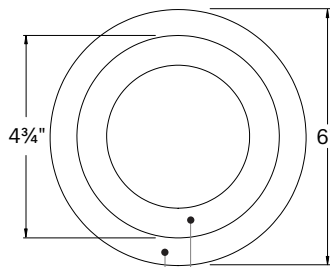
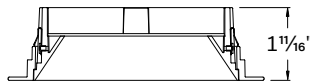
Trim Reflector
RST -SP

4" Acrobat Round Standard Trim with Slot Pinhole Reflector



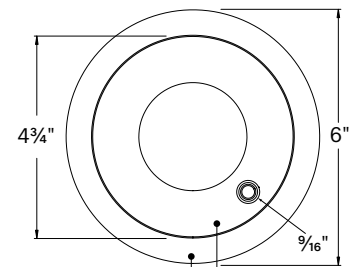
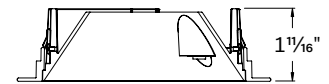
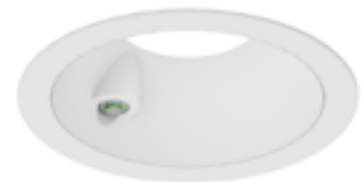
Trim Reflector
RST -SW

4" Acrobat Round Standard Trim with Wall Wash Reflector



Trim Reflector
RST -AL

4" Acrobat Round Standard Trim with Adjustable Lensed Reflector

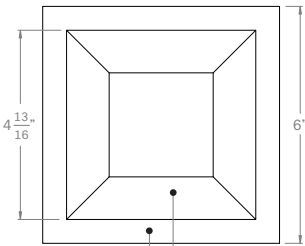
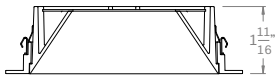


Trim Reflector
RST -EM

4" Acrobat Round Standard Trim with Emergency Battery Pack Reflector

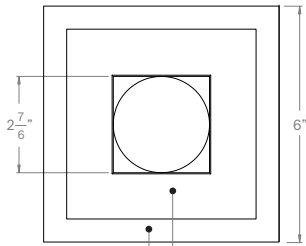
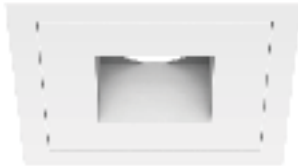
ACROBAT 4" LED DOWNLIGHT

REFLECTOR STYLE (SQUARE)



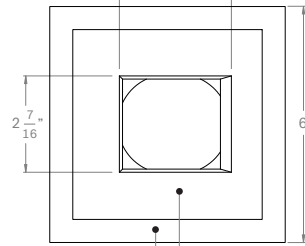
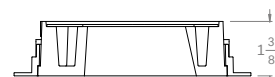
Trim Reflector
SST -ST

4" Acrobat Square Standard Trim with Standard Reflector



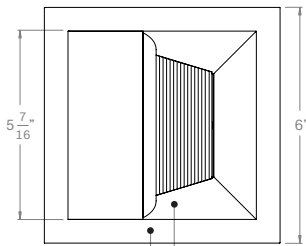
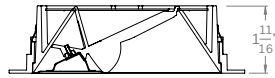
Trim Reflector
SST -PH

4" Acrobat Square Standard Trim with Pinhole Reflector



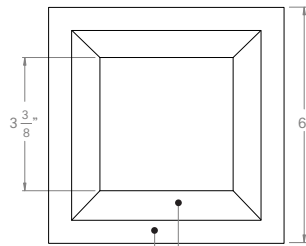
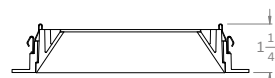
Trim Reflector
SST -SP

4" Acrobat Square Standard Trim with Slot Pinhole Reflector



Trim Reflector
SST -SW

4" Acrobat Square Standard Trim with Wall Wash Reflector



Trim Reflector
SST -AL

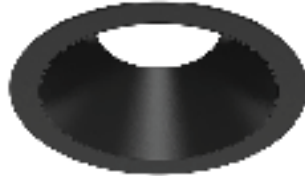
4" Acrobat Square Standard Trim with Adjustable Lensed Reflector

ACROBAT 4" LED DOWNLIGHT

TRIM FINISHES



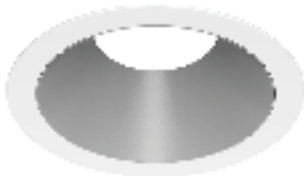
RSTWT-STWT
WT White Trim
WT White Reflector



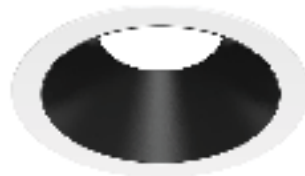
RSTBK-STBK
BK Black Trim
BK Black Reflector



RSTCN-STCN
CN Champagne Trim
CN Champagne Reflector



RSTWT-STSA
WT White Trim
SA Satin Aluminum



RSTWT-STBK
WT White Trim
BK Black Reflector



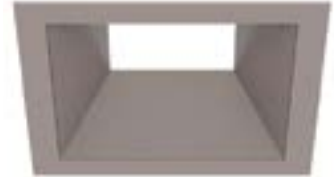
RSTWT-STCN
WT White Trim
CN Champagne Reflector



SSTWT-STWT
WT White Trim
WT White Reflector



SSTBK-STBK
BK Black Trim
BK Black Reflector



SSTCN-STCN
CN Champagne Trim
CN Champagne Reflector



SSTWT-STSA
WT White Trim
SA Satin Aluminum



SSTWT-STBK
WT White Trim
BK Black Reflector



SSTWT-STCN
WT White Trim
CN Champagne Reflector

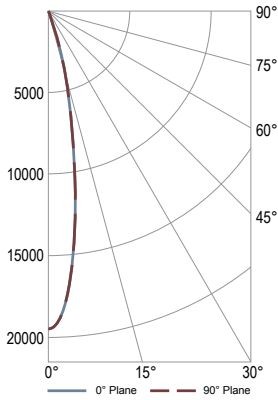
Project: _____
 Type: _____
 Note: _____

ACROBAT 4" LED DOWNLIGHT

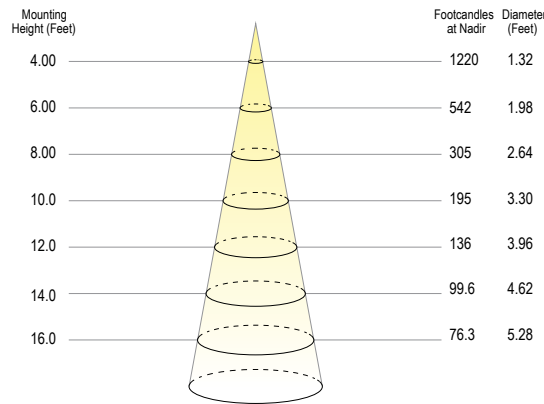
PHOTOMETRICS

Acrobat Downlight 4" NC, RM Models (2700K, 90 CRI, 10° Optic, 35W) Round, Standard, White Trim

Polar Plot



Cone of Light Tabulation



VOLTAGE	CURRENT	POWER
120.1 VAC	0.3156 A	37.45 W

POWER FACTOR	FREQUENCY	CURRENT THD
0.989	60 Hz	11.7%

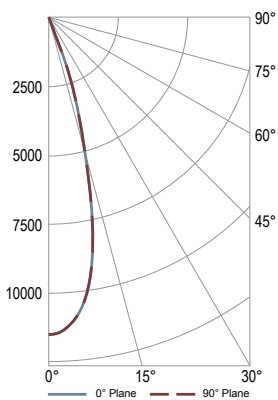
Summary of Results

Spacing Criteria	Total Lumen Output:	2717 Lumens
0-180: 0.33	Luminaire Efficacy:	72.5 lm/w
90-270: 0.33	Maximum Candela:	19521 Candela

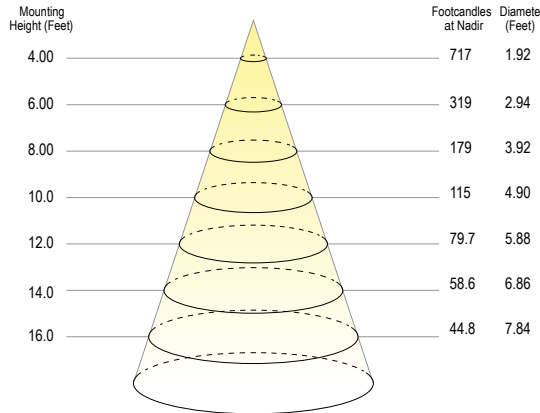
ZONE	LUMENS	% OF LUMINAIRE
0-40	2683	98.7%
0-60	2712	99.8%
0-90	2717	100%

Acrobat Downlight 4" NC, RM Models (2700K, 90 CRI, 30° Optic, 35W) Round, Standard, White Trim

Polar Plot



Cone of Light Tabulation



VOLTAGE	CURRENT	POWER
120.0 VAC	0.3162 A	37.5 W

POWER FACTOR	FREQUENCY	CURRENT THD
0.989	60 Hz	11.7%

Summary of Results

Spacing Criteria	Total Lumen Output:	2852 Lumens
0-180: 0.49	Luminaire Efficacy:	76.0 lm/w
90-270: 0.49	Maximum Candela:	11680 Candela

ZONE	LUMENS	% OF LUMINAIRE
0-40	2818	98.8%
0-60	2846	99.8%
0-90	2852	100%

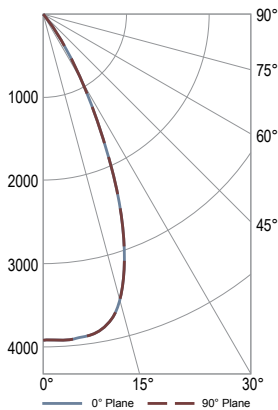
Project: _____
 Type: _____
 Note: _____

ACROBAT 4" LED DOWNLIGHT

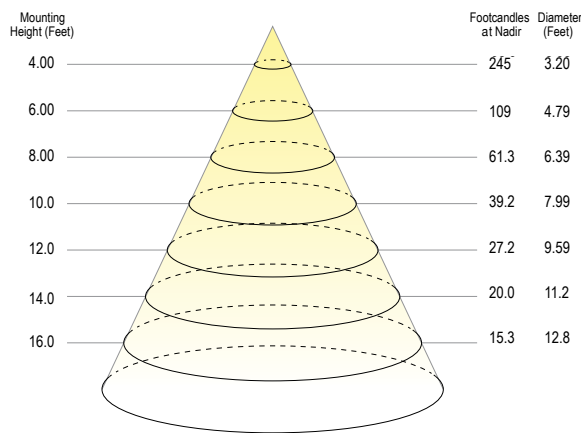
PHOTOMETRICS

Acrobat Downlight 4" NC, RM Models (2700K, 90 CRI, 50° Optic, 35W)
 Round, Standard, White Trim

Polar Plot



Cone of Light Tabulation



VOLTAGE	CURRENT	POWER
120.0 VAC	0.3180 A	37.68 W

POWER FACTOR	FREQUENCY	CURRENT THD
0.987	60 Hz	12.5%

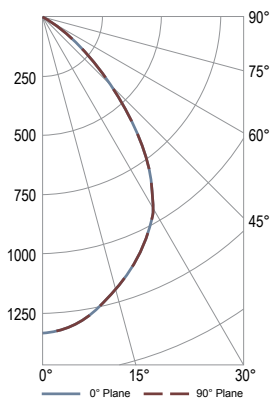
Summary of Results

Spacing Criteria	Total Lumen Output:	2527 Lumens
0-180: 0.80	Luminaire Efficacy:	67.1 lm/w
90-270: 0.80	Maximum Candela:	3935 Candela

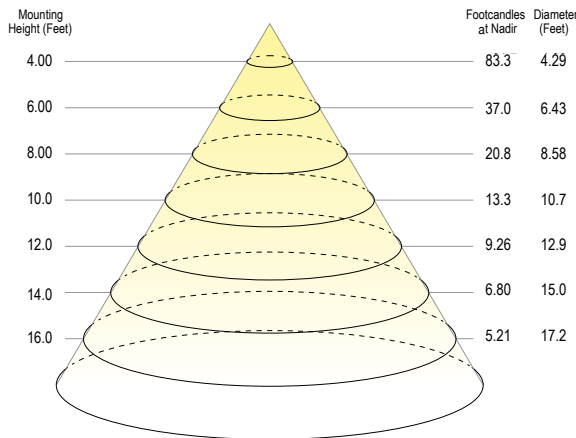
ZONE	LUMENS	% OF LUMINAIRE
0-40	2453	97.1%
0-60	2521	99.8%
0-90	2527	100%

Acrobat Downlight 4" NC, RM Models (2700K, 90 CRI, 80° Optic, 35W)
 Round, Standard, White Trim

Polar Plot



Cone of Light Tabulation



VOLTAGE	CURRENT	POWER
120.1 VAC	0.315 A	37.47 W

POWER FACTOR	FREQUENCY	CURRENT THD
0.989	60 Hz	11.7%

Summary of Results

Spacing Criteria	Total Lumen Output:	2219 Lumens
0-180: 1.07	Luminaire Efficacy:	59.2 lm/w
90-270: 1.07	Maximum Candela:	1333 Candela

ZONE	LUMENS	% OF LUMINAIRE
0-40	1686	76.0%
0-60	2188	98.6%
0-90	2219	100%

Project: _____
 Type: _____
 Note: _____

ACROBAT 4" LED DOWNLIGHT

DIMMING DRIVER COMPATIBILITY

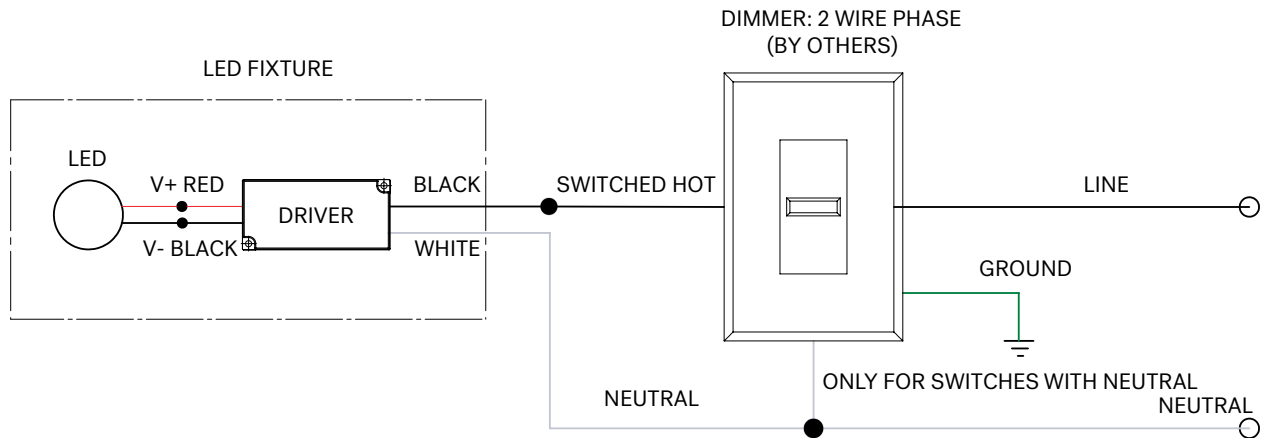
DIMMER LIST

"S" ERP PHASE-CUT DIMMERS

DIMMER INFORMATION			
MANUFACTURER	PRODUCT	MANUFACTURER	PRODUCT
Cooper	DAL06P	Lightolier	ZP260QEW
	DLC03P	Lutron	CT103P
	SLC03P		DV600P
Leviton	6161		DVCL-153P
	6631-2		DVELV303P
	6633-P		FAELV500
	6673-10W		LG600P
	6683-IW		MAELV600
	IPE04		S600P
	IPI06-1LZ		S-603PG
	VPE06		SELV300P
			TG-600P
			TGCL-153P

NOTE: Wiring diagrams are examples of typical installations intended to illustrate the number of wires that must be run to fixture. These diagrams are not intended to specify all equipment necessary for a given dimming circuit. Refer to specific dimmer manufacturer's documentation for details.

S- ERP DRIVER 2 WIRE PHASE DIMMING



IMPORTANT SAFETY INSTRUCTIONS - SAVE THESE INSTRUCTIONS

1. Keep these instructions in a safe place for future reference.
2. Only qualified electricians in accordance to local codes should install these fixtures
3. De-energize the electrical circuit at the circuit breaker prior to installation process or servicing.
4. Make sure all connections are in accordance with the National Electrical Code and any local regulations.
5. Cap any wires not used separately (not together).

Project: _____
 Type: _____
 Note: _____

ACROBAT 4" LED DOWNLIGHT

DIMMING DRIVER COMPATIBILITY

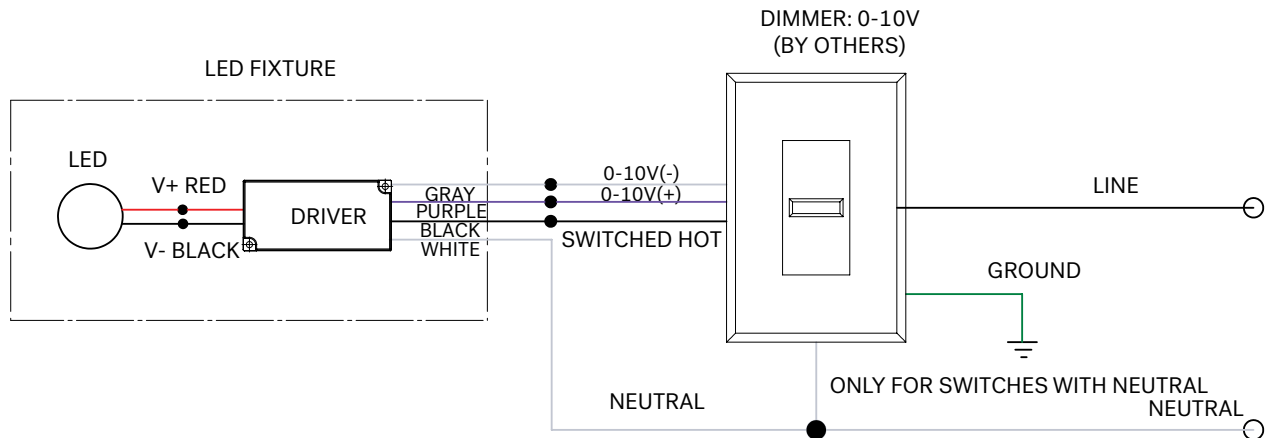
DIMMER LIST

"S" ERP 0-10V

DIMMER INFORMATION	
MANUFACTURER	PRODUCT
Leviton	IP740-DLZ
Lightolier	ZP600FAM120
	V2000FAMU
Lutron	DVTV
	NTFTV
Crestron	CLS-EXP-DIMFLV
	DIN-4DIMFLV4
	DIN-A08
	GLX-DIMFLV8

NOTE: Wiring diagrams are examples of typical installations intended to illustrate the number of wires that must be run to fixture. These diagrams are not intended to specify all equipment necessary for a given dimming circuit. Refer to specific dimmer manufacturer's documentation for details.

S-ERP DRIVER 0-10V DIMMING



IMPORTANT SAFETY INSTRUCTIONS - SAVE THESE INSTRUCTIONS

1. Keep these instructions in a safe place for future reference.
2. Only qualified electricians in accordance to local codes should install these fixtures
3. De-energize the electrical circuit at the circuit breaker prior to installation process or servicing.
4. Make sure all connections are in accordance with the National Electrical Code and any local regulations.
5. Cap any wires not used separately (not together).

Project: _____
 Type: _____
 Note: _____

ACROBAT 4" LED DOWNLIGHT

DIMMING DRIVER COMPATIBILITY

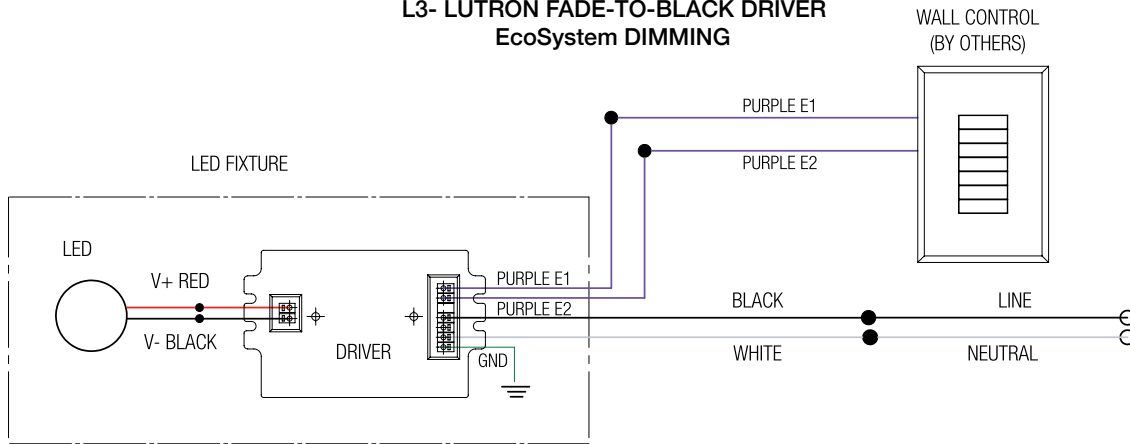
DIMMER LIST

"L3" LUTRON FADE-TO-BLACK

DIMMER INFORMATION	
MANUFACTURER	PRODUCT
Lutron	LQSE-2ECO-D
	RMJ-ECO32-DV-B
	FCJ/FCJS-ECO
	QSN-1ECO-S
	QSN-2ECO-S
	EcoSystem ESN
	Grafik Eye QS with EcoSystem
	Quantum

NOTE: Wiring diagrams are examples of typical installations intended to illustrate the number of wires that must be run to fixture. These diagrams are not intended to specify all equipment necessary for a given dimming circuit. Refer to specific dimmer manufacturer's documentation for details.

L3- LUTRON FADE-TO-BLACK DRIVER EcoSystem DIMMING



IMPORTANT SAFETY INSTRUCTIONS - SAVE THESE INSTRUCTIONS

1. Keep these instructions in a safe place for future reference.
2. Only qualified electricians in accordance to local codes should install these fixtures
3. De-energize the electrical circuit at the circuit breaker prior to installation process or servicing.
4. Make sure all connections are in accordance with the National Electrical Code and any local regulations.
5. Cap any wires not used separately (not together).

Project: _____
 Type: _____
 Note: _____

ACROBAT 4" LED DOWNLIGHT

DIMMING DRIVER COMPATIBILITY

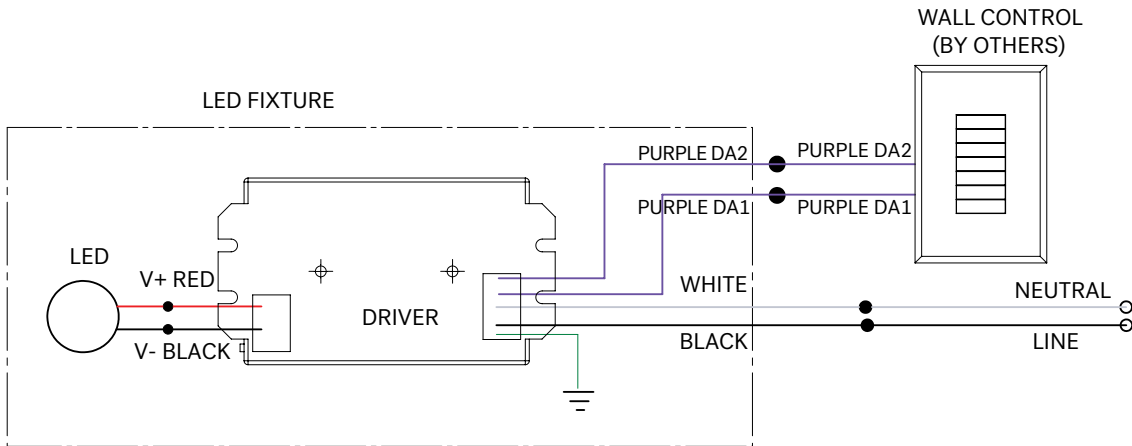
DIMMER LIST

"EL1" eldoLED DALI 1%

DIMMER INFORMATION	
MANUFACTURER	PRODUCT
	DALI Controls

NOTE: Wiring diagrams are examples of typical installations intended to illustrate the number of wires that must be run to fixture. These diagrams are not intended to specify all equipment necessary for a given dimming circuit. Refer to specific dimmer manufacturer's documentation for details.

EL1- eldoLED DRIVER
DALI DIMMING



IMPORTANT SAFETY INSTRUCTIONS - SAVE THESE INSTRUCTIONS

1. Keep these instructions in a safe place for future reference.
2. Only qualified electricians in accordance to local codes should install these fixtures
3. De-energize the electrical circuit at the circuit breaker prior to installation process or servicing.
4. Make sure all connections are in accordance with the National Electrical Code and any local regulations.
5. Cap any wires not used separately (not together).

Project: _____
 Type: _____
 Note: _____

ACROBAT 4" LED DOWNLIGHT

DIMMING DRIVER COMPATIBILITY

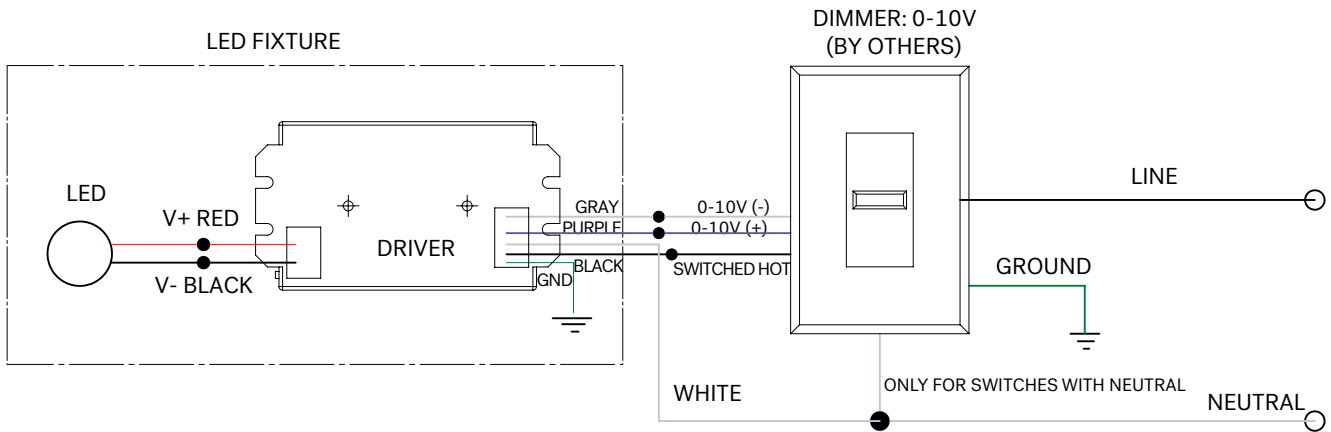
DIMMER LIST

"EL2" eLdoLED 0-10V 1%

DIMMER INFORMATION	
MANUFACTURER	PRODUCT
Leviton	IP740-DLZ
Lightolier	ZP600FAM120
Lutron	DVTV
	NTFTV
	NFTV
Crestron	CLS-EXP-DIMFLV
	DIN-4DIMFLV4
	DIN-A08
	GLX-DIMFLV8

NOTE: Wiring diagrams are examples of typical installations intended to illustrate the number of wires that must be run to fixture. These diagrams are not intended to specify all equipment necessary for a given dimming circuit. Refer to specific dimmer manufacturer's documentation for details.

EL2- eLdoLED DRIVER 0-10V DIMMING



IMPORTANT SAFETY INSTRUCTIONS - SAVE THESE INSTRUCTIONS

1. Keep these instructions in a safe place for future reference.
2. Only qualified electricians in accordance with local codes should install these fixtures
3. De-energize the electrical circuit at the circuit breaker prior to installation process or servicing.
4. Make sure all connections are in accordance with the National Electrical Code and any local regulations.
5. Cap any wires not used separately (not together).

Project: _____
 Type: _____
 Note: _____

ACROBAT 4" LED DOWNLIGHT

DIMMING DRIVER COMPATIBILITY

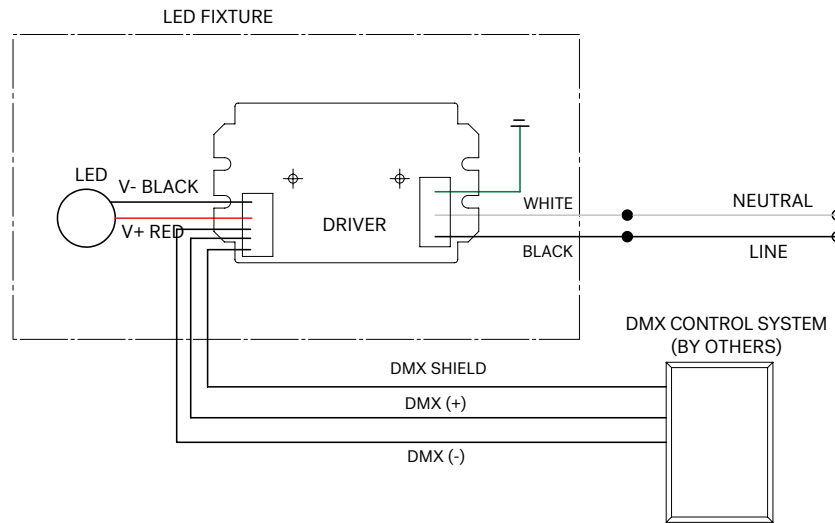
DIMMER LIST

"DMX" Moons

DIMMER INFORMATION	
MANUFACTURER	PRODUCT
	DMX Controls

NOTE: Wiring diagrams are examples of typical installations intended to illustrate the number of wires that must be run to fixture. These diagrams are not intended to specify all equipment necessary for a given dimming circuit. Refer to specific dimmer manufacturer's documentation for details.

DMX DRIVER WIRING DIAGRAM



IMPORTANT SAFETY INSTRUCTIONS - SAVE THESE INSTRUCTIONS

1. Keep these instructions in a safe place for future reference.
2. Only qualified electricians in accordance to local codes should install these fixtures
3. De-energize the electrical circuit at the circuit breaker prior to installation process or servicing.
4. Make sure all connections are in accordance with the National Electrical Code and any local regulations.
5. Cap any wires not used separately (not together).