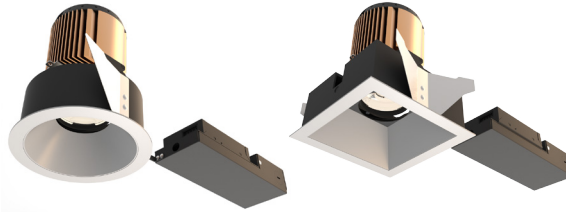


4" acrobat LED Downlight - Warm Dimming

Remodel Housing

Round or Square / Trimmed or Trimless



Wattage	CCT	Delivered Lumens	Efficacy
10W	1850 - 3000K	680lm	68lpw
15W	1850 - 3000K	990lm	66lpw
20W	1850 - 3000K	1280lm	64lpw

Lumens will vary depending on CCT, optic & lens option

Description

- Acrobat downlight delivers over 1250lm through a 4" aperture with four optical distributions. Delivered lumens are maintained in different ceiling thicknesses.
- Drivers are accessible from below the ceiling.

LED Light Engine

Warm dimming LED technology provides the natural sensation of circadian rhythm.

Field Replaceable Dimming Driver

- Power factor > 0.9, 50/60Hz
- Multiple dimming drivers available
- Complies with IEEE62.41 surge protection

Housing

Non-IC rated housing must be kept a minimum of 3" from insulation. 18 gauge galvanized steel housing and junction box with (3) 1/2" trade size knockouts. Includes (2) steel compression clips for installation below the ceiling. Max. ambient temperature: 104°F (40°C)

Ceiling Thickness

- Accommodates ceiling thickness from 1/2" to 2"
- Delivered lumens are maintained through entire range

Trim Style

- Round spun aluminum trim with anodized finishes, consult factory for custom finishes
- Square die-cast aluminum trim with powder coat finishes, consult factory for custom finishes
- Trimless mud plate option available

Accessories

Accommodates (2) accessories, a media holder is required. Accessories are not compatible when used with lensed trim.

Emergency

Remote inverter operates for 90 minutes with remote test switch available, requires above ceiling access.

Listing/Warranty

- Patent pending
- Five (5) year limited warranty
- UL listed to US and Canadian standards for damp locations
- UL listed to US and Canadian standards for wet locations when used with lens



Housing Order Matrix (Example: A4-RM10S-RWH00)

Installation Type	Wattage	Driver	Aperture	Flange Finish	Rev
A4-RM (Non-IC)	10 (10W)	S' (ERP, Universal Dim, Triac/ELV/0-10V 10% 120-277V)	-R (Round) -S (Square)	WH (White)	00
	15 (15W)	L1 (Lutron Hi-lume® 2-Wire 1% 120V)		BL (Black)	
	20 (20W)	L2 (Lutron EcoSystem® 5% 120-277V)	SA (Satin Aluminum)		
		L3 (Lutron Hi-lume® Fade-to-Black 1% 120-277V)	BZ (Bronze)		
	EL1 (eldoLED DALI 1% 120-277V)	TL (Trimless Mud Plate)			
	EL2 (eldoLED 0-10V 1% 120-277V)				
	DMX (DMX 1% 120-277V)				
	LR1 (Remote Lutron Hi-lume® 2-Wire 1% 120V)				
	SR1' (Remote ERP, Universal Dim, Triac/ELV/0-10V 10% 120-277V)				

1. Forward and reverse phase dimming at 120V only
All drivers are accessible from below the ceiling.

Trim Order Matrix (Example: A4-1RWHWD30-NL-00)

Trim	Aperture	Reflector Finish	LED Light Engine	Optic	Lens Type	Rev
A4-1	R (Round) S (Square)	WH (White)	WD (Warm Dim)	10 (Spot) 30 (Narrow Flood) 50 (Flood) 80 (Wide Flood)	-NL (No Lens - damp location)	-00
		CA² (Clear Alzak)			-FR (Frosted - wet location)	
	BL (Black)	-MP (Solite - wet location)				
	SA (Satin Aluminum)	-CL (Clear - wet location)				
	BZ (Bronze)					

2. Available in round aperture only

Accessories (Note: Media holder required)

A2-MHLDR	(Media Holder- required)
A2-HEX	(Hex Louver)
A2-FR	(Frosted Lens)
A2-MP	(Solite Lens)
A2-CL	(Clear Lens)
A2-LS	(Linear Spread Lens)
ABAT-RGNPLT-RND	(Round Rough-in Plate)
ABAT-RGNPLT-RND10	(Round Rough-in Plate, 10pcs)
ABAT-RGNPLT-RND5	(Round Rough-in Plate, 5pcs)
ABAT-RGNPLT-SQ	(Square Rough-in Plate)
ABAT-RGNPLT-SQ10	(Square Rough-in Plate, 10pcs)
ABAT-RGNPLT-SQ5	(Square Rough-in Plate, 5pcs)

Optics

A4-10-OPTIC	(10° Spot)
A4-30-OPTIC	(30° Narrow Flood)
A4-50-OPTIC	(50° Flood)
A4-80-OPTIC	(80° Wide Flood)

Emergency

EM-1000	(25W LED Remote Inverter)
EM-1002	(10W LED Remote Emergency Driver)
EM-1003	(35W LED Remote Inverter)
EM-1004	(50W LED Remote Inverter)

4" acrobat LED Downlight - Warm Dimming

Remodel Housing

Round or Square / Trimmed or Trimless

Catalog #:

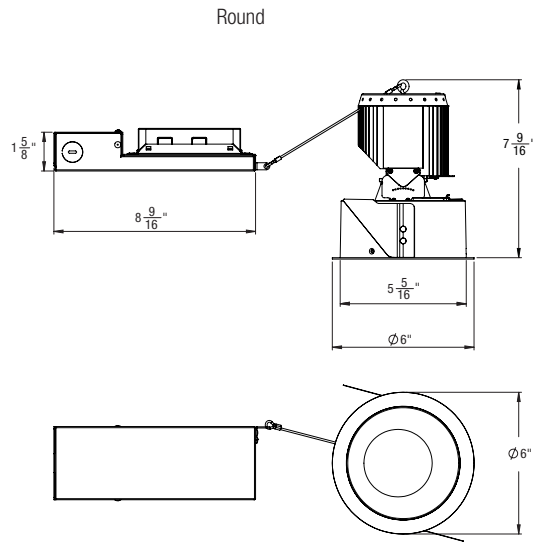
Type:

Project:

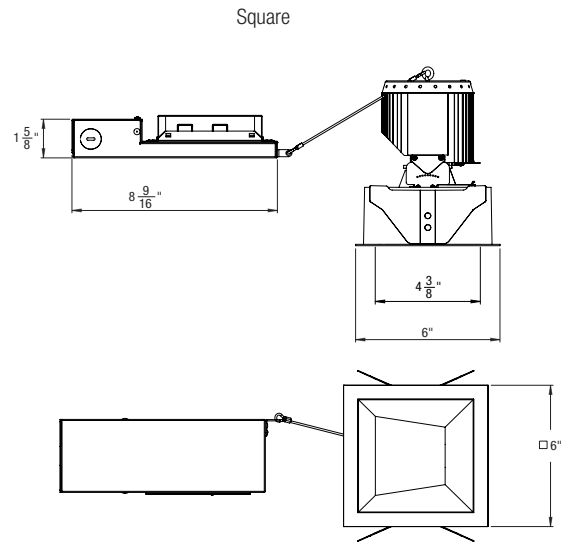
Date:

Notes:

Housing Dimensions

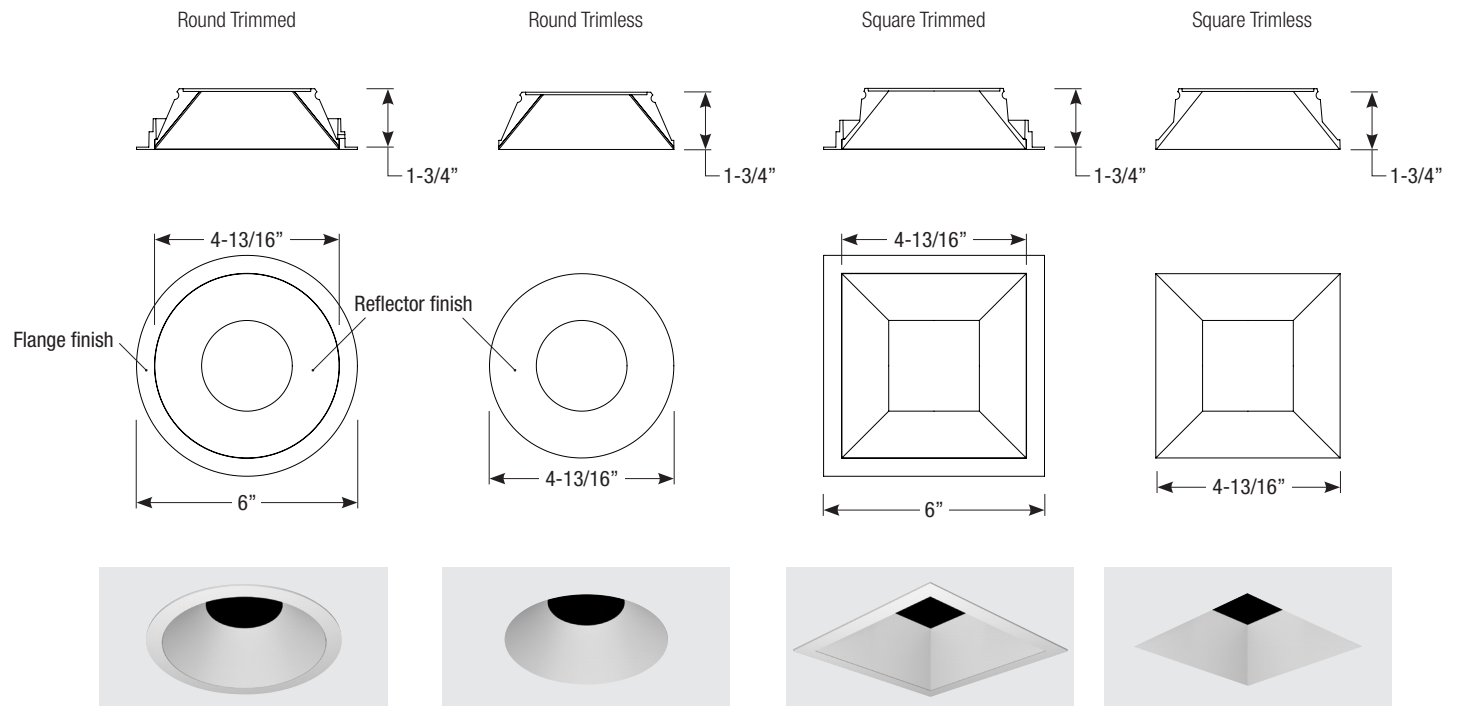


Ceiling Cut-out: 5-3/8" Ø



Ceiling Cut-out: 5-3/8" x 5-3/8"

Trim Dimensions



Spec-00202 Revised 06/04/2020