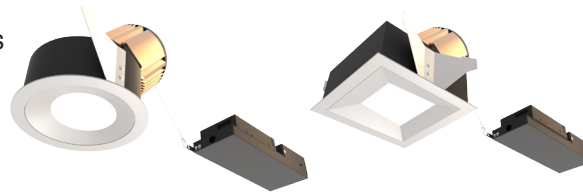


4" acrobat LED Wall Wash

Remodel Housing

Round or Square / Trimmed or Trimless



Wattage	CCT	Delivered Lumens	Efficacy
10W	3000K	656lm	66lpw
15W	3000K	980lm	65lpw
20W	3000K	1166lm	58lpw
25W	3000K	1384lm	55lpw
30W	3000K	1496lm	50lpw
35W	3000K	1725lm	49lpw

Lumens will vary depending on CCT, optic & lens option

Description

- Acrobat wall wash delivers uniform vertical and horizontal wall distribution through a 4" aperture.
- Drivers are accessible from below the ceiling.

Field Replaceable LED Light Engine

- 10W, 15W, 20W, 25W, 30W or 35W LED with 2 SDCM binning
- 2700K, 3000K, 3500K or 4000K at 90 CRI
- 50,000 hours at 70% lumen maintenance (L70)

Field Replaceable Dimming Driver

- Power factor > 0.9, 50/60Hz
- Multiple dimming drivers available
- Complies with IEEE62.41 surge protection

Adjustability

Locking 360° horizontal rotation. Adjust to 0° for spacing of 1.5 feet from wall and fixture opening center and 1.5 feet from fixture opening center to fixture opening center. Adjust to 5° for spacing of 2 feet from wall and fixture opening center and 2 feet from fixture opening center to fixture opening center. (Note: 2" ceiling thickness limits mechanism to 25° tilt).

Housing

Non-IC rated housing must be kept a minimum of 3" from insulation. 18 gauge galvanized steel housing and junction box with (3) 1/2" trade size knockouts. Includes (2) steel compression clips for installation below the ceiling. Max. ambient temperature: 104°F (40°C)

Ceiling Thickness

- Accommodates ceiling thickness from 1/2" to 2"
- Delivered lumens are maintained through entire range

Trim Style

- Round spun aluminum cut angle trim in anodized finishes available, consult factory for custom finishes
- Square die-cast aluminum cut angle trim in powder coat finishes available, consult factory for custom finishes
- Trimless mud plate option available

Emergency

Remote inverter operates for 90 minutes with remote test switch available, requires above ceiling access.

Listing/Warranty

- Patent pending
- Five (5) year limited warranty
- UL listed to US and Canadian standards for damp locations



Housing Order Matrix (Example: A4-RM35S-RWH00)

Installation Type	Wattage	Driver	Aperture	Flange Finish	Rev
A4-RM (Non-IC)	10 (10W)	S' (ERP, Universal Dim, Triac/ELV/0-10V 10% 120-277V)	-R (Round)	WH (White)	00
	15 (15W)	L1 (Lutron Hi-lume® 2-Wire 1% 120V)	-S (Square)	BL (Black)	
	20 (20W)	L2 (Lutron EcoSystem® 5% 120-277V)		SA (Satin Aluminum)	
	25 (25W)	L3 (Lutron Hi-lume® Fade-to-Black 1% 120-277V)		BZ (Bronze)	
	30 (30W)	EL1 (eldoLED DALI 1% 120-277V)		TL (Trimless)	
	35 (35W)	EL2 (eldoLED 0-10V 1% 120-277V)			
		DMX (DMX 1% 120-277V)			
		LR1 (Remote Lutron Hi-lume® 2-Wire 1% 120V)			
		SR1' (Remote ERP, Universal Dim, Triac/ELV/0-10V 10% 120-277V)			

1. Forward and reverse phase dimming at 120V only
 2. Only offer at 20W
- All drivers are accessible from below the ceiling.

Trim Order Matrix (Example: A4-7RWH2750-00)

Trim	Aperture	Reflector Finish	CCT / CRI	Optic	Rev
A4-7	R (Round) S (Square)	WH (White)	27 (2700K / 90 CRI)	50 (Wall Wash)	-00
		CA² (Clear Alzak)	30 (3000K / 90 CRI)		
		BL (Black)	35 (3500K / 90 CRI)		
		SA (Satin Aluminum)	40 (4000K / 90 CRI)		
		BZ (Bronze)			

2. Available in round aperture only

Accessories

ABAT-RGNPLT-RND	(Round Rough-in Plate)
ABAT-RGNPLT-RND10	(Round Rough-in Plate, 10pcs)
ABAT-RGNPLT-RND5	(Round Rough-in Plate, 5pcs)
ABAT-RGNPLT-SQ	(Square Rough-in Plate)
ABAT-RGNPLT-SQ10	(Square Rough-in Plate, 10pcs)
ABAT-RGNPLT-SQ5	(Square Rough-in Plate, 5pcs)

Emergency

EM-1000	(25W LED Remote Inverter)
EM-1002	(10W LED Remote Emergency Driver)
EM-1003	(35W LED Remote Inverter)
EM-1004	(50W LED Remote Inverter)

4" acrobat LED Wall Wash

Remodel Housing

Round or Square / Trimmed or Trimless

Catalog #:

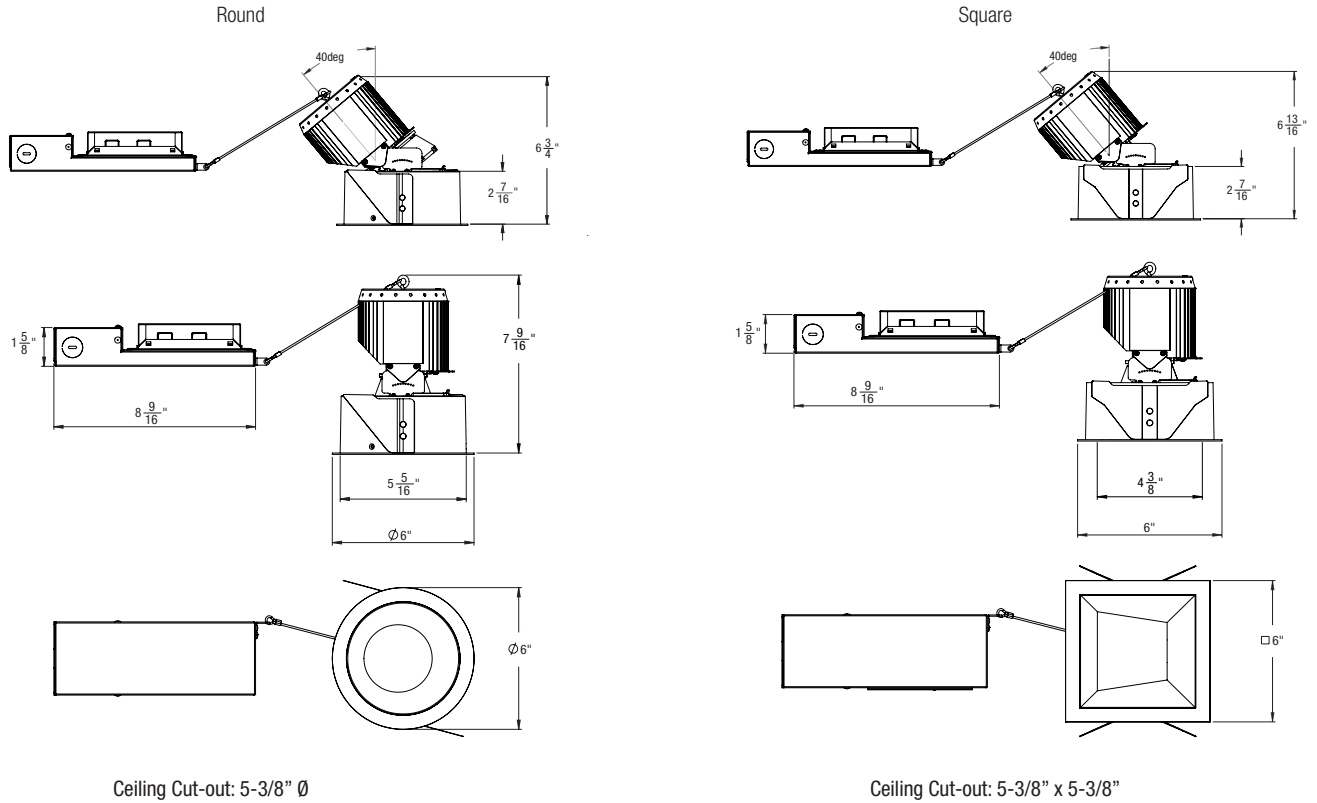
Type:

Project:

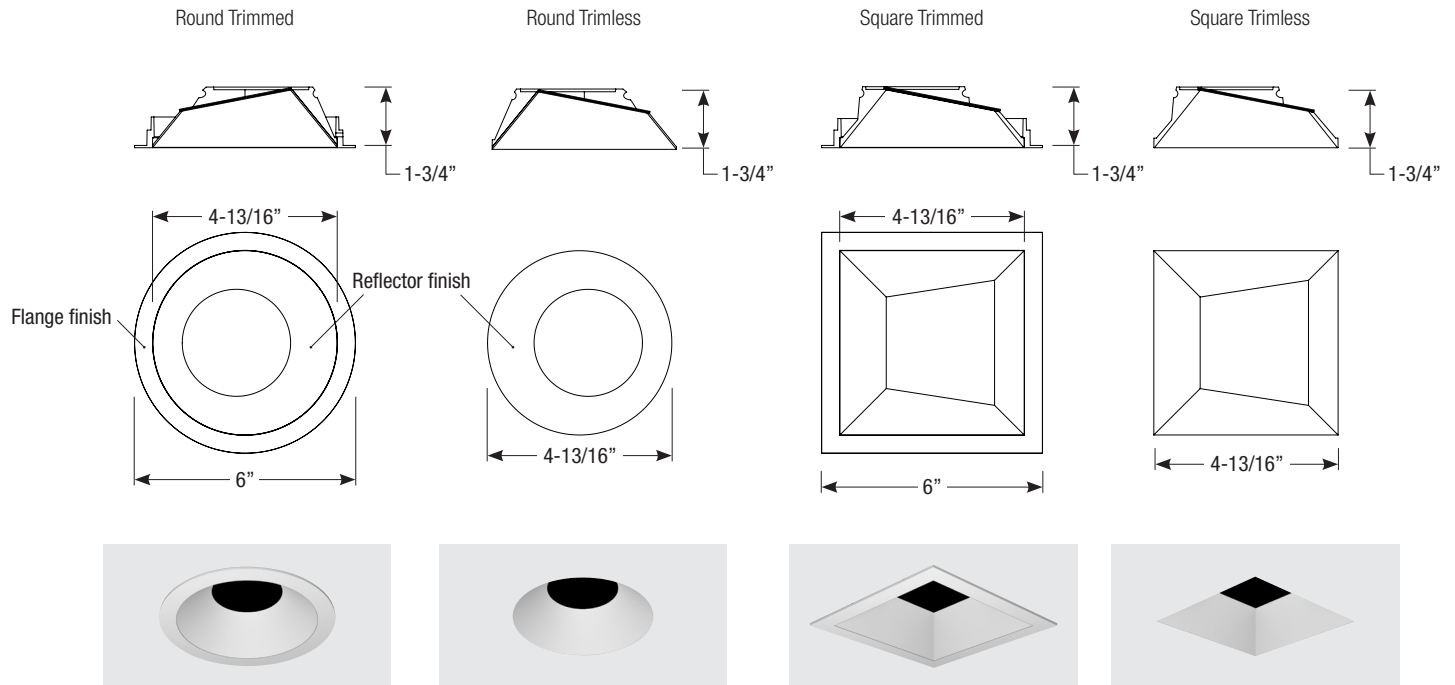
Date:

Notes:

Housing Dimensions



Trim Dimensions



Spec-00201 Revised 06/04/2020