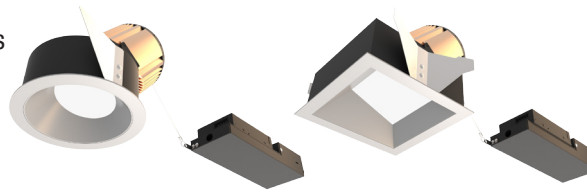


4" acrobat LED Adjustable Accent Remodel Housing

Round or Square / Trimmed or Trimless



Wattage	CCT	Delivered Lumens	Efficacy
10W	3000K	1006lm	101lpw
15W	3000K	1531lm	102lpw
20W	3000K	1822lm	91lpw
25W	3000K	2163lm	87lpw
30W	3000K	2338lm	78lpw
35W	3000K	2696lm	77lpw

Lumens will vary depending on CCT, optic & lens option

Description

- Acrobat adjustable accent delivers over 2650lm through a 4" aperture with four optical distributions. Adjustable mechanism allows for precise aiming up to 40° tilt and 360° rotation. Delivered lumens are maintained in different ceiling thicknesses.
- Drivers are accessible from below the ceiling.

Field Replaceable LED Light Engine

- 10W, 15W, 20W, 25W, 30W or 35W LED with 2 SDCM binning
- 2700K, 3000K, 3500K or 4000K at 90 CRI
- Field replaceable optics available in spot, narrow flood, flood or wide flood
- 50,000 hours at 70% lumen maintenance (L70)

Field Replaceable Dimming Driver

- Power factor > 0.9, 50/60Hz
- Multiple dimming drivers available
- Complies with IEEE62.41 surge protection

Adjustability

Locking 360° horizontal rotation and 40° tilt

Housing

Non-IC rated housing must be kept a minimum of 3" from insulation. 18 gauge galvanized steel housing and junction box with (3) 1/2" trade size knockouts. Includes (2) steel compression clips for installation below the ceiling. Max. ambient temperature: 104°F (40°C)

Ceiling Thickness

- Accommodates ceiling thickness from 1/2" to 2"
- Delivered lumens are maintained through entire range

Trim Style

- Round spun aluminum cut angle trim with frosted lens in anodized finishes available, consult factory for custom finishes
- Square die-cast aluminum cut angle trim with frosted lens in powder coat finishes available, consult factory for custom finishes
- Trimless mud plate option available

Emergency

Remote inverter operates for 90 minutes with remote test switch available, requires above ceiling access.

Listing/Warranty

- Patent pending
- Five (5) year limited warranty
- UL listed to US and Canadian standards for damp locations
- UL listed to US and Canadian standards for wet locations



Housing Order Matrix (Example: A4-RM35S-RWH00)

Installation Type	Wattage	Driver	Aperture	Flange Finish	Rev
A4-RM (Non-IC)	10 (10W)	S ¹ (ERP, Universal Dim, Triac/ELV/0-10V 10% 120-277V)	-R (Round)	WH (White)	00
	15 (15W)	L1 (Lutron Hi-lume® 2-Wire 1% 120V)	-S (Square)	BL (Black)	
	20 (20W)	L2 (Lutron EcoSystem® 5% 120-277V)		SA (Satin Aluminum)	
	25 (25W)	L3 (Lutron Hi-lume® Fade-to-Black 1% 120-277V)		BZ (Bronze)	
	30 (30W)	EL1 (eldoLED DALI 1% 120-277V)		TL (Trimless)	
	30 (30W)	EL2 (eldoLED 0-10V 1% 120-277V)			
	35 (35W)	DMX (DMX 1% 120-277V)			
		LR1 (Remote Lutron Hi-lume® 2-Wire 1% 120V)			
		SR1 ¹ (Remote ERP, Universal Dim, Triac/ELV/0-10V 10% 120-277V)			

1. Forward and reverse phase dimming at 120V only
 2. Only offer at 20W
- All drivers are accessible from below the ceiling.

Trim Order Matrix (Example: A4-4RWH2730-00)

Trim	Aperture	Reflector Finish	CCT / CRI	Optic	Rev
A4-4	R (Round) S (Square)	WH (White)	27 (2700K / 90 CRI)	10 (Spot)	-00
		CA ² (Clear Alzak)	30 (3000K / 90 CRI)	30 (Narrow Flood)	
		BL (Black)	35 (3500K / 90 CRI)	50 (Flood)	
		SA (Satin Aluminum)	40 (4000K / 90 CRI)	80 (Wide Flood)	
		BZ (Bronze)			

2. Available in round aperture only

Accessories

ABAT-RGNPLT-RND	(Round Rough-in Plate)
ABAT-RGNPLT-RND10	(Round Rough-in Plate, 10pcs)
ABAT-RGNPLT-RND5	(Round Rough-in Plate, 5pcs)
ABAT-RGNPLT-SQ	(Square Rough-in Plate)
ABAT-RGNPLT-SQ10	(Square Rough-in Plate, 10pcs)
ABAT-RGNPLT-SQ5	(Square Rough-in Plate, 5pcs)

Optics

A4-10-OPTIC	(10° Spot)
A4-30-OPTIC	(30° Narrow Flood)
A4-50-OPTIC	(50° Flood)
A4-80-OPTIC	(80° Wide Flood)

Emergency

EM-1000	(25W LED Remote Inverter)
EM-1002	(10W LED Remote Emergency Driver)
EM-1003	(35W LED Remote Inverter)
EM-1004	(50W LED Remote Inverter)

4" acrobat LED Adjustable Accent

Remodel Housing

Round or Square / Trimmed or Trimless

Catalog #:

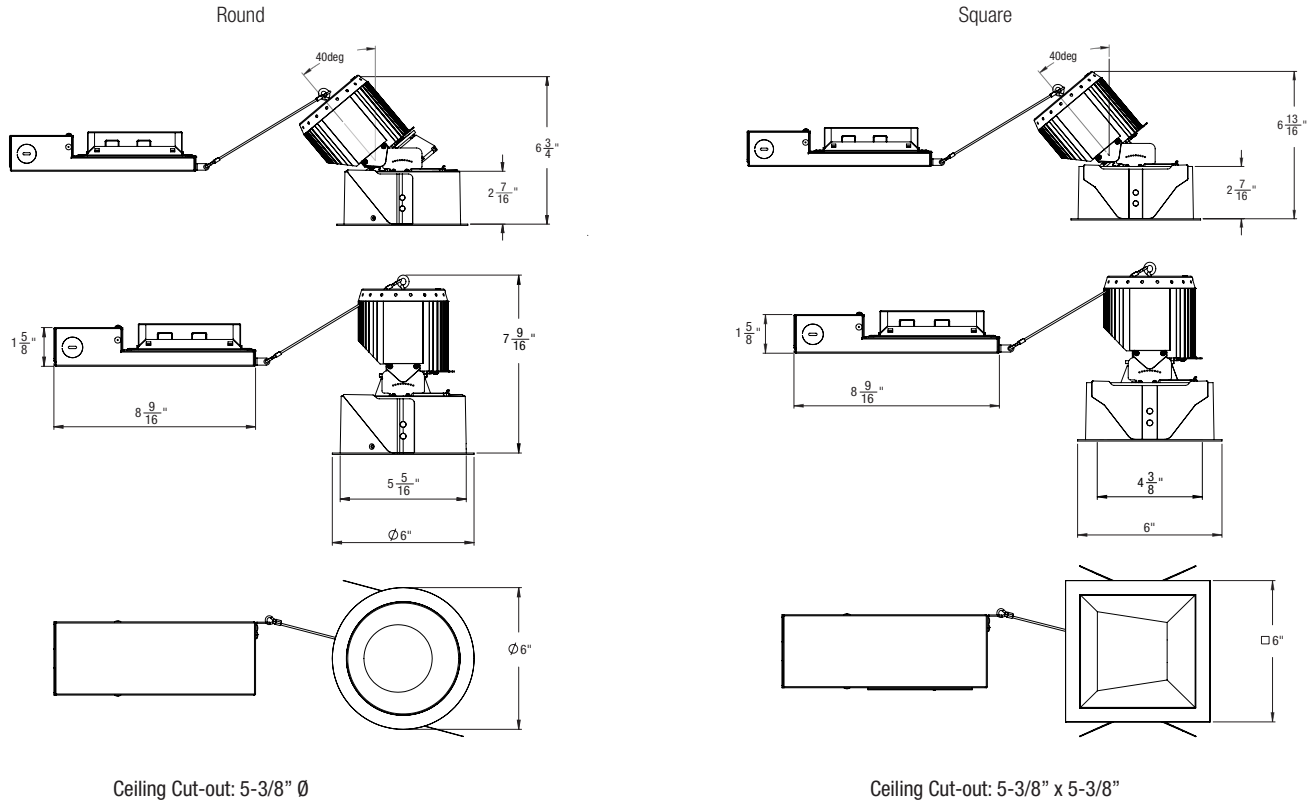
Type:

Project:

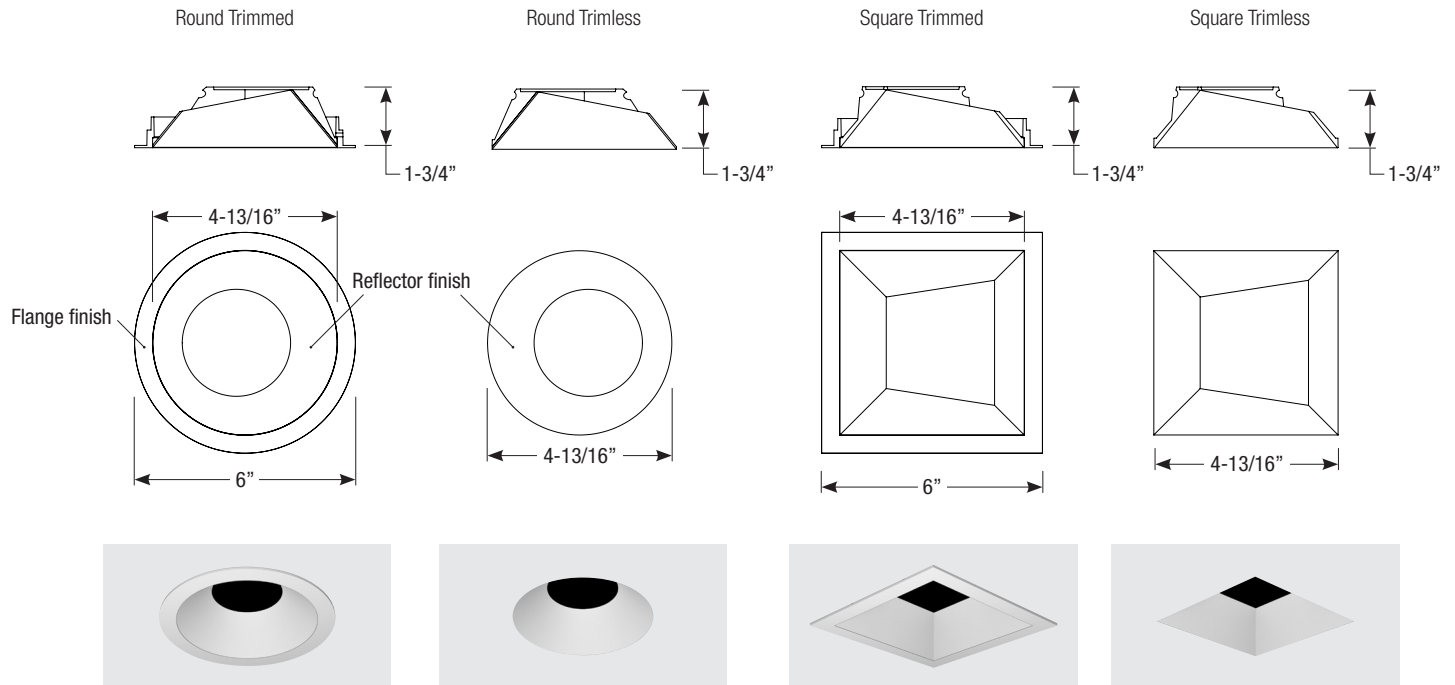
Date:

Notes:

Housing Dimensions



Trim Dimensions



Spec-00198 Revised 06/04/2020