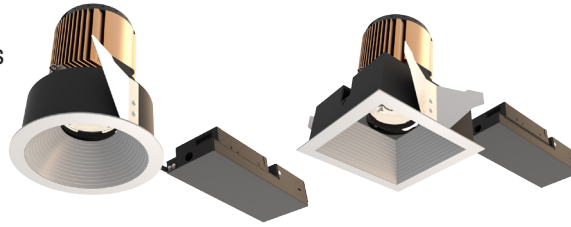


# 4" acrobat LED Baffle Downlight

## Remodel Housing

Round or Square / Trimmed or Trimless



Wattage	CCT	Delivered Lumens	Efficacy
10W	3000K	1006lm	101lpw
15W	3000K	1531lm	102lpw
20W	3000K	1822lm	91lpw
25W	3000K	2163lm	87lpw
30W	3000K	2338lm	78lpw
35W	3000K	2696lm	77lpw

Lumens will vary depending on CCT, optic & lens option

### Description

- Acrobat baffle downlight delivers over 2650lm through a 4" aperture with four optical distributions. Delivered lumens are maintained in different ceiling thicknesses.
- Drivers are accessible from below the ceiling.

### Field Replaceable LED Light Engine

- 10W, 15W, 20W, 25W, 30W or 35W LED with 2 SDCM binning
- 2700K, 3000K, 3500K or 4000K at 90 CRI
- Field replaceable optics available in spot, narrow flood, flood or wide flood
- 50,000 hours at 70% lumen maintenance (L70)

### Field Replaceable Dimming Driver

- Power factor > 0.9, 50/60Hz
- Multiple dimming drivers available
- Complies with IEEE62.41 surge protection

### Housing

Non-IC rated housing must be kept a minimum of 3" from insulation. 18 gauge galvanized steel housing and junction box with (3) 1/2" trade size knockouts. Includes (2) steel compression clips for installation below the ceiling. Max. ambient temperature: 104°F (40°C)

### Ceiling Thickness

- Accommodates ceiling thickness from 1/2" to 2"
- Delivered lumens are maintained through entire range

### Trim Style

- Die-cast aluminum baffle trim with powder coat finishes, consult factory for custom finishes
- Trimless mud plate option available

### Accessories

Accommodates (2) accessories, a media holder is required. Accessories are not compatible when used with lensed trim.

### Emergency

Remote inverter operates for 90 minutes with remote test switch available, requires above ceiling access.

### Listing/Warranty

- Patent pending
- Five (5) year limited warranty
- UL listed to US and Canadian standards for damp locations
- UL listed to US and Canadian standards for wet locations when used with lens



### Housing Order Matrix (Example: A4-RM35S-RWH00)

Installation Type	Wattage	Driver	Aperture	Flange Finish	Rev
<b>A4-RM</b> (Non-IC)	<b>10</b> (10W)	<b>S'</b> (ERP, Universal Dim, Triac/ELV/0-10V 10% 120-277V)	<b>-R</b> (Round) <b>-S</b> (Square)	<b>WH</b> (White)	<b>00</b>
	<b>15</b> (15W)	<b>L1</b> (Lutron Hi-lume® 2-Wire 1% 120V)		<b>BL</b> (Black)	
	<b>20</b> (20W)	<b>L2</b> (Lutron EcoSystem® 5% 120-277V)	<b>SA</b> (Satin Aluminum)		
	<b>25</b> (25W)	<b>L3</b> (Lutron Hi-lume® Fade-to-Black 1% 120-277V)	<b>BZ</b> (Bronze)		
	<b>30</b> (30W)	<b>EL1</b> (eldoLED DALI 1% 120-277V)	<b>TL</b> (Trimless)		
	<b>30</b> (30W)	<b>EL2</b> (eldoLED 0-10V 1% 120-277V)			
	<b>35</b> (35W)	<b>DMX</b> (DMX 1% 120-277V) <b>LR1</b> (Remote Lutron Hi-lume® 2-Wire 1% 120V) <b>SR1'</b> (Remote ERP, Universal Dim, Triac/ELV/0-10V 10% 120-277V)			

1. Forward and reverse phase dimming at 120V only
  2. Only offer at 20W
- All drivers are accessible from below the ceiling.

### Trim Order Matrix (Example: A4-2RWH2730-NL-00)

Trim	Aperture	Baffle Finish	CCT / CRI	Optic	Lens Type	Rev
<b>A4-2</b>	<b>R</b> (Round) <b>S</b> (Square)	<b>WH</b> (White)	<b>27</b> (2700K / 90 CRI)	<b>10</b> (Spot)	<b>-NL</b> (No Lens - damp location)	<b>-00</b>
		<b>BL</b> (Black)	<b>30</b> (3000K / 90 CRI)	<b>30</b> (Narrow Flood)	<b>-FR</b> (Frosted - wet location)	
	<b>SA</b> (Satin Aluminum)	<b>35</b> (3500K / 90 CRI)	<b>50</b> (Flood)	<b>-MP</b> (Solite - wet location)		
	<b>BZ</b> (Bronze)	<b>40</b> (4000K / 90 CRI)	<b>80</b> (Wide Flood)	<b>-CL</b> (Clear - wet location)		

### Accessories (Note: Media holder required)

<b>A2-MHLDR</b>	(Media Holder- required)
<b>A2-HEX</b>	(Hex Louver)
<b>A2-FR</b>	(Frosted Lens)
<b>A2-MP</b>	(Solite Lens)
<b>A2-CL</b>	(Clear Lens)
<b>A2-LS</b>	(Linear Spread Lens)
<b>ABAT-RGNPLT-RND</b>	(Round Rough-in Plate)
<b>ABAT-RGNPLT-RND10</b>	(Round Rough-in Plate, 10pcs)
<b>ABAT-RGNPLT-RND5</b>	(Round Rough-in Plate, 5pcs)
<b>ABAT-RGNPLT-SQ</b>	(Square Rough-in Plate)
<b>ABAT-RGNPLT-SQ10</b>	(Square Rough-in Plate, 10pcs)
<b>ABAT-RGNPLT-SQ5</b>	(Square Rough-in Plate, 5pcs)

### Optics

<b>A4-10-OPTIC</b>	(10° Spot)
<b>A4-30-OPTIC</b>	(30° Narrow Flood)
<b>A4-50-OPTIC</b>	(50° Flood)
<b>A4-80-OPTIC</b>	(80° Wide Flood)

### Emergency

<b>EM-1000</b>	(25W LED Remote Inverter)
<b>EM-1002</b>	(10W LED Remote Emergency Driver)
<b>EM-1003</b>	(35W LED Remote Inverter)
<b>EM-1004</b>	(50W LED Remote Inverter)

# 4" acrobat LED Baffle Downlight

## Remodel Housing

Round or Square / Trimmed or Trimless

Catalog #:

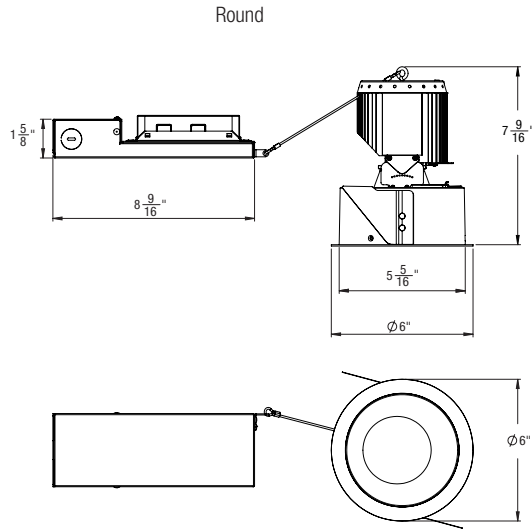
Type:

Project:

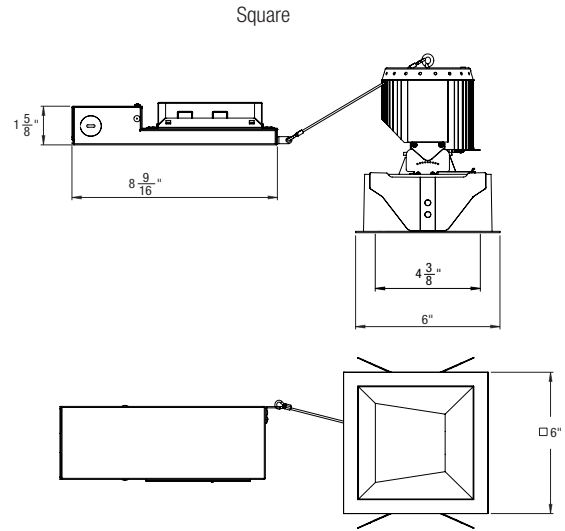
Date:

Notes:

### Housing Dimensions



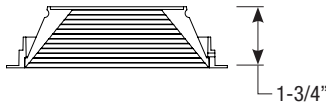
Ceiling Cut-out: 5-3/8" Ø



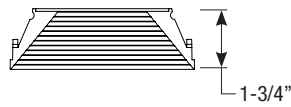
Ceiling Cut-out: 5-3/8" x 5-3/8"

### Trim Dimensions

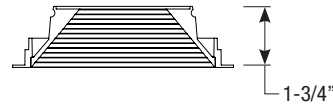
Round Trimmed



Round Trimless



Square Trimmed



Square Trimless

