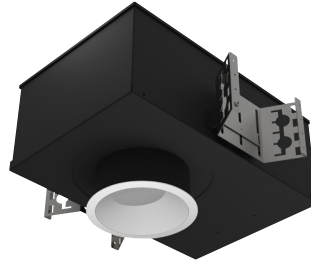


## 4" acrobat LED Wall Wash

### IC/CCEA New Construction Housing

Round or Square / Trimmed or Trimless



Wattage	CCT	Delivered Lumens	Efficacy
10W	3000K	656lm	66lpw
15W	3000K	980lm	65lpw
20W	3000K	1166lm	58lpw
25W	3000K	1384lm	55lpw

Lumens will vary depending on CCT, optic, finish & trim type

#### Description

- Acrobat Air Tight IC/Chicago Plenum wall wash delivers uniform vertical and horizontal wall distribution through a 4" aperture.
- Drivers are accessible from below the ceiling.

#### Field Replaceable LED Light Engine

- 10W, 15W, 20W or 25W LED with 2 SDCM binning
- 2700K, 3000K, 3500K or 4000K at 90 CRI
- 50,000 hours at 70% lumen maintenance (L70)

#### Field Replaceable Dimming Driver

- Power factor > 0.9, 50/60Hz
- Multiple dimming drivers available
- Complies with IEEE62.41 surge protection

#### Adjustability

Locking 360° horizontal rotation. Adjust to 0° for spacing of 1.5 feet from wall and fixture opening center and 1.5 feet from fixture opening center to fixture opening center. Adjust to 5° for spacing of 2 feet from wall and fixture opening center and 2 feet from fixture opening center to fixture opening center.

#### Housing

18 gauge galvanized steel housing and junction box with 1/2" trade size knockouts. Includes universal butterfly brackets to accommodate C-Channel, adjustable bar hangers, and EMT. C-Channel is recommended for T-bar ceilings and must be ordered separately. Adjustable wood joist bar hangers are included. Max. ambient temperature: 104°F (40°C)

#### Ceiling Thickness

- Accommodates ceiling thickness from 1/2" to 2"
- Delivered lumens are maintained through entire range

#### Trim Style

- Round spun aluminum cut angle trim in anodized finishes available, consult factory for custom finishes
- Square die-cast aluminum cut angle trim in powder coat finishes available, consult factory for custom finishes
- Trimless mud plate and wood ceiling option available

#### Emergency

Remote inverter operates for 90 minutes with remote test switch available, requires above ceiling access.

#### Listing/Warranty

- Patent pending
- Five (5) year limited warranty
- UL listed to US and Canadian standards for damp locations
- Meets ASTM E283 standards
- CCEA approved - Chicago rated



#### Housing Order Matrix (Example: A4-IC25S-R00-LCB-24)

Type	Wattage	Driver	Aperture	Trim Style	Rev	Hanger Bar
<b>A4-IC</b> (IC/CP)	<b>10</b> (10W)	<b>S<sup>1</sup></b> (ERP, Universal Dim, Triac/ELV/0-10V 10% 120-277V)	<b>-R</b> (Round) <b>-S</b> (Square)	(blank) (Flanged) <b>TL</b> (Trimless) <b>WC</b> (Wood Ceiling)	<b>00</b>	(blank) (Standard) <b>-LCB-24</b> (24" C-Channel) <b>-LCB-48</b> (48" C-Channel)
	<b>15</b> (15W)	<b>L1</b> (Lutron Hi-lume® 2-Wire 1% 120V)				
	<b>20</b> (20W)	<b>L2</b> (Lutron EcoSystem® 5% 120-277V)				
	<b>25</b> (25W)	<b>L3</b> (Lutron Hi-lume® Fade-to-Black 1% 120-277V)				
		<b>EL1</b> (eldoLED DALI 1% 120-277V)				
	<b>EL2</b> (eldoLED 0-10V 1% 120-277V)					
	<b>DMX</b> (DMX 1% 120-277V)					
	<b>LR1</b> (Remote Lutron Hi-lume® 2-Wire 1% 120V)					
	<b>SR1<sup>1</sup></b> (Remote ERP, Universal Dim, Triac/ELV/0-10V 10% 120-277V)					

1. Forward and reverse phase dimming at 120V only  
All drivers are accessible from below the ceiling

#### Trim Order Matrix (Example: A4-7RWH-WH2710-00)

Trim	Aperture	Reflector Finish	Flange Finish	CCT / CRI	Optic	Rev
<b>A4-7</b>	<b>R</b> (Round) <b>S</b> (Square)	<b>WH</b> (White)	(blank) (Trimless / Wood Ceiling)	<b>27</b> (2700K / 90 CRI) <b>30</b> (3000K / 90 CRI) <b>35</b> (3500K / 90 CRI) <b>40</b> (4000K / 90 CRI)	<b>50</b> (Wall Wash)	<b>-00</b>
		<b>CA<sup>2</sup></b> (Clear Alzak)	<b>-WH</b> (White)			
		<b>BL</b> (Black)	<b>-BL</b> (Black)			
		<b>SA</b> (Satin Aluminum)	<b>-SA</b> (Satin Aluminum)			
		<b>BZ</b> (Bronze)	<b>-BZ</b> (Bronze)			

2. Available in round aperture only

#### Emergency

- EM-1000** (25W LED Remote Inverter)
- EM-1002** (10W LED Remote Emergency Driver)
- EM-1003** (35W LED Remote Inverter)
- EM-1004** (50W LED Remote Inverter)

**4" acrobat LED Wall Wash**  
**IC/CCEA New Construction Housing**  
 Round or Square / Trimmed or Trimless

Catalog #:

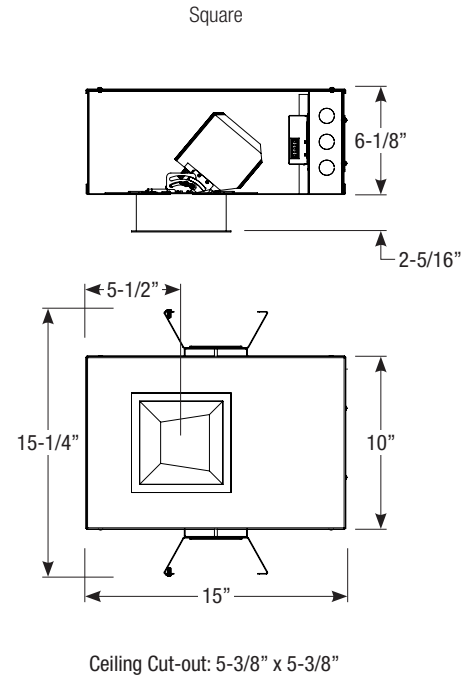
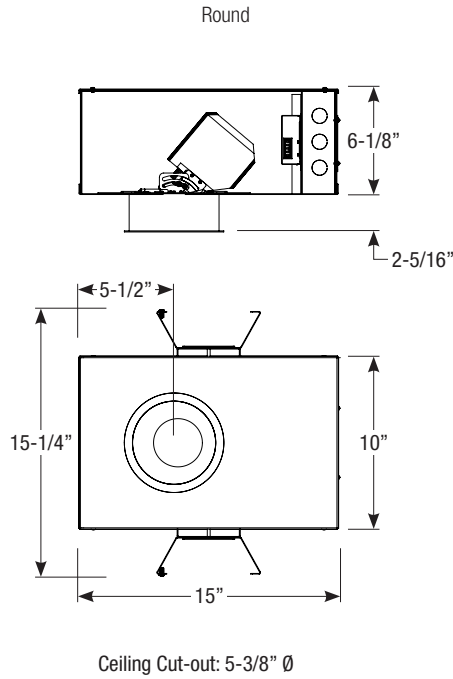
Type:

Project:

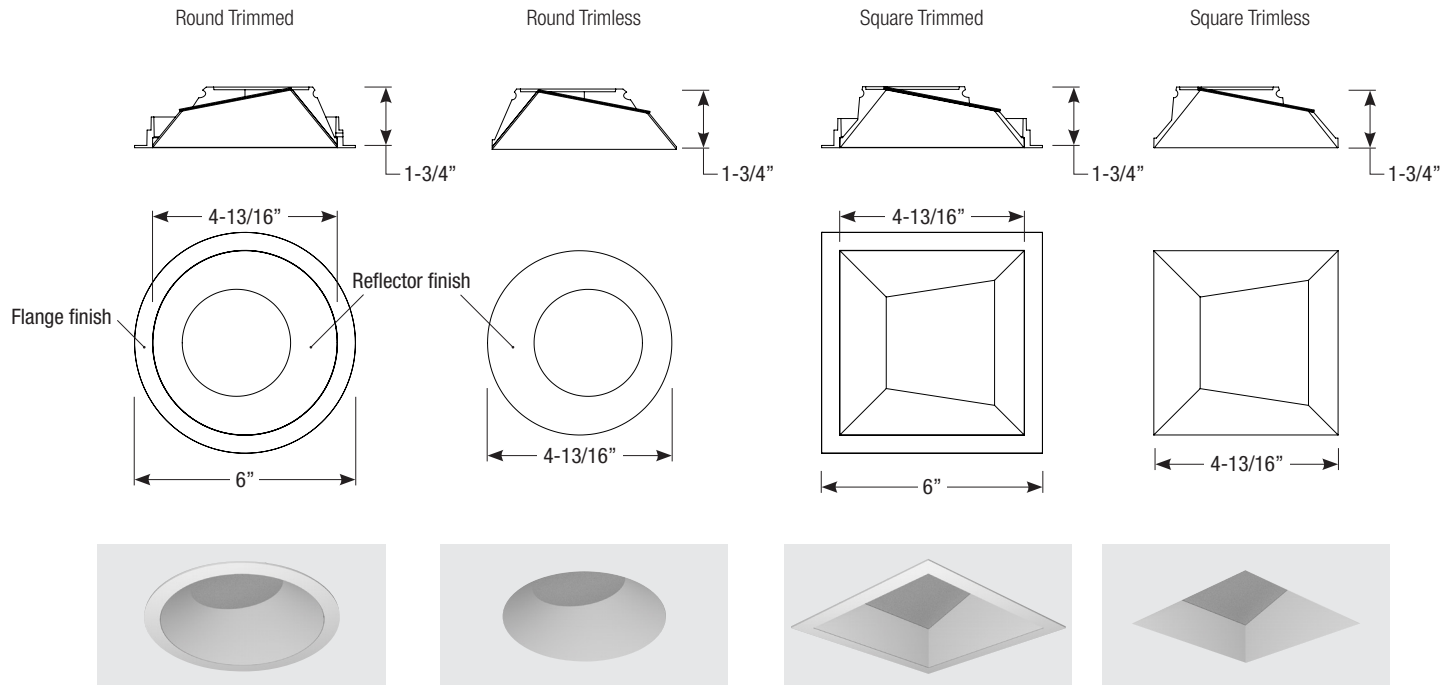
Date:

Notes:

**Housing Dimensions**



**Trim Dimensions**



Spec-00170 Revised 04/27/2020