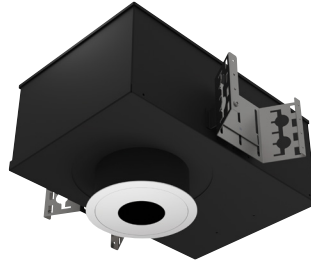


## 4" acrobat LED Pinhole Downlight

### IC/CCEA New Construction Housing

Round or Square / Trimmed or Trimless



Wattage	CCT	Delivered Lumens	Efficacy
10W	3000K	1006lm	101lpw
15W	3000K	1531lm	102pw
20W	3000K	1822lm	91pw
25W	3000K	2163lm	87lpw

Lumens will vary depending on CCT, optic, finish & trim type

#### Description

- Acrobat Air Tight IC/Chicago Plenum downlight delivers over 2100lm through a 2-1/2" pinhole with four optical distributions. Delivered lumens are maintained in different ceiling thicknesses.
- Drivers are accessible from below the ceiling.

#### Field Replaceable LED Light Engine

- 10W, 15W, 20W or 25W LED with 2 SDCM binning
- 2700K, 3000K, 3500K or 4000K at 90 CRI
- Field replaceable optics available in spot, narrow flood, flood or wide flood
- 50,000 hours at 70% lumen maintenance (L70)

#### Field Replaceable Dimming Driver

- Power factor > 0.9, 50/60Hz
- Multiple dimming drivers available
- Complies with IEEEC62.41 surge protection

#### Housing

18 gauge galvanized steel housing and junction box with 1/2" trade size knockouts. Includes universal butterfly brackets to accommodate C-Channel, adjustable bar hangers, and EMT. C-Channel is recommended for T-bar ceilings and must be ordered separately. Adjustable wood joist bar hangers are included. Max. ambient temperature: 104°F (40°C)

#### Ceiling Thickness

- Accommodates ceiling thickness from 1/2" to 2"
- Delivered lumens are maintained through entire range

#### Trim Style

- Die-cast aluminum pinhole trim with powder coat finishes, consult factory for custom finishes
- Trimless mud plate and wood ceiling option available

#### Accessories

Accommodates (2) accessories, a media holder is required. Accessories are not compatible when used with lensed trim.

#### Emergency

Remote inverter operates for 90 minutes with remote test switch available, requires above ceiling access.

#### Listing/Warranty

- Patent pending
- Five (5) year limited warranty
- UL listed to US and Canadian standards for damp locations
- UL listed to US and Canadian standards for wet locations when used with lens.
- Meets ASTM E283 standards
- CCEA approved - Chicago rated



#### Housing Order Matrix (Example: A4-IC25S-R00-LCB-24)

Type	Wattage	Driver	Aperture	Trim Style	Rev	Hanger Bar
<b>A4-IC</b> (IC/CP)	<b>10</b> (10W)	<b>S<sup>1</sup></b> (ERP, Universal Dim, Triac/ELV/0-10V 10% 120-277V)	<b>-R</b> (Round) <b>-S</b> (Square)	<b>(blank)</b> (Flanged) <b>TL</b> (Trimless) <b>WC</b> (Wood Ceiling)	<b>00</b>	<b>(blank)</b> (Standard) <b>-LCB-24</b> (24" C-Channel) <b>-LCB-48</b> (48" C-Channel)
	<b>15</b> (15W)	<b>L1</b> (Lutron Hi-Lume® 2-Wire 1% 120V)				
	<b>20</b> (20W)	<b>L2</b> (Lutron EcoSystem® 5% 120-277V)				
	<b>25</b> (25W)	<b>L3</b> (Lutron Hi-Lume® Fade-to-Black 1% 120-277V)				
		<b>EL1</b> (eldoLED DALI 1% 120-277V) <b>EL2</b> (eldoLED 0-10V 1% 120-277V) <b>DMX</b> (DMX 1% 120-277V) <b>LR1</b> (Remote Lutron Hi-lume® 2-Wire 1% 120V) <b>SR1<sup>1</sup></b> (Remote ERP, Universal Dim, Triac/ELV/0-10V 10% 120-277V)				

1. Forward and reverse phase dimming at 120V only  
All drivers are accessible from below the ceiling

#### Trim Order Matrix (Example: A4-3RWH-WH2730-NL-00)

Trim	Aperture	Pinhole Finish	Flange Finish	CCT / CRI	Optic	Lens Type	Rev
<b>A4-3</b>	<b>R</b> (Round) <b>S</b> (Square)	<b>WH</b> (White)	<b>(blank)</b> (Trimless / Wood Ceiling) <b>-WH</b> (White) <b>-BL</b> (Black) <b>-SA</b> (Satin Aluminum) <b>-BZ</b> (Bronze)	<b>27</b> (2700K / 90 CRI)	<b>10</b> (Spot) <b>30</b> (Narrow Flood) <b>50</b> (Flood) <b>80</b> (Wide Flood)	<b>-NL</b> (No Lens - damp location) <b>-FR</b> (Frosted - wet location) <b>-MP</b> (Solite - wet location) <b>-CL</b> (Clear - wet location)	<b>-00</b>
		<b>BL</b> (Black)		<b>30</b> (3000K / 90 CRI)			
		<b>SA</b> (Satin Aluminum)		<b>35</b> (3500K / 90 CRI)			
		<b>BZ</b> (Bronze)		<b>40</b> (4000K / 90 CRI)			

#### Accessories (Note: Media holder required)

<b>A4-MHLDR</b> (Media Holder- required)
<b>A4-HEX</b> (Hex Louver)
<b>A4-FR</b> (Frosted Lens)
<b>A4-MP</b> (Solite Lens)
<b>A4-CL</b> (Clear Lens)
<b>A4-LS</b> (Linear Spread Lens)

#### Optics

<b>A4-10-OPTIC</b> (10° Spot)
<b>A4-30-OPTIC</b> (30° Narrow Flood)
<b>A4-50-OPTIC</b> (50° Flood)
<b>A4-80-OPTIC</b> (80° Wide Flood)

#### Emergency

<b>EM-1000</b> (25W LED Remote Inverter)
<b>EM-1002</b> (10W LED Remote Emergency Driver)
<b>EM-1003</b> (35W LED Remote Inverter)
<b>EM-1004</b> (50W LED Remote Inverter)

# 4" acrobat LED Pinhole Downlight

## IC/CCEA New Construction Housing

Round or Square / Trimmed or Trimless

Catalog #:

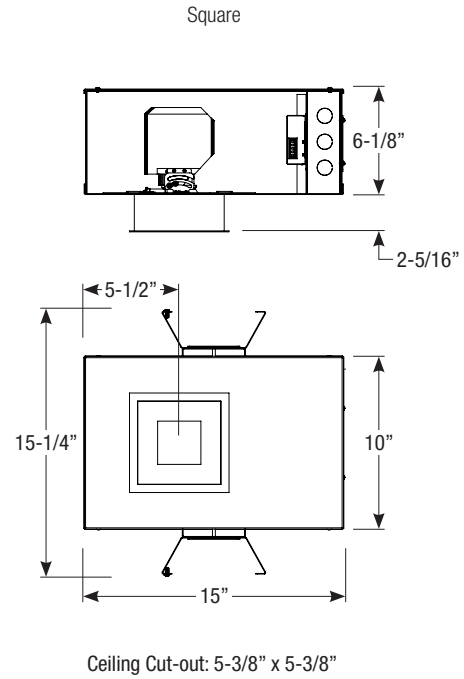
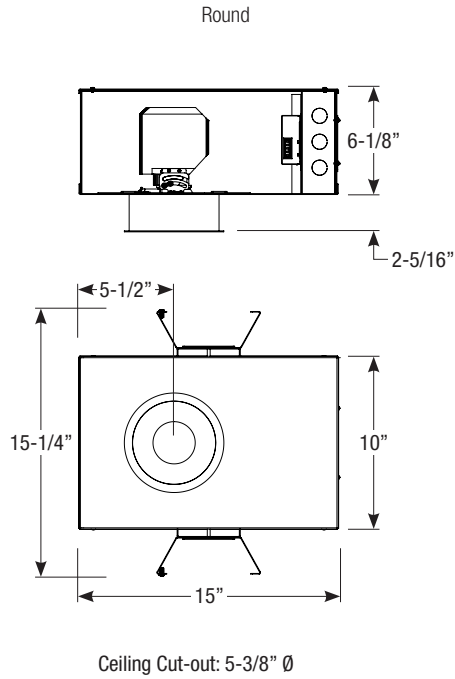
Type:

Project:

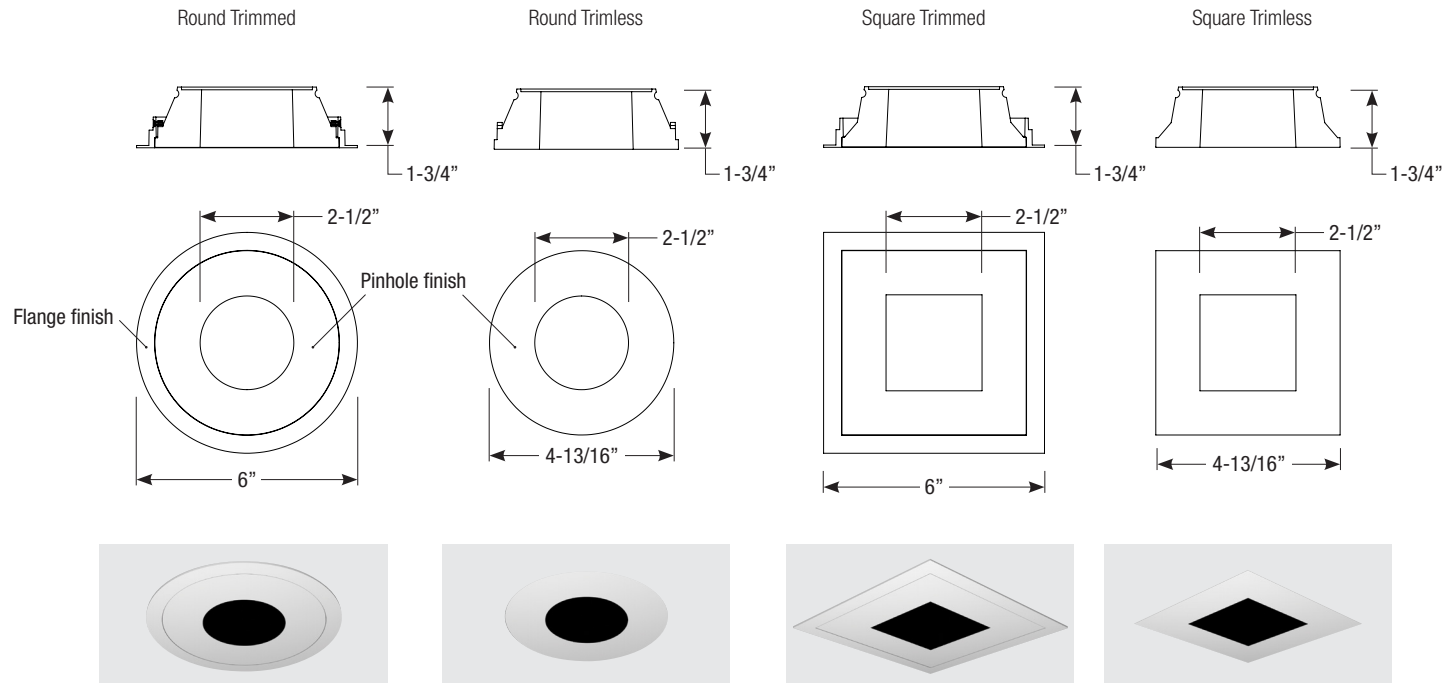
Date:

Notes:

### Housing Dimensions



### Trim Dimensions



Spec-00166 Revised 04/27/2020