

READ AND FOLLOW ALL SAFETY INSTRUCTION! SAVE THESE INSTRUCTIONS AND DELIVER TO OWNER AFTER INSTALLATION.

⚠ WARNING: RISK OF ELECTRIC SHOCK

- Before installation, servicing, or performing routine maintenance disconnect power by turning off the circuit breakers both to the outlet box and to its associated wall switch
- Installation and service of luminaires should be performed by a qualified licensed electrician in accordance with all local and National Electrical Codes
- DO NOT install damaged product
- Verify that supply voltage is correct by comparing it with the luminaire label information
- All wiring connections should be capped with UL approved recognized wire connectors

⚠ WARNING: RISK OF INJURY

- Allow luminaire to cool before servicing and performing maintenance
- Follow all manufacturer's warnings and restrictions for: driver type, mounting locations, replacement and recycling
- Wear safety glasses and gloves when installing, maintaining or servicing
- Avoid direct eye exposure to the light source while it is on

⚠ WARNING: RISK OF FIRE

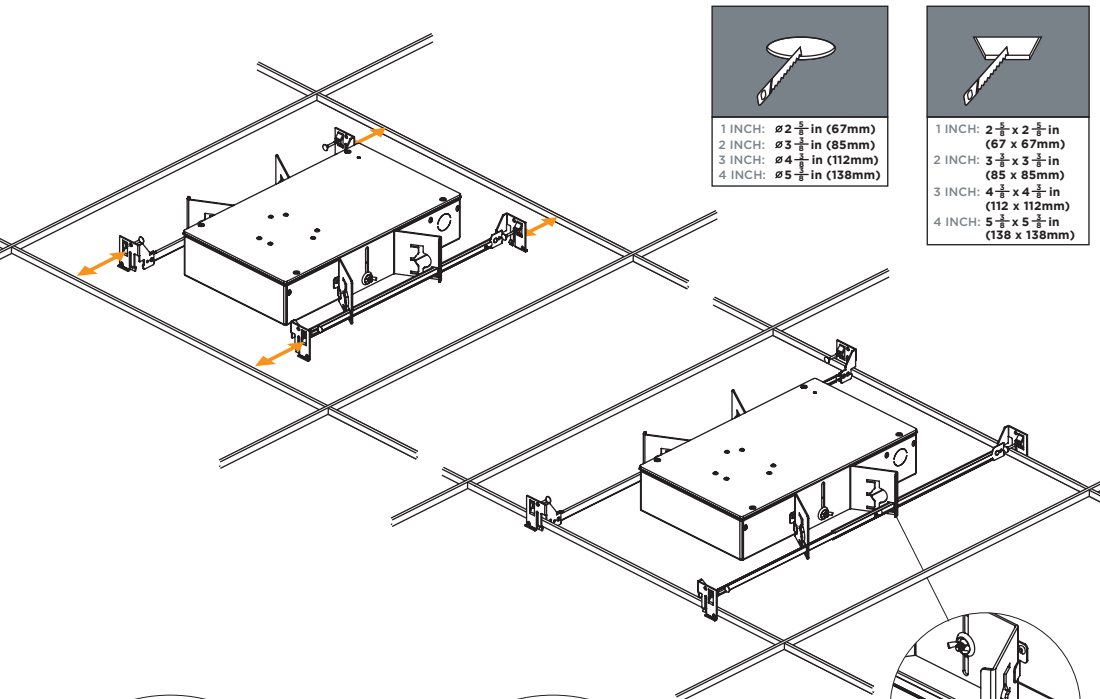
- Keep combustible material away from luminaire
- Do not install insulation within 3" (76mm) of any part of the luminaire or in a way that may entrap heat

⚠ WARNING: RISK OF PRODUCT DAMAGE

- Never connect components under load
- Do not touch the yellow surface of the LED as it may damage the light engine

STEP 1 - FRAME INSTALL / HORIZONTAL ADJUSTMENT

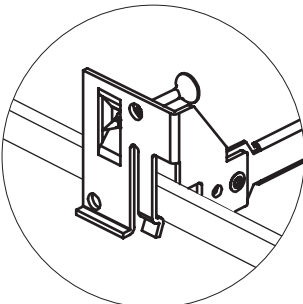
SPREAD HANGER BARS TO APPROPRIATE DISTANCE. FASTEN WITH HARDWARE (BY OTHERS) TO PREVENT VERTICAL MOVEMENT OF FIXTURE.



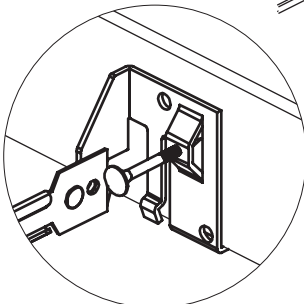
- 1 INCH: $\varnothing 2 \frac{1}{8}$ in (67mm)
- 2 INCH: $\varnothing 3 \frac{1}{8}$ in (85mm)
- 3 INCH: $\varnothing 4 \frac{1}{8}$ in (112mm)
- 4 INCH: $\varnothing 5 \frac{1}{8}$ in (138mm)



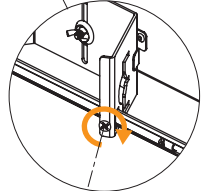
- 1 INCH: $2 \frac{5}{8} \times 2 \frac{5}{8}$ in (67 x 67mm)
- 2 INCH: $3 \frac{1}{8} \times 3 \frac{1}{8}$ in (85 x 85mm)
- 3 INCH: $4 \frac{1}{8} \times 4 \frac{1}{8}$ in (112 x 112mm)
- 4 INCH: $5 \frac{1}{8} \times 5 \frac{1}{8}$ in (138 x 138mm)



T-BAR



ROUND (DOWNLIGHT) SHOWN. FOLLOW SAME STEPS FOR SQUARE



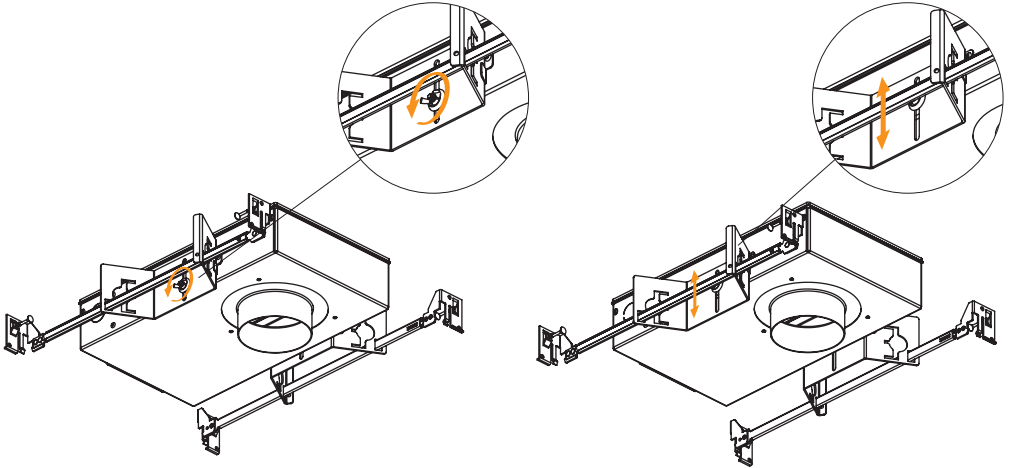
USE THE SCREWDRIVER TO TIGHTEN THE SCREW.

WOOD

STEP 2A - VERTICAL ADJUSTMENT

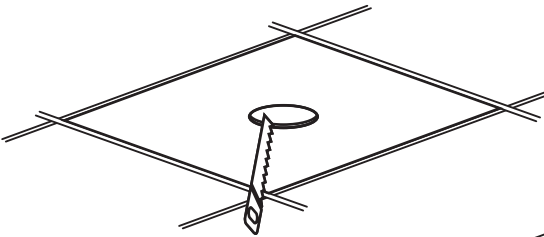
DOUBLE SIDE ADJUSTMENT / OUTSIDE

Loose the wing nuts to adjust the height of the housing, then tighten.

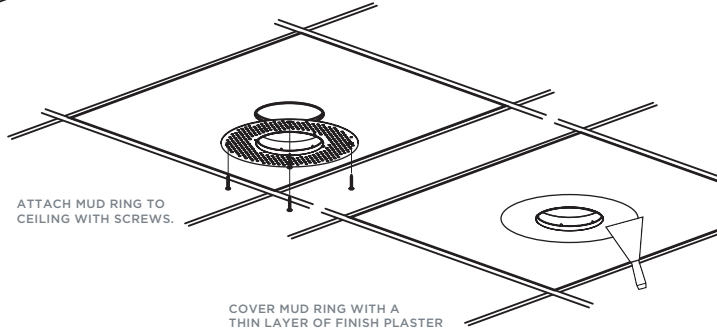


STEP 3A - CEILING CUTOUT

FOR TRIMLESS SEE 3B.



STEP 3B - MUD RING (TRIMLESS ONLY)



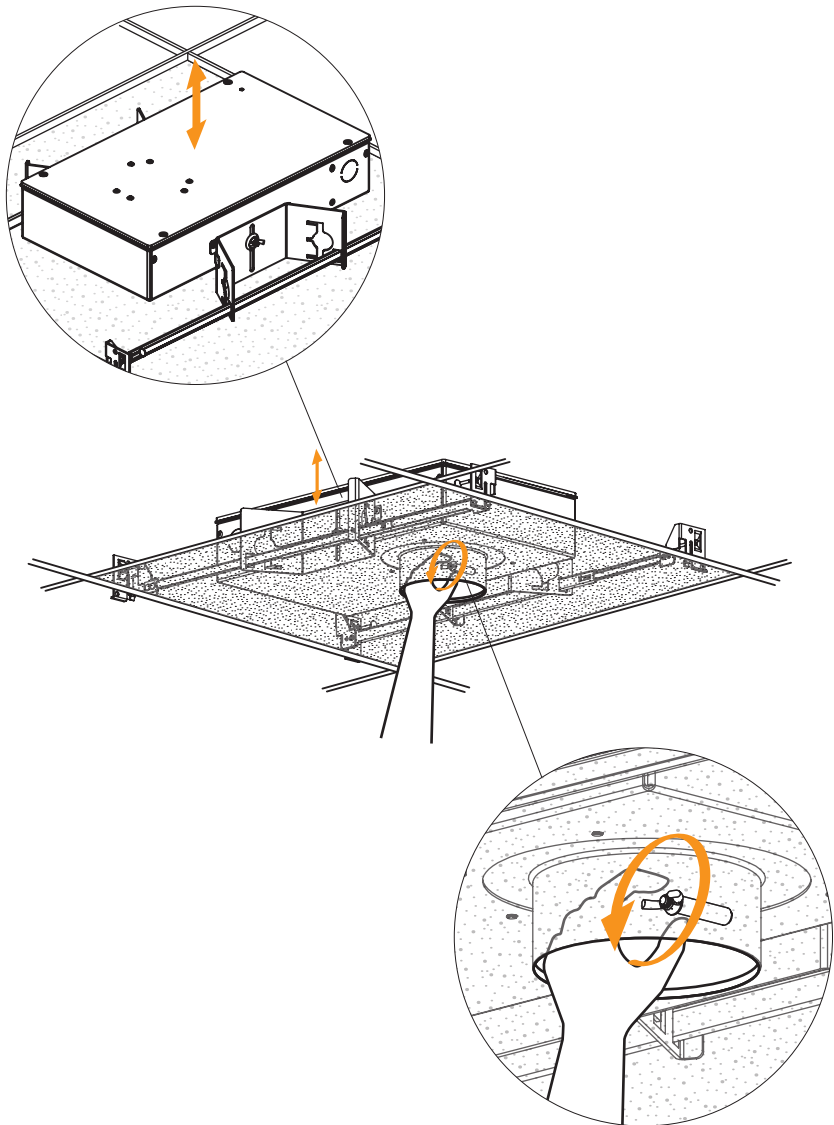
ATTACH MUD RING TO CEILING WITH SCREWS.

COVER MUD RING WITH A THIN LAYER OF FINISH PLASTER

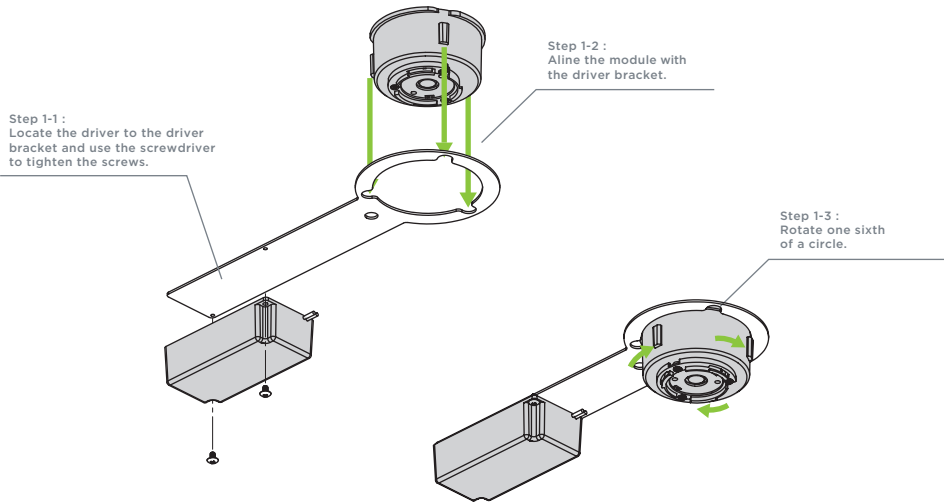
STEP 2B - VERTICAL ADJUSTMENT

DOUBLE SIDE ADJUSTMENT / INSIDE

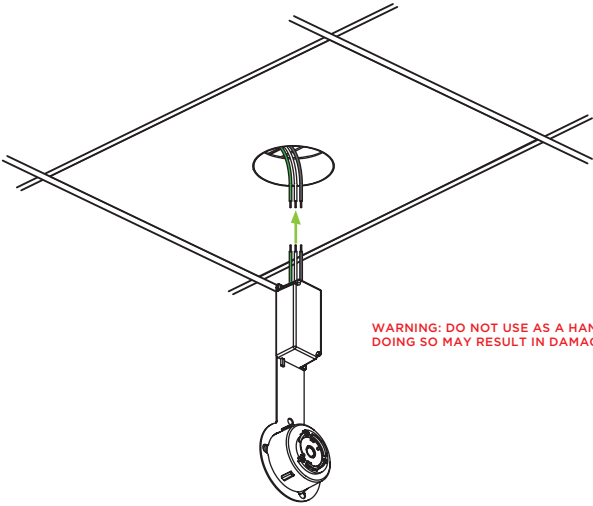
Wings nuts can also be accessed on the inside of the housing for making fixture height adjustment.



STEP 1 - COMBINE THE DRIVER AND MODULE WITH DRIVER BRACKET



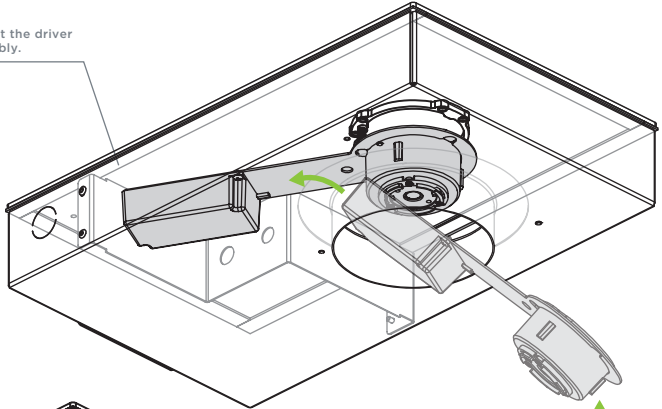
STEP 2 - MAKE ELECTRICAL CONNECTION AND INSERT THE DRIVER BRACKET



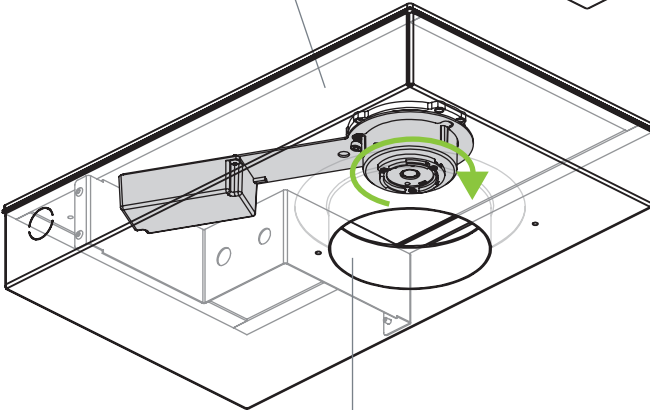
WARNING: DO NOT USE AS A HANGING DEVICE. DOING SO MAY RESULT IN DAMAGE OR INJURY

STEP 3 - INSERT THE DRIVER BRACKET ASSEMBLY

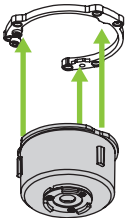
Step 3-1:
Slide and insert the driver
bracket assembly.



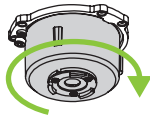
Step 3-2 :
Twist and lock the
module clockwise.



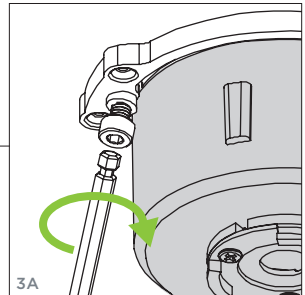
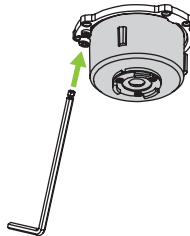
Step 3-2A :
Align the module with
the twist lock bracket.



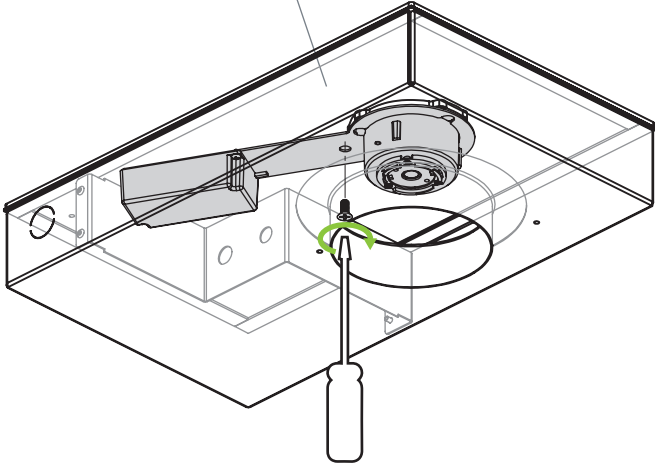
Step 3-2B :
Twist and lock the
module clockwise.



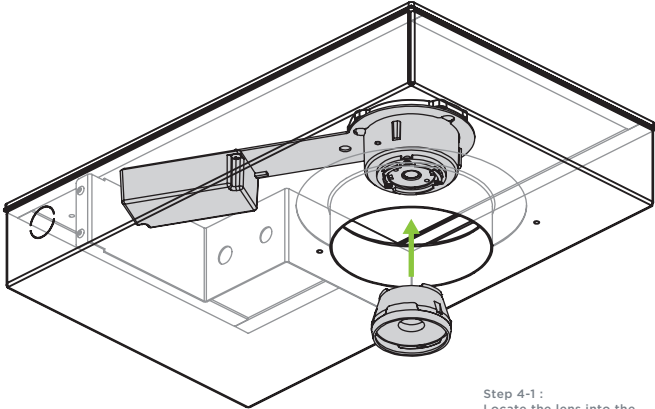
Step 3-2C :
Tighten the screws
to secure the module. (3A)



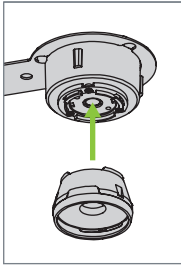
Step 3-3 :
Use the screwdriver to tighten
the driver bracket assembly.



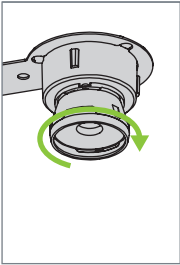
STEP 4 - INSTALL THE LENS



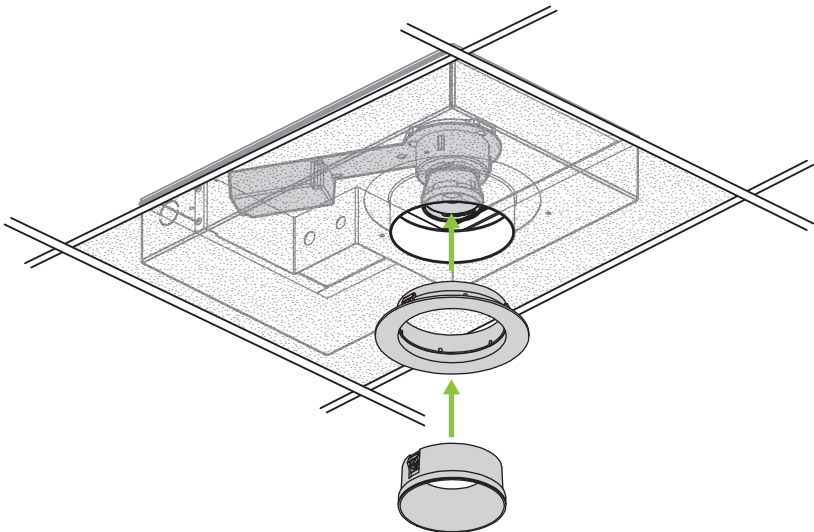
Step 4-1 :
Locate the lens into the
optic bracket.



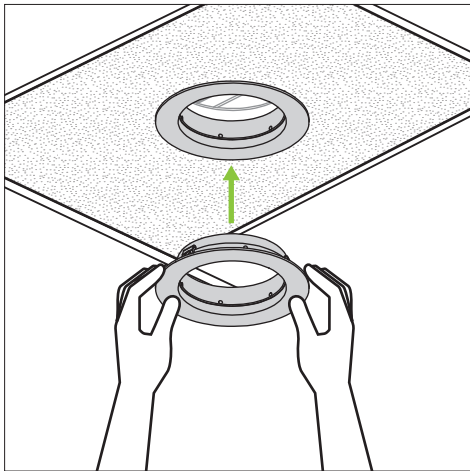
Step 4-2 :
Twist and lock the lens.



STEP 5 - INSTALL THE FLANGE AND REFLECTOR



Step 5-1:
Push up the flange into the collar.



Step 5-2:
Push up the reflector into the flange.

