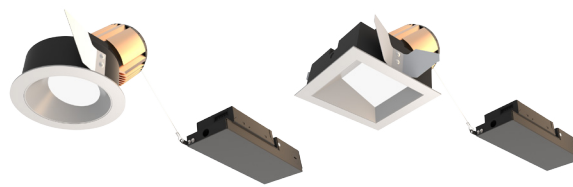


## 3" acrobat LED Adjustable Accent Remodel Housing

Round or Square / Trimmed or Trimless



Watt-age	CCT	Delivered Lumens	Efficacy
10W	3000K	858lm	86lpw
15W	3000K	1335lm	89lpw
20W	3000K	1604lm	80lpw
25W	3000K	1907lm	76lpw

Lumens will vary depending on CCT, optic & lens option

### Description

- Acrobat adjustable accent delivers over 1900lm through a 3" aperture with four optical distributions. Adjustable mechanism allows for precise aiming up to 40° tilt and 360° rotation. Delivered lumens are maintained in different ceiling thicknesses.
- Drivers are accessible from below the ceiling.

### Field Replaceable LED Light Engine

- 10W, 15W, 20W or 25W LED with 2 SDCM binning
- 2700K, 3000K, 3500K or 4000K at 90 CRI
- Field replaceable optics available in spot, narrow flood, flood or wide flood
- 50,000 hours at 70% lumen maintenance (L70)

### Field Replaceable Dimming Driver

- Power factor > 0.9, 50/60Hz
- Multiple dimming drivers available
- Complies with IEEE62.41 surge protection

### Adjustability

Locking 360° horizontal rotation and 40° tilt  
(Note: 2" ceiling thickness limits mechanism to 30° tilt)

### Housing

Non-IC rated housing must be kept a minimum of 3" from insulation. 18 gauge galvanized steel housing and junction box with (3) 1/2" trade size knockouts. Includes (2) steel compression clips for installation below the ceiling. Max. ambient temperature: 104°F (40°C)

### Ceiling Thickness

- Accommodates ceiling thickness from 1/2" to 2"
- Delivered lumens are maintained through entire range

### Trim Style

- Round spun aluminum cut angle trim with frosted lens in anodized finishes available, consult factory for custom finishes
- Square die-cast aluminum cut angle trim with frosted lens in powder coat finishes available, consult factory for custom finishes
- Trimless mud plate option available

### Emergency

Remote inverter operates for 90 minutes with remote test switch available, requires above ceiling access.

### Listing/Warranty

- Patent pending
- Five (5) year limited warranty
- UL listed to US and Canadian standards for wet locations



### Housing Order Matrix (Example: A3-RM25S-RWH00)

Installation Type	Wattage	Driver	Aperture	Flange Finish	Rev
A3-RM (Non-IC)	10 (10W)	S <sup>1</sup> (ERP, Universal Dim, Triac/ELV/0-10V 10% 120-277V)	-R (Round)	WH (White)	00
	15 (15W)	L1 (Lutron Hi-lume® 2-Wire 1% 120V)	-S (Square)	BL (Black)	
	20 (20W)	L2 (Lutron EcoSystem® 5% 120-277V)		SA (Satin Aluminum)	
	25 (25W)	L3 (Lutron Hi-lume® Fade-to-Black 1% 120-277V)		BZ (Bronze)	
		EL1 (eldoLED DALI 1% 120-277V)		TL (Trimless)	
		EL2 (eldoLED 0-10V 1% 120-277V)			
		DMX (DMX 1% 120-277V)			
		LR1 (Remote Lutron Hi-lume® 2-Wire 1% 120V)			
		SR1 <sup>1</sup> (Remote ERP, Universal Dim, Triac/ELV/0-10V 10% 120-277V)			

1. Forward and reverse phase dimming at 120V only
  2. Only offer at 20W
- All drivers are accessible from below the ceiling.

### Trim Order Matrix (Example: A3-4RWH2730-00)

Trim	Aperture	Reflector Finish	CCT / CRI	Optic	Rev
A3-4	R (Round) S (Square)	WH (White)	27 (2700K / 90 CRI)	10 (Spot)	-00
		CA <sup>2</sup> (Clear Alzak)	30 (3000K / 90 CRI)	30 (Narrow Flood)	
		BL (Black)	35 (3500K / 90 CRI)	50 (Flood)	
		SA (Satin Aluminum)	40 (4000K / 90 CRI)	80 (Wide Flood)	
		BZ (Bronze)			

2. Available in round aperture only

### Accessories

ABAT-RGNPLT-RND	(Round Rough-in Plate)
ABAT-RGNPLT-RND10	(Round Rough-in Plate, 10pcs)
ABAT-RGNPLT-RND5	(Round Rough-in Plate, 5pcs)
ABAT-RGNPLT-SQ	(Square Rough-in Plate)
ABAT-RGNPLT-SQ10	(Square Rough-in Plate, 10pcs)
ABAT-RGNPLT-SQ5	(Square Rough-in Plate, 5pcs)

### Optics

A3-10-OPTIC	(10° Spot)
A3-30-OPTIC	(30° Narrow Flood)
A3-50-OPTIC	(50° Flood)
A3-80-OPTIC	(80° Wide Flood)

### Emergency

EM-1000	(25W LED Remote Inverter)
EM-1002	(10W LED Remote Emergency Driver)
EM-1003	(35W LED Remote Inverter)
EM-1004	(50W LED Remote Inverter)

# 3" acrobat LED Adjustable Accent

## Remodel Housing

Round or Square / Trimmed or Trimless

Catalog #:

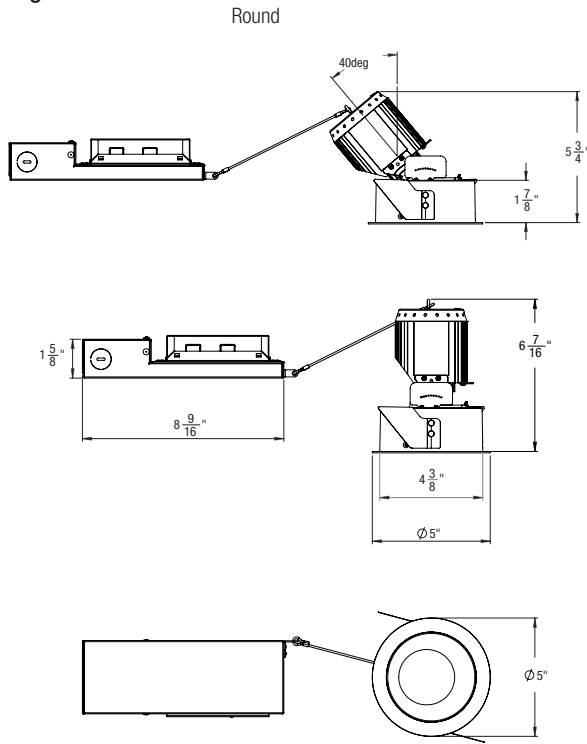
Type:

Project:

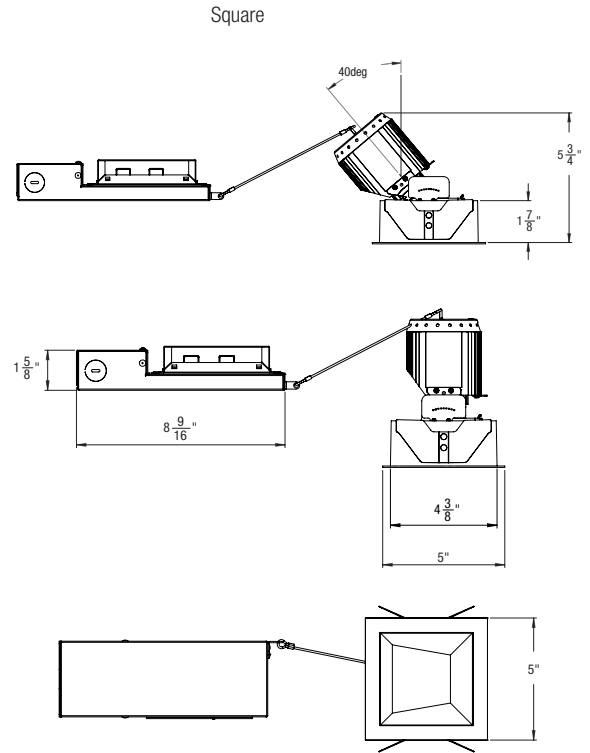
Date:

Notes:

### Housing Dimensions

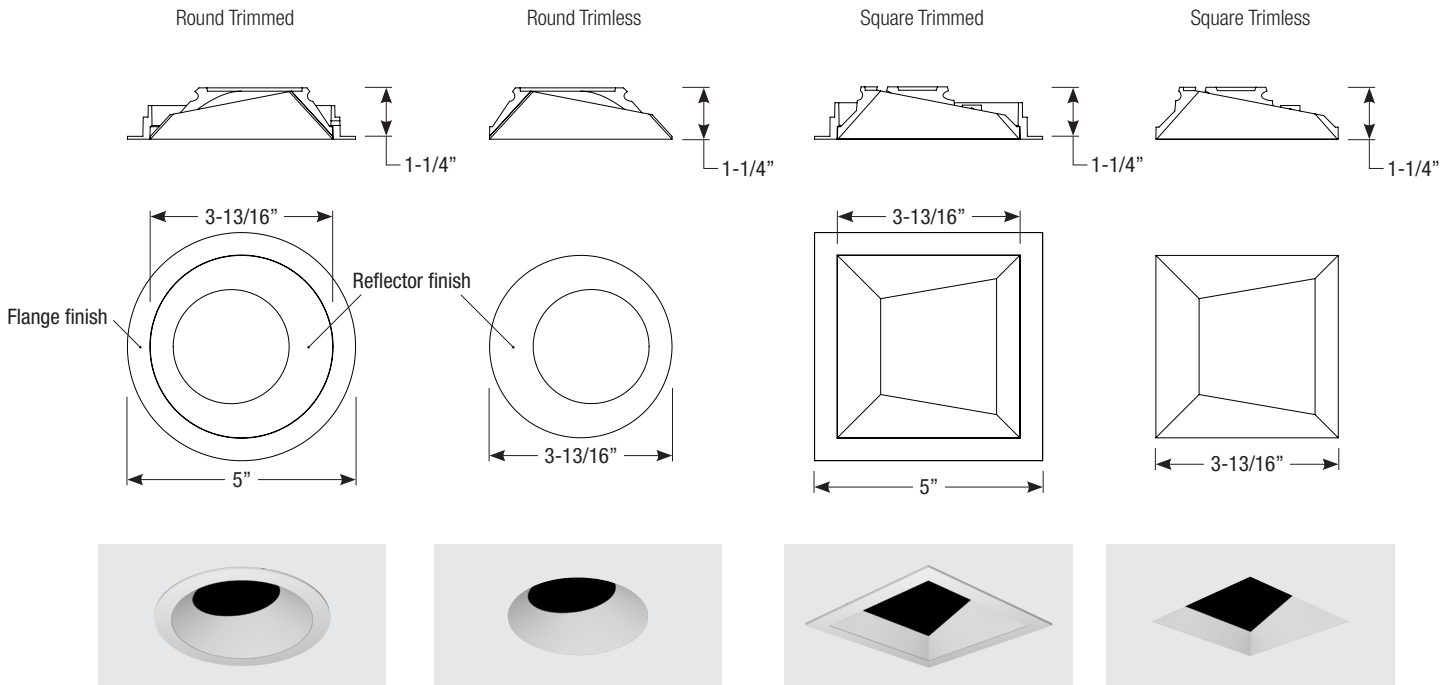


Ceiling Cut-out: 4-3/8" Ø



Ceiling Cut-out: 4-3/8" x 4-3/8"

### Trim Dimensions



Spec-00147 Revised 06/04/2020