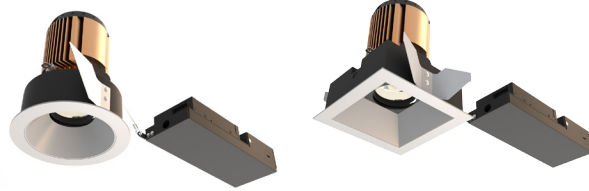


3" acrobat LED Downlight Remodel Housing

Round or Square / Trimmed or Trimless



Wattage	CCT	Delivered Lumens	Efficacy
10W	3000K	858lm	86lpw
15W	3000K	1335lm	89lpw
20W	3000K	1604lm	80lpw
25W	3000K	1907lm	76lpw

Lumens will vary depending on CCT, optic & lens option

Description

- Acrobat downlight delivers over 1900lm through a 3" aperture with four optical distributions. Delivered lumens are maintained in different ceiling thicknesses.
- Drivers are accessible from below the ceiling.

Field Replaceable LED Light Engine

- 10W, 15W, 20W or 25W LED with 2 SDCM binning
- 2700K, 3000K, 3500K or 4000K at 90 CRI
- Field replaceable optics available in spot, narrow flood, flood or wide flood
- 50,000 hours at 70% lumen maintenance (L70)

Field Replaceable Dimming Driver

- Power factor > 0.9, 50/60Hz
- Multiple dimming drivers available
- Complies with IEEEC62.41 surge protection

Housing

Non-IC rated housing must be kept a minimum of 3" from insulation. 18 gauge galvanized steel housing and junction box with (3) 1/2" trade size knockouts. Includes (2) steel compression clips for installation below the ceiling. Max. ambient temperature: 104°F (40°C)

Ceiling Thickness

- Accommodates ceiling thickness from 1/2" to 2"
- Delivered lumens are maintained through entire range

Trim Style

- Round spun aluminum trim with anodized finishes, consult factory for custom finishes
- Square die-cast aluminum trim with powder coat finishes, consult factory for custom finishes
- Trimless mud plate option available

Accessories

Accommodates (2) accessories, a media holder is required. Accessories are not compatible when used with lensed trim.

Emergency

Remote inverter operates for 90 minutes with remote test switch available, requires above ceiling access.

Listing/Warranty

- Patent pending
- Five (5) year limited warranty
- UL listed to US and Canadian standards for damp locations
- UL listed to US and Canadian standards for wet locations when used with lens



Housing Order Matrix (Example: A3-RM25S-RWH00)

Installation Type	Wattage	Driver	Aperture	Flange Finish	Rev
A3-RM (Non-IC)	10 (10W)	S' (ERP, Universal Dim, Triac/ELV/0-10V 10% 120-277V)	-R (Round) -S (Square)	WH (White) BL (Black) SA (Satin Aluminum) BZ (Bronze) TL (Trimless)	00
	15 (15W)	L1 (Lutron Hi-lume® 2-Wire 1% 120V)			
	20 (20W)	L2 (Lutron EcoSystem® 5% 120-277V)			
	25 (25W)	L3 (Lutron Hi-lume® Fade-to-Black 1% 120-277V)			
		EL1 (eldoLED DALI 1% 120-277V)			
		EL2 (eldoLED 0-10V 1% 120-277V)			
	DMX (DMX 1% 120-277V)				
	LR1 (Remote Lutron Hi-lume® 2-Wire 1% 120V)				
	SR1' (Remote ERP, Universal Dim, Triac/ELV/0-10V 10% 120-277V)				

1. Forward and reverse phase dimming at 120V only

2. Only offer at 20W

All drivers are accessible from below the ceiling.

Trim Order Matrix (Example: A3-1RWH2730-NL-00)

Trim	Aperture	Reflector Finish	CCT / CRI	Optic	Lens Type	Rev
A3-1	R (Round) S (Square)	WH (White)	27 (2700K / 90 CRI)	10 (Spot)	-NL (No Lens - damp location) -FR (Frosted - wet location) -MP (Solite - wet location) -CL (Clear - wet location)	-00
		CA² (Clear Alzak)	30 (3000K / 90 CRI)	30 (Narrow Flood)		
		BL (Black)	35 (3500K / 90 CRI)	50 (Flood)		
		SA (Satin Aluminum)	40 (4000K / 90 CRI)	80 (Wide Flood)		
		BZ (Bronze)				

2. Available in round aperture only

Accessories (Note: Media holder required)

A2-MHLDR	(Media Holder- required)
A2-HEX	(Hex Louver)
A2-FR	(Frosted Lens)
A2-MP	(Solite Lens)
A2-CL	(Clear Lens)
A2-LS	(Linear Spread Lens)
ABAT-RGNPLT-RND	(Round Rough-in Plate)
ABAT-RGNPLT-RND10	(Round Rough-in Plate, 10pcs)
ABAT-RGNPLT-RND5	(Round Rough-in Plate, 5pcs)
ABAT-RGNPLT-SQ	(Square Rough-in Plate)
ABAT-RGNPLT-SQ10	(Square Rough-in Plate, 10pcs)
ABAT-RGNPLT-SQ5	(Square Rough-in Plate, 5pcs)

Optics

A3-10-OPTIC	(10° Spot)
A3-30-OPTIC	(30° Narrow Flood)
A3-50-OPTIC	(50° Flood)
A3-80-OPTIC	(80° Wide Flood)

Emergency

EM-1000	(25W LED Remote Inverter)
EM-1002	(10W LED Remote Emergency Driver)
EM-1003	(35W LED Remote Inverter)
EM-1004	(50W LED Remote Inverter)

3" acrobat LED Downlight

Remodel Housing

Round or Square / Trimmed or Trimless

Catalog #:

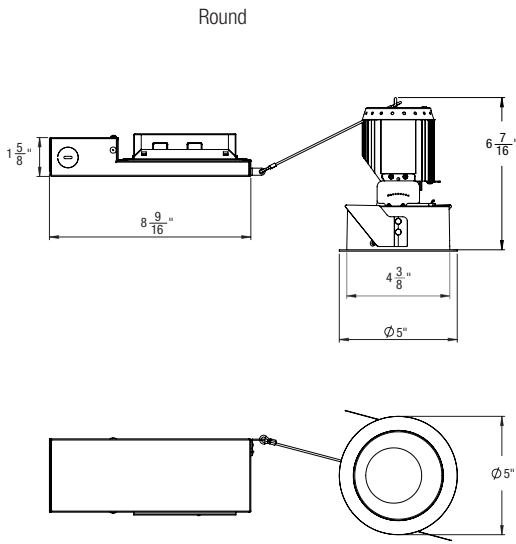
Type:

Project:

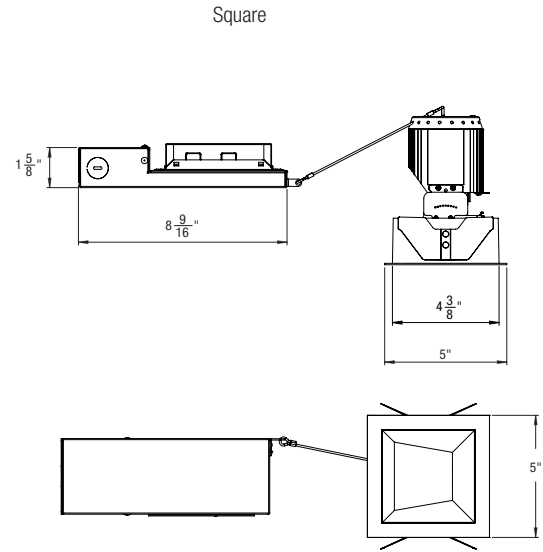
Date:

Notes:

Housing Dimensions

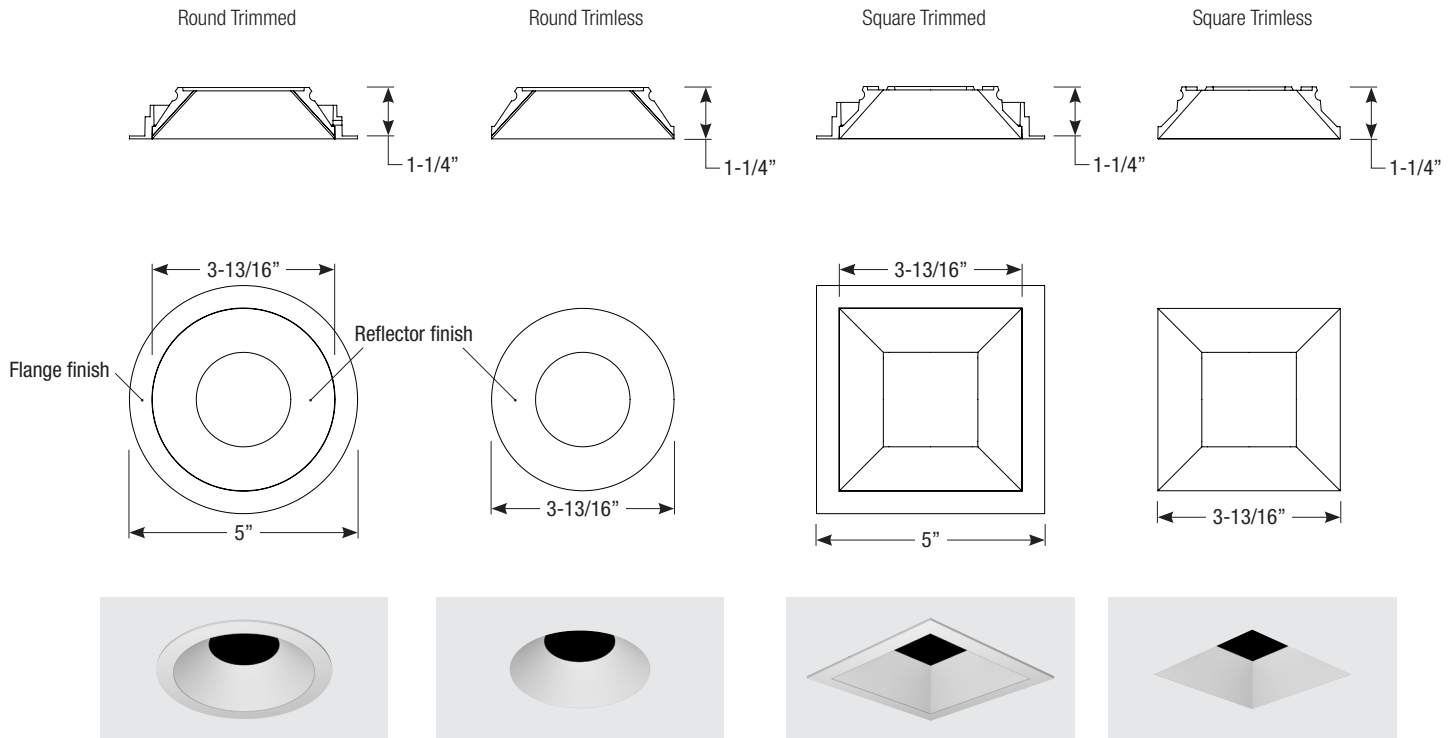


Ceiling Cut-out: 4-3/8" Ø



Ceiling Cut-out: 4-3/8" x 4-3/8"

Trim Dimensions



Spec-00144 Revised 06/04/2020