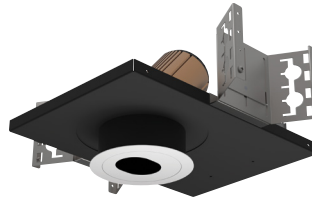


3" acrobat LED Adjustable Slot Pinhole

Non-IC New Construction Housing

Round or Square / Trimmed or Trimless



Wattage	CCT	Delivered Lumens	Efficacy
10W	3000K	858lm	86lpw
15W	3000K	1335lm	89lpw
20W	3000K	1604lm	80lpw
25W	3000K	1907lm	76lpw

Lumens will vary depending on CCT & optic

Description

- Acrobat adjustable downlight delivers over 1900lm through a slotted pinhole with four optical distributions. Adjustable mechanism allows for precise aiming up to 40° tilt and 360° rotation. Delivered lumens are maintained in different ceiling thicknesses.
- Drivers are accessible from below the ceiling.

Field Replaceable LED Light Engine

- 10W, 15W, 20W or 25W LED with 2 SDCM binning
- 2700K, 3000K, 3500K or 4000K at 90 CRI
- Field replaceable optics available in spot, narrow flood, flood or wide flood
- 50,000 hours at 70% lumen maintenance (L70)

Field Replaceable Dimming Driver

- Power factor > 0.9, 50/60Hz
- Multiple dimming drivers available
- Complies with IEEE62.41 surge protection

Adjustability

Locking 360° horizontal rotation and 40° tilt
(Note: 2" ceiling thickness limits mechanism to 30° tilt)

Housing

Non-IC rated housing must be kept a minimum of 3" from insulation. 18 gauge galvanized steel housing and junction box with 1/2" trade size knockouts. Includes universal butterfly brackets to accommodate C-Channel, adjustable bar hangers, and EMT. C-Channel is recommended for T-bar ceilings and must be ordered separately. Adjustable wood joist bar hangers are included. Max. ambient temperature: 104°F (40°C)

Ceiling Thickness

- Accommodates ceiling thickness from 1/2" to 1-1/2" (Extended 2" collar available, must specify)
- Delivered lumens are maintained through entire range

Trim Style

- Die-cast slotted aluminum pinhole trim in powder coat finishes, consult factory for custom finishes
- Trimless mud plate and wood ceiling option available

Emergency

Remote inverter operates for 90 minutes with remote test switch available, requires above ceiling access.

Listing/Warranty

- Patent pending
- Five (5) year limited warranty
- UL listed to US and Canadian standards for wet locations



Housing Order Matrix (Example: A3-NC25S-R00-LCB-24)

Type	Wattage	Driver	Aperture	Trim Style	Rev	Extended Collar	Hanger Bar
A3-NC (Non-IC)	10 (10W)	S¹ (ERP, Universal Dim, Triac/ELV/0-10V 10% 120-277V)	-R (Round) -S (Square)	(blank) (Flanged) TL (Trimless) WC (Wood Ceiling)	00	(blank) (Standard 1-1/2") -2 (Up to 2")	(blank) (Standard) -LCB-24 (24" C-Channel) -LCB-48 (48" C-Channel)
	15 (15W)	L1 (Lutron Hi-lume® 2-Wire 1% 120V)					
	20 (20W)	L2 (Lutron EcoSystem® 5% 120-277V)					
	25 (25W)	L3 (Lutron Hi-lume® Fade-to-Black 1% 120-277V)					
		EL1 (eldoLED DALI 1% 120-277V)					
		EL2 (eldoLED 0-10V 1% 120-277V)					
		DMX (DMX 1% 120-277V)					
		LR1 (Remote Lutron Hi-lume® 2-Wire 1% 120V)					
		SR1¹ (Remote ERP, Universal Dim, Triac/ELV/0-10V 10% 120-277V)					

1. Forward and reverse phase dimming at 120V only
All drivers are accessible from below the ceiling.

Trim Order Matrix (Example: A3-6RWH-WH2730-00)

Trim	Aperture	Reflector Finish	Flange Finish	CCT / CRI	Optic	Rev
A3-6	R (Round) S (Square)	WH (White)	(blank) (Trimless / Wood Ceiling)	27 (2700K / 90 CRI)	10 (Spot) 30 (Narrow Flood) 50 (Flood) 80 (Wide Flood)	-00
		BL (Black)	-WH (White)	30 (3000K / 90 CRI)		
		SA (Satin Aluminum)	-BL (Black)	35 (3500K / 90 CRI)		
		BZ (Bronze)	-SA (Satin Aluminum)	40 (4000K / 90 CRI)		
			-BZ (Bronze)			

Accessories (Note: Media holder required)

A3-MHLDR (Media Holder- required)
A3-HEX (Hex Louver)
A3-FR (Frosted Lens)
A3-MP (Solite Lens)
A3-CL (Clear Lens)
A3-LS (Linear Spread Lens)

Optics

A3-10-OPTIC (10° Spot)
A3-30-OPTIC (30° Narrow Flood)
A3-50-OPTIC (50° Flood)
A3-80-OPTIC (80° Wide Flood)

Emergency

EM-1000 (25W LED Remote Inverter)
EM-1002 (10W LED Remote Emergency Driver)
EM-1003 (35W LED Remote Inverter)
EM-1004 (50W LED Remote Inverter)

3" acrobat LED Adjustable Slot Pinhole

Non-IC New Construction Housing

Round or Square / Trimmed or Trimless

Catalog #:

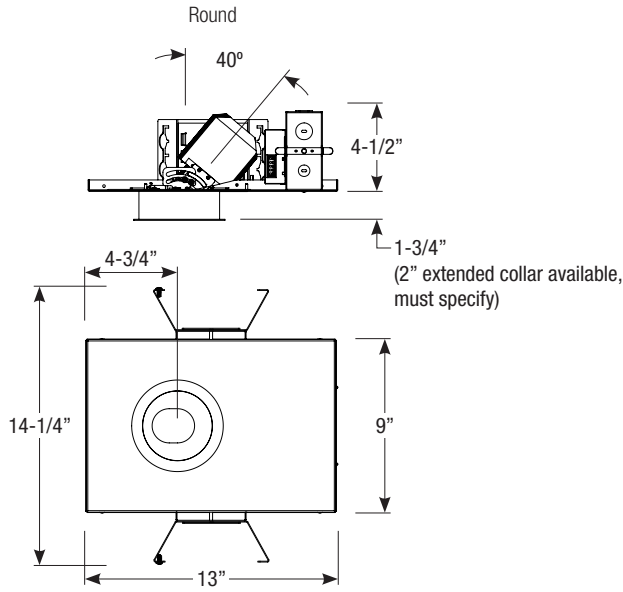
Type:

Project:

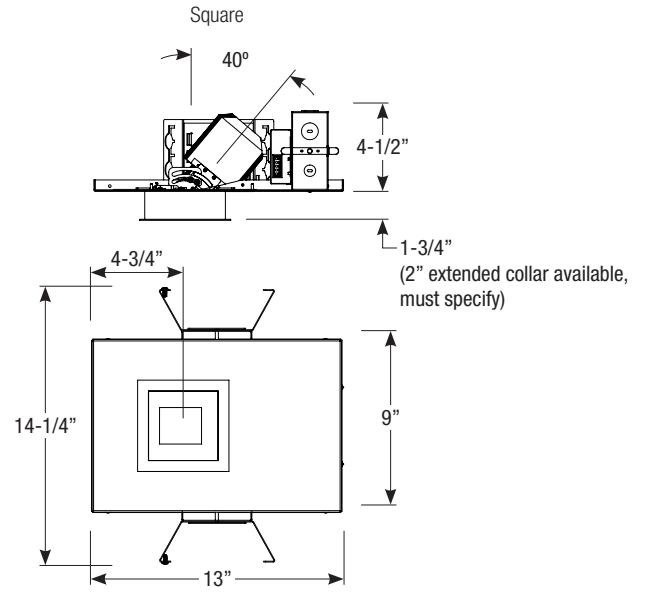
Date:

Notes:

Housing Dimensions

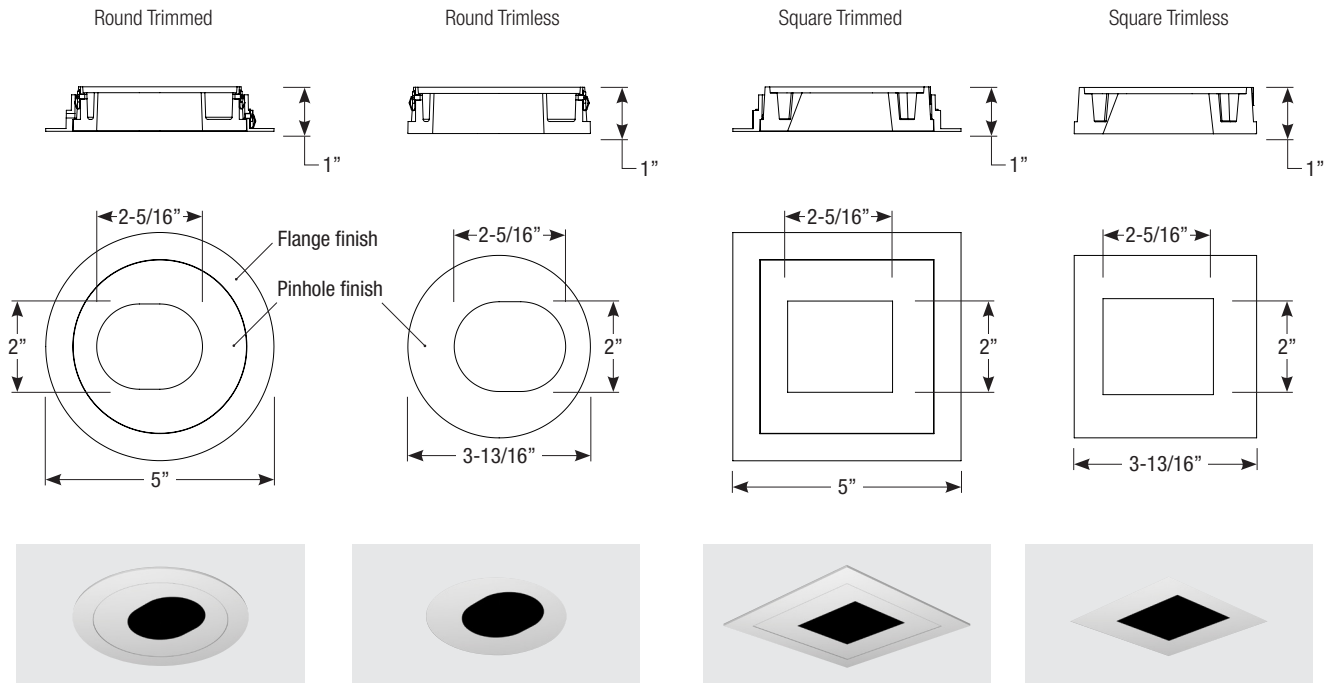


Ceiling Cut-out: 4-1/4" Ø



Ceiling Cut-out: 4-1/4" x 4-1/4"

Trim Dimensions



Spec-00132 Revised 04/27/2020