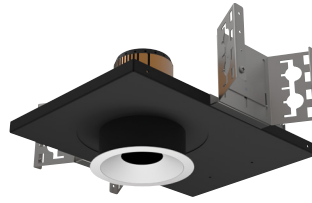


3" acrobat LED Downlight

Non-IC New Construction Housing

Round or Square / Trimmed or Trimless



| Wattage | CCT | Delivered Lumens | Efficacy |
|---------|-------|------------------|----------|
| 10W | 3000K | 858lm | 86lpw |
| 15W | 3000K | 1335lm | 89lpw |
| 20W | 3000K | 1604lm | 80lpw |
| 25W | 3000K | 1907lm | 76lpw |

Lumens will vary depending on CCT & optic

Description

- Acrobat downlight delivers over 1900lm through a 3" aperture with four optical distributions. Delivered lumens are maintained in different ceiling thicknesses.
- Drivers are accessible from below the ceiling.

Field Replaceable LED Light Engine

- 10W, 15W, 20W or 25W LED with 2 SDCM binning
- 2700K, 3000K, 3500K or 4000K at 90 CRI
- Field replaceable optics available in spot, narrow flood, flood or wide flood
- 50,000 hours at 70% lumen maintenance (L70)

Field Replaceable Dimming Driver

- Power factor > 0.9, 50/60Hz
- Multiple dimming drivers available
- Complies with IEEE62.41 surge protection

Housing

Non-IC rated housing must be kept a minimum of 3" from insulation. 18 gauge galvanized steel housing and junction box with 1/2" trade size knockouts. Includes universal butterfly brackets to accommodate C-Channel, adjustable bar hangers, and EMT. C-Channel is recommended for T-bar ceilings and must be ordered separately. Adjustable wood joist bar hangers are included. Max. ambient temperature: 104°F (40°C)

Ceiling Thickness

- Accommodates ceiling thickness from 1/2" to 1-1/2" (Extended 2" collar available, must specify)
- Delivered lumens are maintained through entire range

Trim Style

- Round spun aluminum trim with anodized finishes, consult factory for custom finishes
- Square die-cast aluminum trim with powder coat finishes, consult factory for custom finishes
- Trimless mud plate and wood ceiling option available

Accessories

Accommodates (2) accessories, a media holder is required. Accessories are not compatible when used with lensed trim.

Emergency

Remote inverter operates for 90 minutes with remote test switch available, requires above ceiling access.

Listing/Warranty

- Patent pending
- Five (5) year limited warranty
- UL listed to US and Canadian standards for damp locations
- UL listed to US and Canadian standards for wet locations when used with lens



Housing Order Matrix (Example: A3-NC25S-R00-LCB-24)

| Type | Wattage | Driver | Aperture | Trim Style | Rev | Extended Collar | Hanger Bar |
|--------------------------|--|---|---|--|-----------|--|--|
| A3-NC (Non-IC) | 10 (10W) | S¹ (ERP, Universal Dim, Triac/ELV/0-10V 10% 120-277V) | -R (Round) -S (Square) | (blank) (Flanged) TL (Trimless) WC (Wood Ceiling) | 00 | (blank) (Standard 1-1/2") -2 (Up to 2") | (blank) (Standard) -LCB-24 (24" C-Channel) -LCB-48 (48" C-Channel) |
| | 15 (15W) | L1 (Lutron Hi-lume® 2-Wire 1% 120V) | | | | | |
| | 20 (20W) | L2 (Lutron EcoSystem® 5% 120-277V) | | | | | |
| | 25 (25W) | L3 (Lutron Hi-lume® Fade-to-Black 1% 120-277V) | | | | | |
| | | EL1 (eldoLED DALI 1% 120-277V) | | | | | |
| | EL2 (eldoLED 0-10V 1% 120-277V) | | | | | | |
| | DMX (DMX 1% 120-277V) | | | | | | |
| | LR1 (Remote Lutron Hi-lume® 2-Wire 1% 120V) | | | | | | |
| | SR1¹ (Remote ERP, Universal Dim, Triac/ELV/0-10V 10% 120-277V) | | | | | | |

1. Forward and reverse phase dimming at 120V only
All drivers are accessible from below the ceiling.

Trim Order Matrix (Example: A3-1RWH-WH2730-NL-00)

| Trim | Aperture | Reflector Finish | Flange Finish | CCT / CRI | Optic | Lens Type | Rev |
|-------------|---------------------------------------|-------------------------------------|-----------------------------------|----------------------------|---|--|------------|
| A3-1 | R (Round) S (Square) | WH (White) | (blank) (Trimless / Wood Ceiling) | 27 (2700K / 90 CRI) | 10 (Spot) 30 (Narrow Flood) 50 (Flood) 80 (Wide Flood) | -NL (No Lens - damp location) -FR (Frosted - wet location) -MP (Solite - wet location) -CL (Clear - wet location) | -00 |
| | | CA² (Clear Alzak) | -WH (White) | 30 (3000K / 90 CRI) | | | |
| | | BL (Black) | -BL (Black) | 35 (3500K / 90 CRI) | | | |
| | | SA (Satin Aluminum) | -SA (Satin Aluminum) | 40 (4000K / 90 CRI) | | | |
| | | BZ (Bronze) | -BZ (Bronze) | | | | |

2. Available in round aperture only

Accessories (Note: Media holder required)

A3-MHLDR (Media Holder - required)
A3-HEX (Hex Louver)
A3-FR (Frosted Lens)
A3-MP (Solite Lens)
A3-CL (Clear Lens)
A3-LS (Linear Spread Lens)

Optics

A3-10-OPTIC (10° Spot)
A3-30-OPTIC (30° Narrow Flood)
A3-50-OPTIC (50° Flood)
A3-80-OPTIC (80° Wide Flood)

Emergency

EM-1000 (25W LED Remote Inverter)
EM-1002 (10W LED Remote Emergency Driver)
EM-1003 (35W LED Remote Inverter)
EM-1004 (50W LED Remote Inverter)

3" acrobat LED Downlight
Non-IC New Construction Housing
 Round or Square / Trimmed or Trimless

Catalog #:

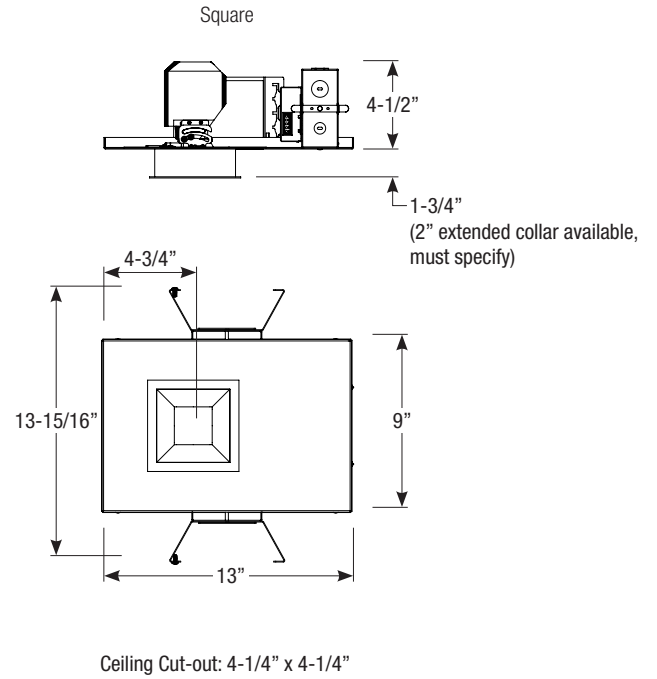
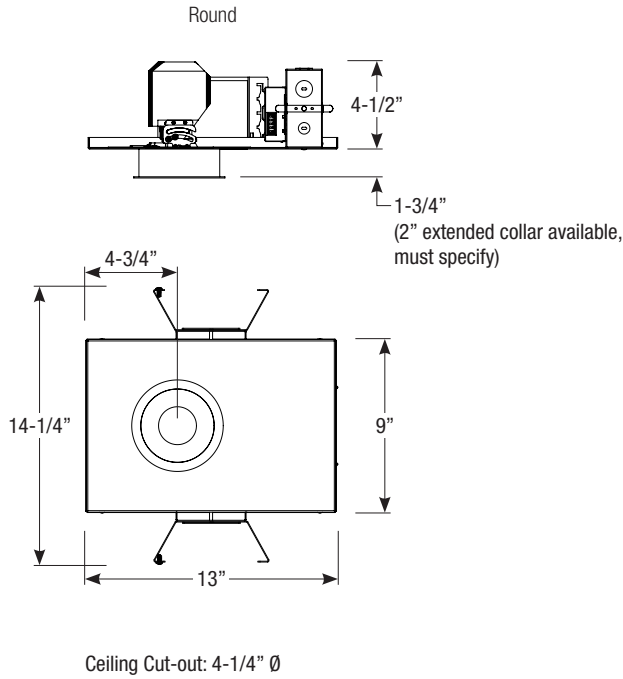
Type:

Project:

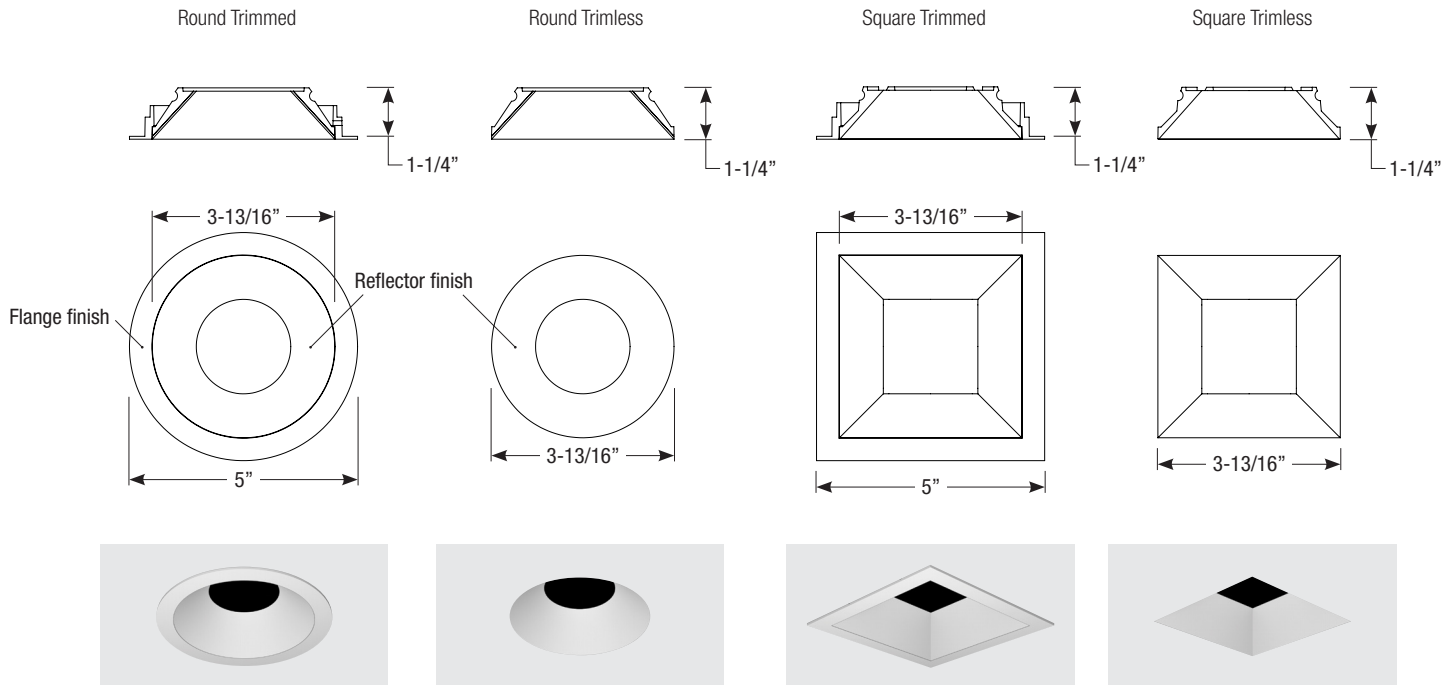
Date:

Notes:

Housing Dimensions



Trim Dimensions



Spec-00127 Revised 04/27/2020