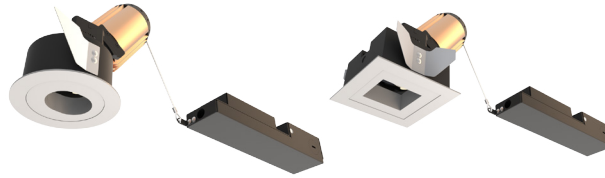


## 2" acrobat LED Adjustable Slot Pinhole Remodel Housing

Round or Square / Trimmed or Trimless



Wattage	CCT	Delivered Lumens	Efficacy
10W	3000K	795lm	79lpw
15W	3000K	1184lm	79lpw
20W	3000K	1406lm	70lpw

Lumens will vary depending on CCT & optic

### Description

- Acrobat adjustable downlight delivers over 1400lm through a slotted pinhole with four optical distributions. Adjustable mechanism allows for precise aiming up to 35° tilt and 360° rotation. Delivered lumens are maintained in different ceiling thicknesses.
- No ceiling access required.

### Field Replaceable LED Light Engine

- 10W, 15W or 20W LED with 2 SDGM binning
- 2700K, 3000K, 3500K or 4000K at 90 CRI
- Field replaceable optics available in spot, narrow flood, flood or wide flood
- 50,000 hours at 70% lumen maintenance (L70)

### Field Replaceable Dimming Driver

- Power factor > 0.9, 50/60Hz
- Multiple dimming drivers available
- Complies with IEEE62.41 surge protection

### Adjustability

Locking 360° horizontal rotation and 35° tilt (Note: 2" ceiling thickness limits mechanism to 25° tilt)

### Housing

Non-IC rated housing must be kept a minimum of 3" from insulation. 18 gauge galvanized steel housing and junction box with (3) 1/2" trade size knockouts. Includes (2) steel compression clips for installation below the ceiling. Max. ambient temperature: 104°F (40°C)

### Ceiling Thickness

- Accommodates ceiling thickness from 1/2" to 2"
- Delivered lumens are maintained through entire range

### Trim Style

- Die-cast slotted aluminum pinhole trim in powder coat finishes, consult factory for custom finishes
- Trimless mud plate option available

### Emergency

Remote inverter operates for 90 minutes with remote test switch available, requires above ceiling access.

### Listing/Warranty

- Patent pending
- Five (5) year limited warranty
- UL listed to US and Canadian standards for wet locations



### Housing Order Matrix (Example: A2-RM10S-RWH00)

Installation Type	Wattage	Driver	Aperture	Flange Finish	Rev
<b>A2-RM</b> (Non-IC)	<b>10</b> (10W)	<b>S<sup>1,2</sup></b> (ERP, Universal Dim, Triac/ELV/0-10V 10% 120-277V)	<b>-R</b> (Round) <b>-S</b> (Square)	<b>WH</b> (White)	<b>00</b>
	<b>15</b> (15W)	<b>LR1</b> (Remote Lutron Hi-lume® 2-Wire 1% 120V)		<b>BL</b> (Black)	
	<b>20</b> (20W)	<b>SR1<sup>1</sup></b> (Remote ERP, Universal Dim, Triac/ELV/0-10V 10% 120-277V)		<b>SA</b> (Satin Aluminum) <b>BZ</b> (Bronze) <b>TL</b> (Trimless)	

1. Forward and reverse phase dimming at 120V only
2. Driver is accessible from below ceiling

### Trim Order Matrix (Example: A2-6RWH2730-00)

Trim	Aperture	Pinhole Finish	CCT / CRI	Optic	Rev
<b>A2-6</b>	<b>R</b> (Round) <b>S</b> (Square)	<b>WH</b> (White)	<b>27</b> (2700K / 90 CRI)	<b>10</b> (Spot)	<b>-00</b>
		<b>BL</b> (Black)	<b>30</b> (3000K / 90 CRI)	<b>30</b> (Narrow Flood)	
		<b>SA</b> (Satin Aluminum)	<b>35</b> (3500K / 90 CRI)	<b>50</b> (Flood)	
		<b>BZ</b> (Bronze)	<b>40</b> (4000K / 90 CRI)	<b>80</b> (Wide Flood)	

### Accessories (Note: Media holder required)

<b>A2-MHLDR</b>	(Media Holder- required)
<b>A2-HEX</b>	(Hex Louver)
<b>A2-FR</b>	(Frosted Lens)
<b>A2-MP</b>	(Solite Lens)
<b>A2-CL</b>	(Clear Lens)
<b>A2-LS</b>	(Linear Spread Lens)
<b>ABAT-RGNPLT-RND</b>	(Round Rough-in Plate)
<b>ABAT-RGNPLT-RND10</b>	(Round Rough-in Plate, 10pcs)
<b>ABAT-RGNPLT-RND5</b>	(Round Rough-in Plate, 5pcs)
<b>ABAT-RGNPLT-SQ</b>	(Square Rough-in Plate)
<b>ABAT-RGNPLT-SQ10</b>	(Square Rough-in Plate, 10pcs)
<b>ABAT-RGNPLT-SQ5</b>	(Square Rough-in Plate, 5pcs)

### Optics

<b>A2-10-OPTIC</b>	(10° Spot)
<b>A2-30-OPTIC</b>	(30° Narrow Flood)
<b>A2-50-OPTIC</b>	(50° Flood)
<b>A2-80-OPTIC</b>	(80° Wide Flood)

### Emergency

<b>EM-1000</b>	(25W LED Remote Inverter)
<b>EM-1002</b>	(10W LED Remote Emergency Driver)
<b>EM-1003</b>	(35W LED Remote Inverter)
<b>EM-1004</b>	(50W LED Remote Inverter)

# 2" acrobat LED Adjustable Slot Pinhole

## Remodel Housing

Round or Square / Trimmed or Trimless

Catalog #:

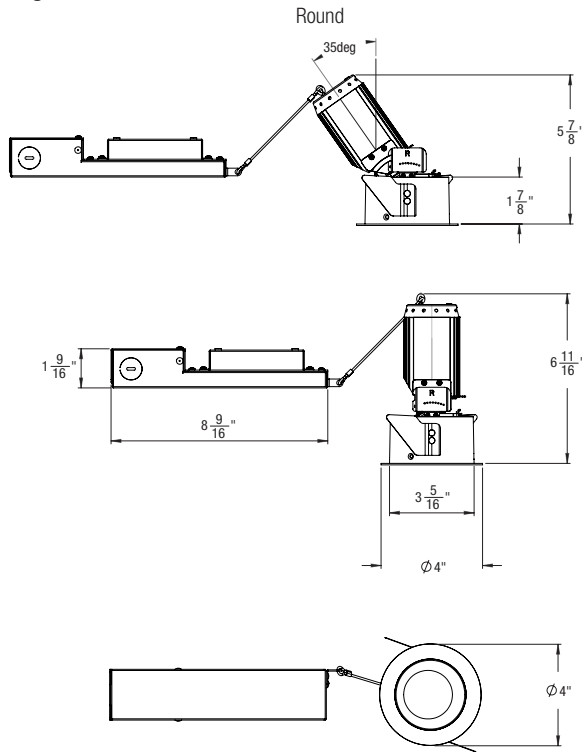
Type:

Project:

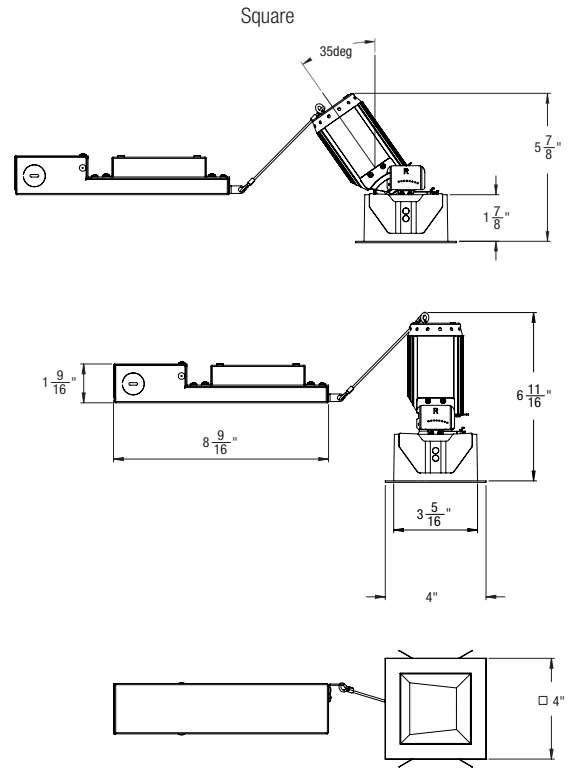
Date:

Notes:

### Housing Dimensions

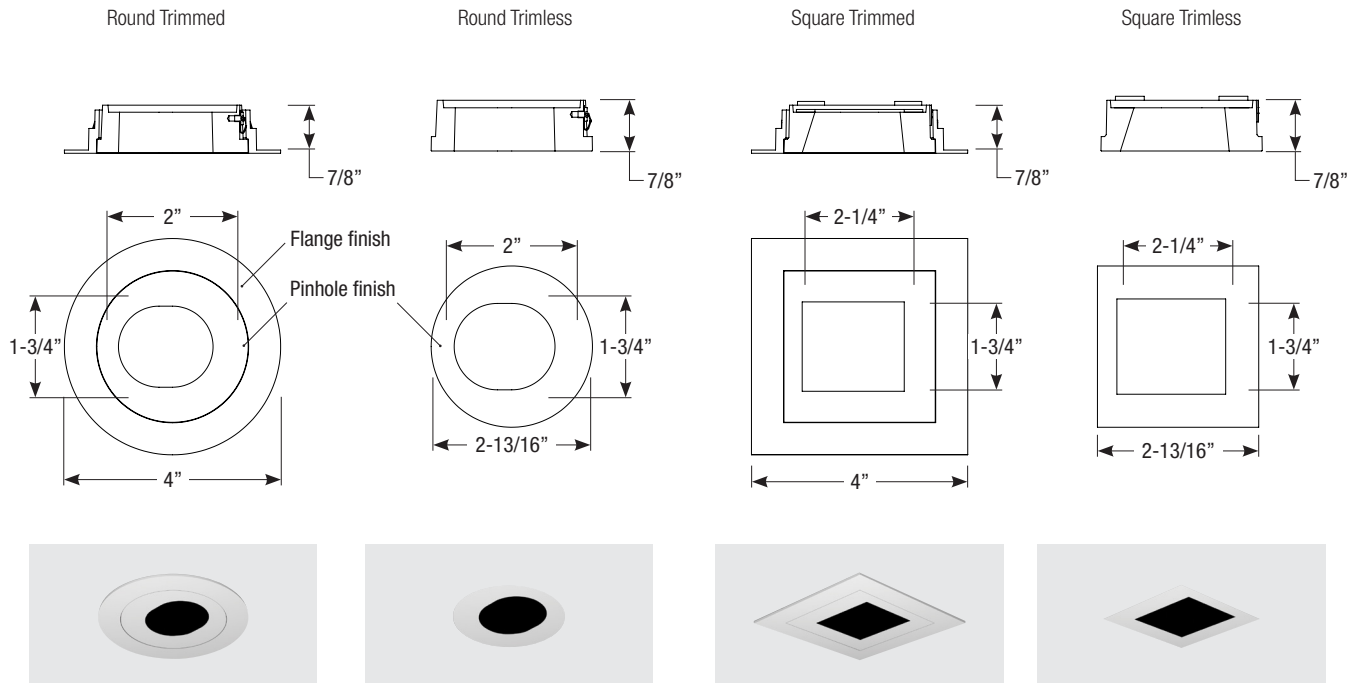


Ceiling Cut-out: 3-3/8" Ø



Ceiling Cut-out: 3-3/8" x 3-3/8"

### Trim Dimensions



Spec-00098 Revised 06/04/2020