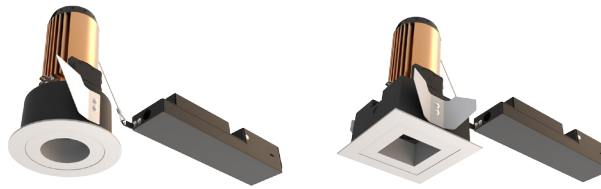


2" acrobat LED Pinhole Downlight Remodel Housing

Round or Square / Trimmed or Trimless



| Wattage | CCT | Delivered Lumens | Efficacy |
|---------|-------|------------------|----------|
| 10W | 3000K | 795lm | 79lpw |
| 15W | 3000K | 1184lm | 79lpw |
| 20W | 3000K | 1406lm | 70lpw |

Lumens will vary depending on CCT, optic & lens option

Description

- Acrobat downlight delivers over 1400lm through a 1-3/4" pinhole with four optical distributions. Delivered lumens are maintained in different ceiling thicknesses.
- No ceiling access required.

Field Replaceable LED Light Engine

- 10W, 15W or 20W LED with 2 SDCM binning
- 2700K, 3000K, 3500K or 4000K at 90 CRI
- Field replaceable optics available in spot, narrow flood, flood or wide flood
- 50,000 hours at 70% lumen maintenance (L70)

Field Replaceable Dimming Driver

- Power factor > 0.9, 50/60Hz
- Multiple dimming drivers available
- Complies with IEEE62.41 surge protection

Housing

Non-IC rated housing must be kept a minimum of 3" from insulation. 18 gauge galvanized steel housing and junction box with (3) 1/2" trade size knockouts. Includes (2) steel compression clips for installation below the ceiling. Max. ambient temperature: 104°F (40°C)

Ceiling Thickness

- Accommodates ceiling thickness from 1/2" to 2"
- Delivered lumens are maintained through entire range

Trim Style

- Die-cast aluminum pinhole trim with powder coat finishes, consult factory for custom finishes
- Trimless mud plate option available

Accessories

Accommodates (2) accessories, a media holder is required. Accessories are not compatible when used with lensed trim.

Emergency

Remote inverter operates for 90 minutes with remote test switch available, requires above ceiling access.

Listing/Warranty

- Patent pending
- Five (5) year limited warranty
- UL listed to US and Canadian standards for damp locations
- UL listed to US and Canadian standards for wet locations when used with lens



Housing Order Matrix (Example: A2-RM10S-RWH00)

| Installation Type | Wattage | Driver | Aperture | Flange Finish | Rev |
|-------------------|----------|--|---------------------------|---|-----|
| A2-RM (Non-IC) | 10 (10W) | S ^{1,2} (ERP, Universal Dim, Triac/ELV/0-10V 10% 120-277V) | -R (Round) -S (Square) | WH (White) | 00 |
| | 15 (15W) | LR1 (Remote Lutron Hi-lume® 2-Wire 1% 120V) | | BL (Black) | |
| | 20 (20W) | SR1 ¹ (Remote ERP, Universal Dim, Triac/ELV/0-10V 10% 120-277V) | | SA (Satin Aluminum) BZ (Bronze) TL (Trimless) | |

1. Forward and reverse phase dimming at 120V only
2. Driver is accessible from below ceiling

Trim Order Matrix (Example: A2-3RWH2730-NL-00)

| Trim | Aperture | Pinhole Finish | CCT / CRI | Optic | Lens Type | Rev |
|------|-------------------------|---------------------|---------------------|-------------------|-------------------------------|-----|
| A2-3 | R (Round) S (Square) | WH (White) | 27 (2700K / 90 CRI) | 10 (Spot) | -NL (No Lens - damp location) | -00 |
| | | BL (Black) | 30 (3000K / 90 CRI) | 30 (Narrow Flood) | -FR (Frosted - wet location) | |
| | | SA (Satin Aluminum) | 35 (3500K / 90 CRI) | 50 (Flood) | -MP (Solite - wet location) | |
| | | BZ (Bronze) | 40 (4000K / 90 CRI) | 80 (Wide Flood) | -CL (Clear - wet location) | |

Accessories (Note: Media holder required)

| | |
|-------------------|--------------------------------|
| A2-MHLDR | (Media Holder- required) |
| A2-HEX | (Hex Louver) |
| A2-FR | (Frosted Lens) |
| A2-MP | (Solite Lens) |
| A2-CL | (Clear Lens) |
| A2-LS | (Linear Spread Lens) |
| ABAT-RGNPLT-RND | (Round Rough-in Plate) |
| ABAT-RGNPLT-RND10 | (Round Rough-in Plate, 10pcs) |
| ABAT-RGNPLT-RND5 | (Round Rough-in Plate, 5pcs) |
| ABAT-RGNPLT-SQ | (Square Rough-in Plate) |
| ABAT-RGNPLT-SQ10 | (Square Rough-in Plate, 10pcs) |
| ABAT-RGNPLT-SQ5 | (Square Rough-in Plate, 5pcs) |

Optics

| | |
|-------------|--------------------|
| A2-10-OPTIC | (10° Spot) |
| A2-30-OPTIC | (30° Narrow Flood) |
| A2-50-OPTIC | (50° Flood) |
| A2-80-OPTIC | (80° Wide Flood) |

Emergency

| | |
|---------|-----------------------------------|
| EM-1000 | (25W LED Remote Inverter) |
| EM-1002 | (10W LED Remote Emergency Driver) |
| EM-1003 | (35W LED Remote Inverter) |
| EM-1004 | (50W LED Remote Inverter) |

2" acrobat LED Pinhole Downlight

Remodel Housing

Round or Square / Trimmed or Trimless

Catalog #:

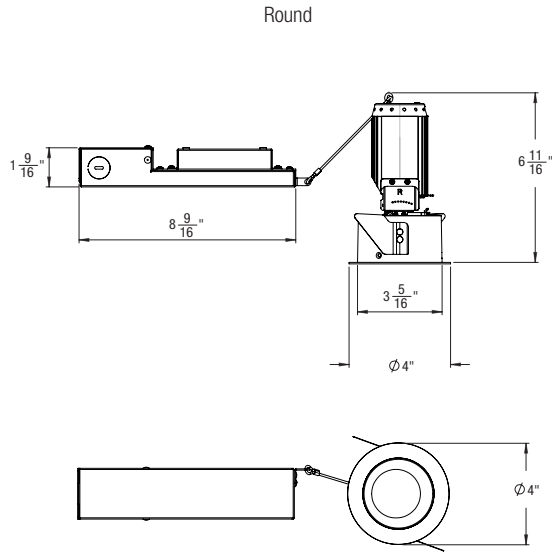
Type:

Project:

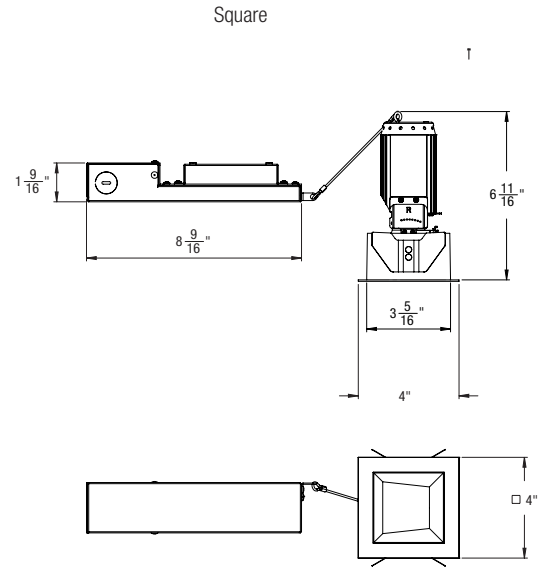
Date:

Notes:

Housing Dimensions

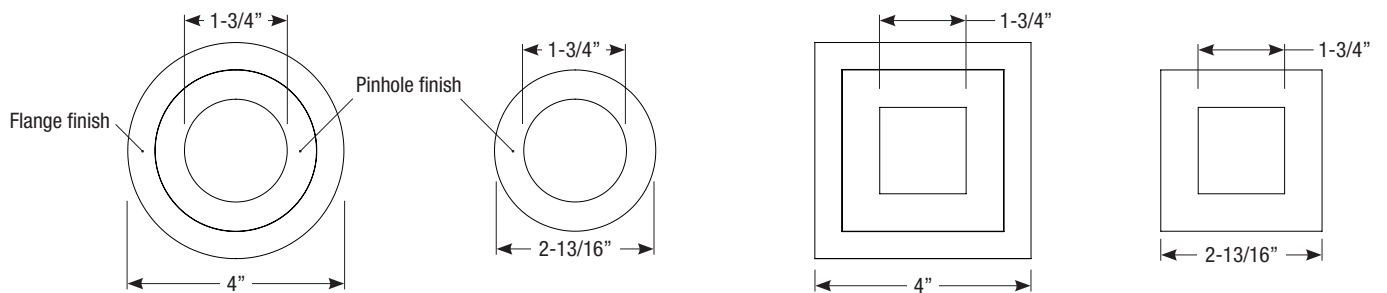
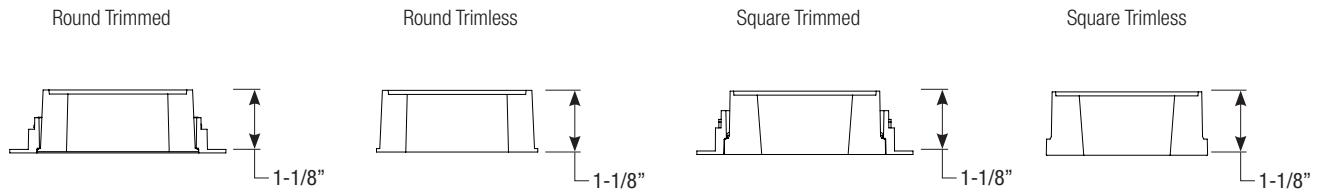


Ceiling Cut-out: 3-3/8" ϕ



Ceiling Cut-out: 3-3/8" x 3-3/8"

Trim Dimensions



Spec-00095 Revised 06/04/2020