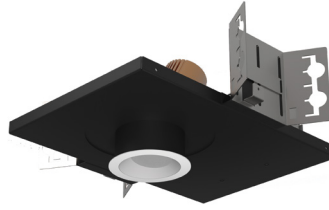


2" acrobat LED Wall Wash

Non-IC New Construction Housing

Round or Square / Trimmed or Trimless



Wattage	CCT	Delivered Lumens	Efficacy
10W	3000K	795lm	79lpw
15W	3000K	1184lm	79lpw
20W	3000K	1406lm	70lpw

Lumens will vary depending on CCT & optic

Description

- Acrobat wall wash delivers uniform vertical and horizontal wall distribution through a 2" aperture.
- No ceiling access required except for certain specified driver configurations.

Field Replaceable LED Light Engine

- 10W, 15W or 20W LED with 2 SDCM binning
- 2700K, 3000K, 3500K or 4000K at 90 CRI
- Field replaceable optics available in spot, narrow flood, flood or wide flood
- 50,000 hours at 70% lumen maintenance (L70)

Field Replaceable Dimming Driver

- Power factor > 0.9, 50/60Hz
 - Multiple dimming drivers available
- Complies with IEEE C62.41 surge protection

Adjustability

Locking 360° horizontal rotation and 35° tilt. Adjust to 0° for spacing of 1.5 feet from wall and fixture opening

center and 1.5 feet from fixture opening center to fixture opening center. Adjust to 5° for spacing of 2 feet from wall and fixture opening center and 2 feet from fixture opening center to fixture opening center. (Note: 2" ceiling thickness limits mechanism to 25° tilt)

Housing

Non-IC rated housing must be kept a minimum of 3" from insulation. 18 gauge galvanized steel housing and junction box with 1/2" trade size knockouts. Includes universal butterfly brackets to accommodate C-Channel, adjustable bar hangers, and EMT. C-Channel is recommended for T-bar ceilings and must be ordered separately. Adjustable wood joist bar hangers are included. Max. ambient temperature: 104°F (40°C)

Ceiling Thickness

- Accommodates ceiling thickness from 1/2" to 1-1/2" (Extended 2" collar available, must specify)
- Delivered lumens are maintained through entire range

Trim Style

- Round spun aluminum cut angle trim in anodized finishes available, consult factory for custom finishes
- Square die-cast aluminum cut angle trim in powder coat finishes available, consult factory for custom finishes
- Trimless mud plate and wood ceiling option available

Emergency

Remote inverter operates for 90 minutes with remote test switch available, requires above ceiling access.

Listing/Warranty

- Patent pending
- Five (5) year limited warranty
- UL listed to US and Canadian standards for damp locations



Housing Order Matrix (Example: A2-NC20S-R00-LCB-24)

Type	Wattage	Driver	Aperture	Trim Style	Rev	Extended Collar	Hanger Bar
A2-NC (Non-IC)	10 (10W)	S^{2,3} (ERP, Universal Dim, Triac/ELV/0-10V 10% 120-277V)	-R (Round) -S (Square)	(blank) (Flanged)	00	(blank) (Standard 1-1/2") -2 (Up to 2")	(blank) (Standard)
	15 (15W)	L1¹ (Lutron Hi-lume [®] 2-Wire 1% 120V)		TL (Trimless)			-LCB-24 (24" C-Channel)
	20 (20W)	L2¹ (Lutron EcoSystem [®] 5% 120-277V)		WC (Wood Ceiling)			-LCB-48 (48" C-Channel)
		L3¹ (Lutron Hi-lume [®] Fade-to-Black 1% 120-277V)					
		EL1¹ (eldoLED DALI 1% 120-277V)					
		EL2¹ (eldoLED 0-10V 1% 120-277V)					
		DMX¹ (DMX 1% 120-277V)					
	LR1 (Remote Lutron Hi-lume [®] 2-Wire 1% 120V)						
	SR1³ (Remote ERP, Universal Dim, Triac/ELV/0-10V 10% 120-277V)						

1. Above ceiling access requires
2. Accessible from below ceiling
3. Forward and reverse phase dimming at 120V only

Trim Order Matrix (Example: A2-7RWH-WH2730-00)

Trim	Aperture	Reflector Finish	Flange Finish	CCT / CRI	Optic	Rev
A2-7	R (Round) S (Square)	WH (White)	(blank) (Trimless / Wood Ceiling)	27 (2700K / 90 CRI)	50 (Wall Wash)	-00
		CA² (Clear Alzak)	-WH (White)	30 (3000K / 90 CRI)		
		BL (Black)	-BL (Black)	35 (3500K / 90 CRI)		
		SA (Satin Aluminum)	-SA (Satin Aluminum)	40 (4000K / 90 CRI)		
		BZ (Bronze)	-BZ (Bronze)			

2. Available in round aperture only

Emergency

- EM-1000** (25W LED Remote Inverter)
- EM-1002** (10W LED Remote Emergency Driver)
- EM-1003** (35W LED Remote Inverter)
- EM-1004** (50W LED Remote Inverter)

2" acrobat LED Wall Wash
Non-IC New Construction Housing
 Round or Square / Trimmed or Trimless

Catalog #:

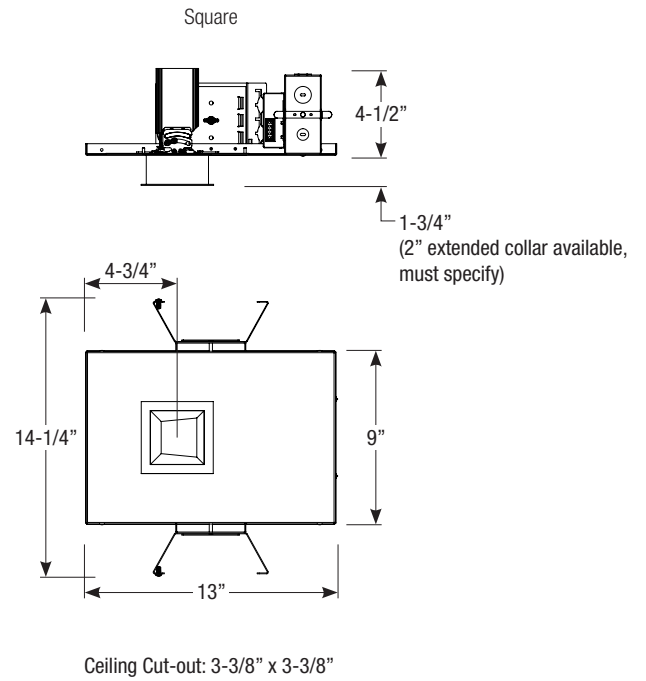
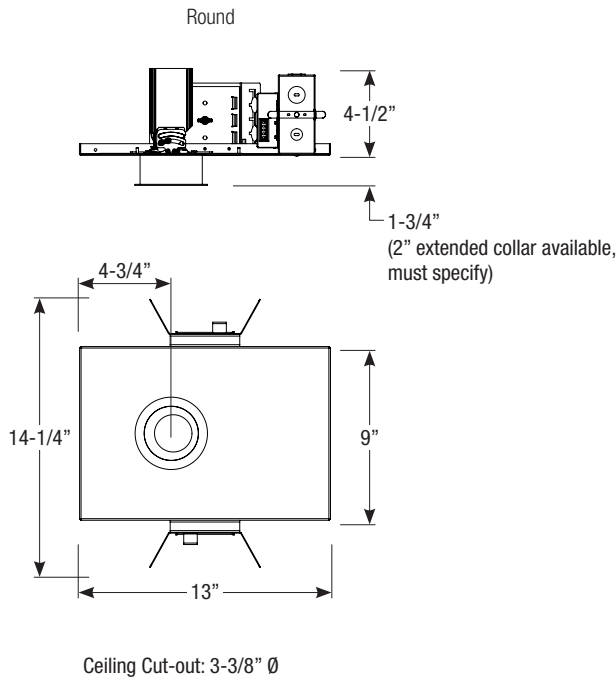
Type:

Project:

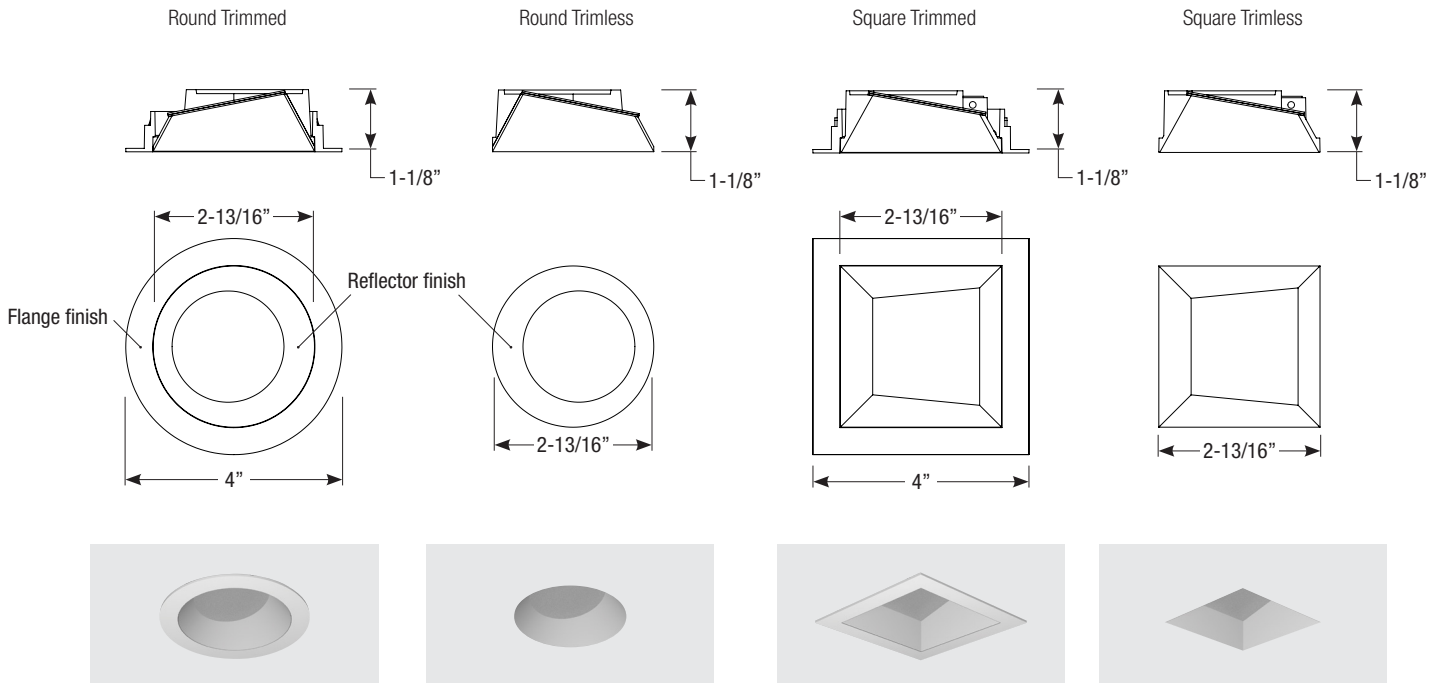
Date:

Notes:

Housing Dimensions



Trim Dimensions



Spec-00082 Revised 04/27/2020