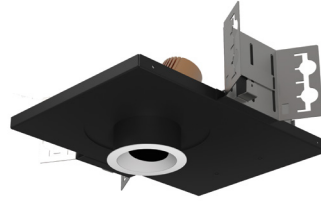


## 2" acrobat LED Adjustable Accent

### Non-IC New Construction Housing

Round or Square / Trimmed or Trimless



Wattage	CCT	Delivered Lumens	Efficacy
10W	3000K	795lm	79lpw
15W	3000K	1184lm	79lpw
20W	3000K	1406lm	70lpw

Lumens will vary depending on CCT & optic

#### Description

- Acrobat adjustable accent delivers over 1400lm through a 2" aperture with four optical distributions. Adjustable mechanism allows for precise aiming up to 35° tilt and 360° rotation. Delivered lumens are maintained in different ceiling thicknesses.
- No ceiling access required except for certain specified driver configurations.

#### Field Replaceable LED Light Engine

- 10W, 15W or 20W LED with 2 SDCM binning
- 2700K, 3000K, 3500K or 4000K at 90 CRI
- Field replaceable optics available in spot, narrow flood, flood or wide flood
- 50,000 hours at 70% lumen maintenance (L70)

#### Field Replaceable Dimming Driver

- Power factor > 0.9, 50/60Hz
- Multiple dimming drivers available
- Complies with IEEE62.41 surge protection

#### Adjustability

Locking 360° horizontal rotation and 35° tilt  
(Note: 2" ceiling thickness limits mechanism to 25° tilt)

#### Housing

Non-IC rated housing must be kept a minimum of 3" from insulation. 18 gauge galvanized steel housing and junction box with 1/2" trade size knockouts. Includes universal butterfly brackets to accommodate C-Channel, adjustable bar hangers, and EMT. C-Channel is recommended for T-bar ceilings and must be ordered separately. Adjustable wood joist bar hangers are included. Max. ambient temperature: 104°F (40°C)

#### Ceiling Thickness

- Accommodates ceiling thickness from 1/2" to 1-1/2" (Extended 2" collar available, must specify)
- Delivered lumens are maintained through entire range

#### Trim Style

- Round spun aluminum cut angle trim with frosted lens in anodized finishes available, consult factory for custom finishes
- Square die-cast aluminum cut angle trim with frosted lens in powder coat finishes available, consult factory for custom finishes
- Trimless mud plate and wood ceiling option available

#### Emergency

Remote inverter operates for 90 minutes with remote test switch available, requires above ceiling access.

#### Listing/Warranty

- Patent pending
- Five (5) year limited warranty
- UL listed to US and Canadian standards for wet locations



#### Housing Order Matrix (Example: A2-NC20S-R00-LCB-24)

Type	Wattage	Driver	Aperture	Trim Style	Rev	Extended Collar	Hanger Bar
<b>A2-NC</b> (Non-IC)	<b>10</b> (10W)	<b>S<sup>2,3</sup></b> (ERP, Universal Dim, Triac/ELV/0-10V 10% 120-277V)	<b>-R</b> (Round) <b>-S</b> (Square)	(blank) (Flanged)	<b>00</b>	(blank) (Standard 1-1/2") <b>-2</b> (Up to 2")	(blank) (Standard)
	<b>15</b> (15W)	<b>L1<sup>1</sup></b> (Lutron Hi-lume® 2-Wire 1% 120V)		<b>TL</b> (Trimless)			<b>-LCB-24</b> (24" C-Channel)
	<b>20</b> (20W)	<b>L2<sup>1</sup></b> (Lutron EcoSystem® 5% 120-277V)		<b>WC</b> (Wood Ceiling)			<b>-LCB-48</b> (48" C-Channel)
		<b>L3<sup>1</sup></b> (Lutron Hi-lume® Fade-to-Black 1% 120-277V)					
		<b>EL1<sup>1</sup></b> (eldoLED DALI 1% 120-277V)					
		<b>EL2<sup>1</sup></b> (eldoLED 0-10V 1% 120-277V)					
		<b>DMX<sup>1</sup></b> (DMX 1% 120-277V)					
		<b>LR1</b> (Remote Lutron Hi-lume® 2-Wire 1% 120V)					
		<b>SR1<sup>3</sup></b> (Remote ERP, Universal Dim, Triac/ELV/0-10V 10% 120-277V)					

1. Above ceiling access requires
2. Accessible from below ceiling
3. Forward and reverse phase dimming at 120V only

#### Trim Order Matrix (Example: A2-4RWH-WH2730-NL-00)

Trim	Aperture	Reflector Finish	Flange Finish	CCT / CRI	Optic	Rev
<b>A2-4</b>	<b>R</b> (Round) <b>S</b> (Square)	<b>WH</b> (White)	(blank) (Trimless / Wood Ceiling)	<b>27</b> (2700K / 90 CRI)	<b>10</b> (Spot)	<b>-00</b>
		<b>CA<sup>2</sup></b> (Clear Alzak)	<b>-WH</b> (White)	<b>30</b> (3000K / 90 CRI)	<b>30</b> (Narrow Flood)	
		<b>BL</b> (Black)	<b>-BL</b> (Black)	<b>35</b> (3500K / 90 CRI)	<b>50</b> (Flood)	
		<b>SA</b> (Satin Aluminum)	<b>-SA</b> (Satin Aluminum)	<b>40</b> (4000K / 90 CRI)	<b>80</b> (Wide Flood)	
		<b>BZ</b> (Bronze)	<b>-BZ</b> (Bronze)			

2. Available in round aperture only

#### Optics

**A2-10-OPTIC** (10° Spot)  
**A2-30-OPTIC** (30° Narrow Flood)  
**A2-50-OPTIC** (50° Flood)  
**A2-80-OPTIC** (80° Wide Flood)

#### Emergency

**EM-1000** (25W LED Remote Inverter)  
**EM-1002** (10W LED Remote Emergency Driver)  
**EM-1003** (35W LED Remote Inverter)  
**EM-1004** (50W LED Remote Inverter)

# 2" acrobat LED Adjustable Accent

## Non-IC New Construction Housing

Round or Square / Trimmed or Trimless

Catalog #:

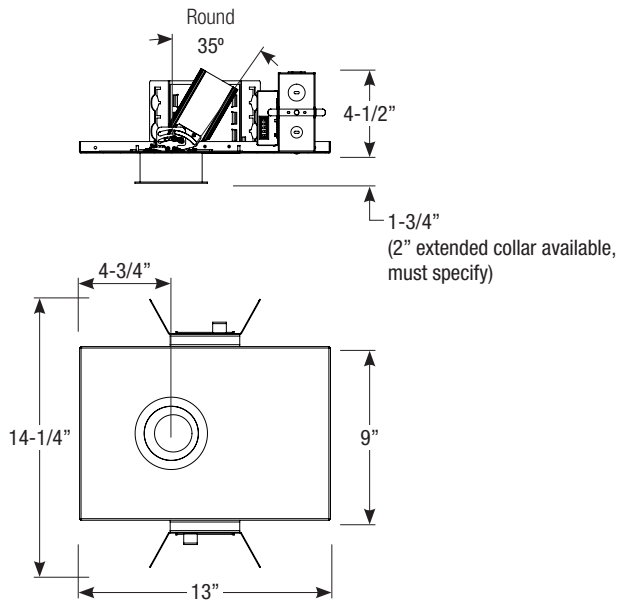
Type:

Project:

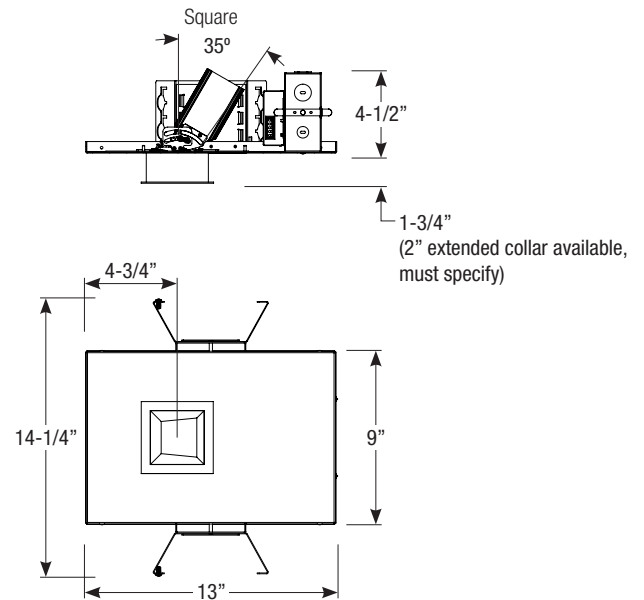
Date:

Notes:

### Housing Dimensions

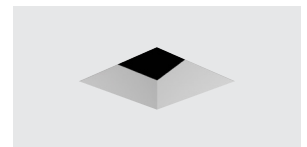
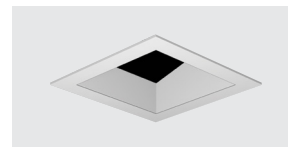
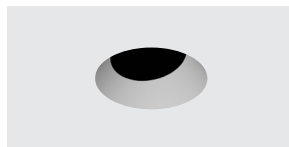
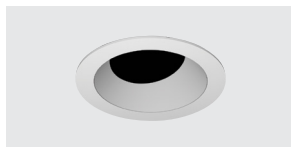
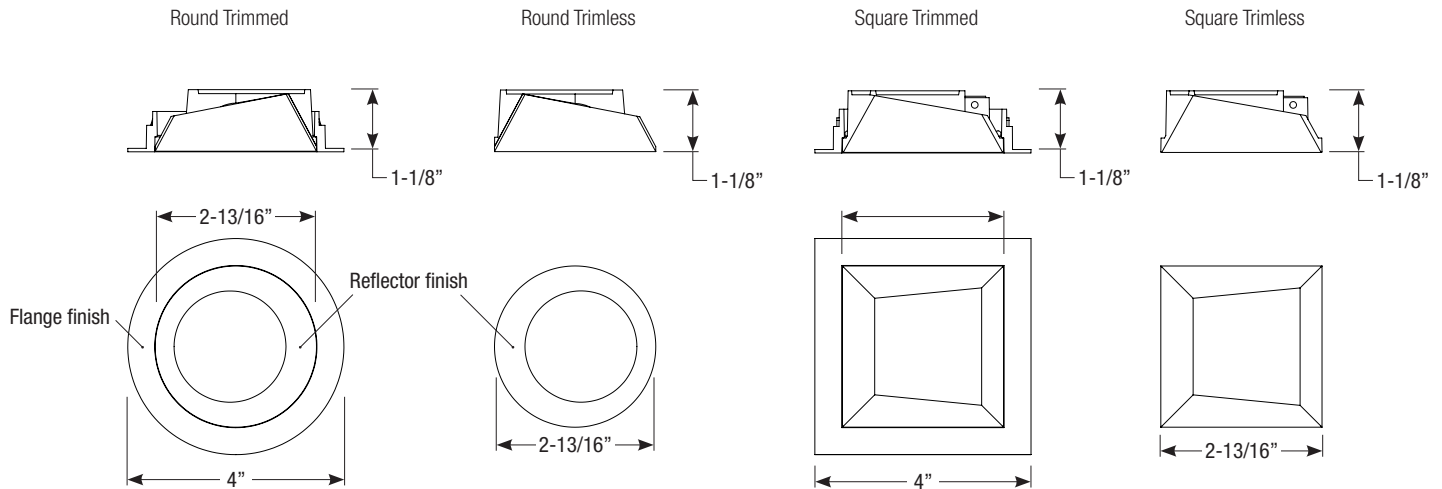


Ceiling Cut-out: 3-3/8" Ø



Ceiling Cut-out: 3-3/8" x 3-3/8"

### Trim Dimensions



Spec-00079 Revised 04/27/2020