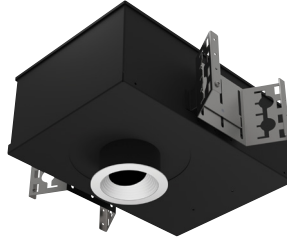


2" acrobat LED Adjustable Baffle

IC/CCEA New Construction Housing

Round or Square / Trimmed or Trimless



Wattage	CCT	Delivered Lumens	Efficacy
10W	3000K	795lm	79lpw
15W	3000K	1184lm	79lpw

Lumens will vary depending on CCT & optic

Description

- Acrobat Air Tight IC/Chicago Plenum adjustable baffle delivers over 1150lm through a 2" aperture with four optical distributions. Adjustable mechanism allows for precise aiming up to 35° tilt and 360° rotation. Delivered lumens are maintained in different ceiling thicknesses.
- No ceiling access required except for certain specified driver configurations

Field Replaceable LED Light Engine

- 10W or 15W LED with 2 SDCM binning
- 2700K, 3000K, 3500K or 4000K at 90 CRI
- Field replaceable optics available in spot, narrow flood, flood or wide flood
- 50,000 hours at 70% lumen maintenance (L70)

Field Replaceable Dimming Driver

- Power factor > 0.9, 50/60Hz
- Multiple dimming drivers available
- Complies with IEEE62.41 surge protection

Adjustability

Locking 360° horizontal rotation and 35° tilt
(Note: 2" ceiling thickness limits mechanism to 25° tilt)

Housing

18 gauge galvanized steel housing and junction box with 1/2" trade size knockouts. Includes universal butterfly brackets to accommodate C-Channel, adjustable bar hangers, and EMT. C-Channel is recommended for T-bar ceilings and must be ordered separately. Adjustable wood joist bar hangers are included. Max. ambient temperature: 104°F (40°C)

Ceiling Thickness

- Accommodates ceiling thickness from 1/2" to 1-1/2" (Extended 2" collar available, must specify)
- Delivered lumens are maintained through entire range

Trim Style

- Die-cast aluminum cut angle baffle trim with frosted lens in powder coat finishes, consult factory for custom finishes
- Trimless mud plate and wood ceiling option available

Emergency

Remote inverter operates for 90 minutes with remote test switch available, requires above ceiling access.

Listing/Warranty

- Patent pending
- Five (5) year limited warranty
- UL listed to US and Canadian standards for wet locations
- Meets ASTM E283 standards
- CCEA approved - Chicago rated



Housing Order Matrix (Example: A2-IC15S-R00-LCB-24)

Type	Wattage	Driver	Aperture	Trim Style	Rev	Extended Collar	Hanger Bar
A2-IC (IC/CP)	10 (10W)	S²⁻³ (ERP, Universal Dim, Triac/ELV/0-10V 10% 120-277V) L1¹ (Lutron Hi-lume® 2-Wire 1% 120V) L2¹ (Lutron EcoSystem® 5% 120-277V) L3¹ (Lutron Hi-lume® Fade-to-Black 1% 120-277V) EL1¹ (eldoLED DALI 1% 120-277V) EL2¹ (eldoLED 0-10V 1% 120-277V) DMX¹ (DMX 1% 120-277V) LR1 (Remote Lutron Hi-lume® 2-Wire 1% 120V) SR1³ (Remote ERP, Universal Dim, Triac/ELV/0-10V 10% 120-277V)	-R (Round)	(blank) (Flanged)	00	(blank) (Standard 1-1/2") -2 (Up to 2")	(blank) (Standard) -LCB-24 (24" C-Channel) -LCB-48 (48" C-Channel)
	15 (15W)		-S (Square)	TL (Trimless) WC (Wood Ceiling)			

1. Above ceiling access requires
2. Accessible from below ceiling
3. Forward and reverse phase dimming at 120V only

Trim Order Matrix (Example: A2-5RWH-WH2730-00)

Trim	Aperture	Baffle Finish	Flange Finish	CCT / CRI	Optic	Rev
A2-5	R (Round) S (Square)	WH (White)	(blank) (Trimless / Wood Ceiling)	27 (2700K / 90 CRI)	10 (Spot)	-00
		BL (Black)	-WH (White)	30 (3000K / 90 CRI)	30 (Narrow Flood)	
		SA (Satin Aluminum)	-BL (Black)	35 (3500K / 90 CRI)	50 (Flood)	
		BZ (Bronze)	-SA (Satin Aluminum) -BZ (Bronze)	40 (4000K / 90 CRI)	80 (Wide Flood)	

Optics

A2-10-OPTIC (10° Spot)
A2-30-OPTIC (30° Narrow Flood)
A2-50-OPTIC (50° Flood)
A2-80-OPTIC (80° Wide Flood)

Emergency

EM-1000 (25W LED Remote Inverter)
EM-1002 (10W LED Remote Emergency Driver)
EM-1003 (35W LED Remote Inverter)
EM-1004 (50W LED Remote Inverter)

2" acrobat LED Adjustable Baffle

IC/CCEA New Construction Housing

Round or Square / Trimmed or Trimless

Catalog #:

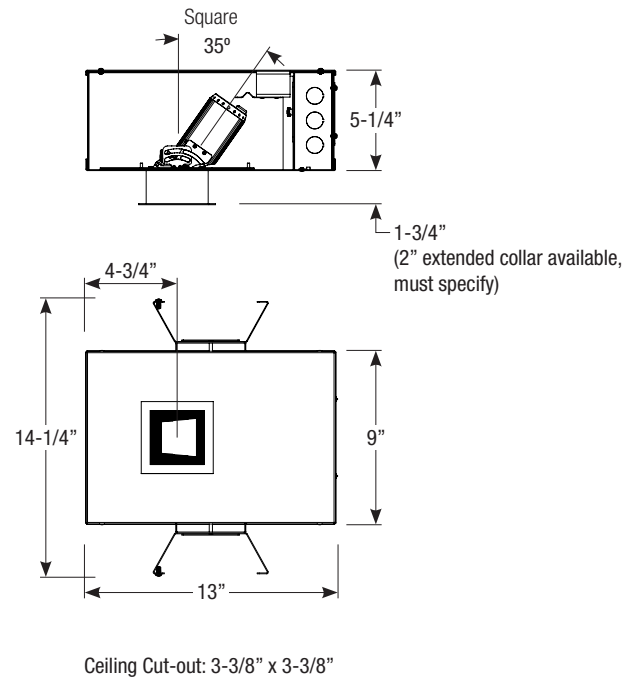
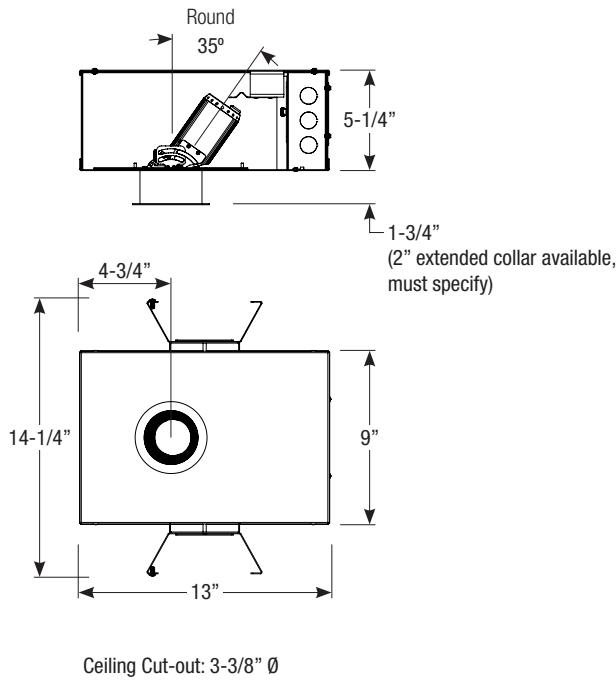
Type:

Project:

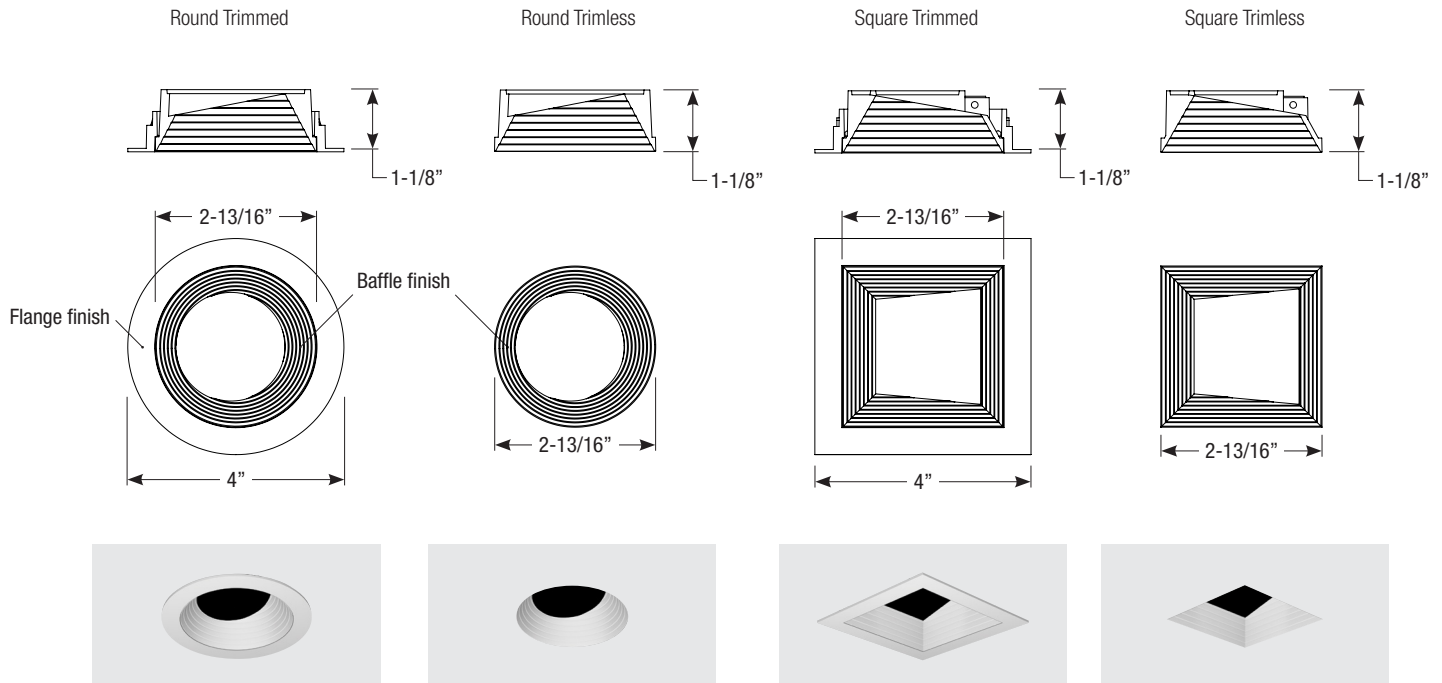
Date:

Notes:

Housing Dimensions



Trim Dimensions



Spec-00066 Revised 04/27/2020