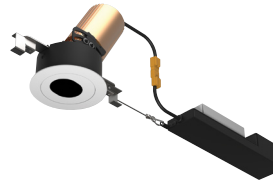


1" acrobat LED Adjustable Slot Pinhole Remodel Housing

Round or Square / Trimmed or Trimless



Wattage	CCT	Delivered Lumens	Efficacy
10W	3000K	781lm	78lpw
15W	3000K	1163lm	78lpw

Lumens will vary depending on CCT, optic & lens option

Description

- Acrobat adjustable downlight delivers over 1150lm through a slotted pinhole with four optical distributions. Adjustable mechanism allows for precise aiming up to 15° tilt and 360° rotation. Delivered lumens are maintained in different ceiling thicknesses.
- No above ceiling access required except for certain specified driver configurations

Field Replaceable LED Light Engine

- 10W LED with 2 SDCM binning
- 2700K, 3000K, 3500K or 4000K at 90 CRI
- Field replaceable optics available in spot, narrow flood, flood or wide flood
- 50,000 hours at 70% lumen maintenance (L70)

Field Replaceable Dimming Driver

- Power factor > 0.9, 50/60Hz
- Multiple dimming drivers available
- Complies with IEEE62.41 surge protection

Adjustability

Locking 360° horizontal rotation and 15° tilt

Housing

18 gauge galvanized steel housing and junction box with 1/2" trade size knockouts. Includes universal butterfly brackets to accommodate C-Channel, adjustable bar hangers, and EMT. C-Channel is recommended for T-bar ceilings and must be ordered separately. Adjustable wood joist bar hangers are included. Max. ambient temperature: 104°F (40°C)

Ceiling Thickness

- Accommodates ceiling thickness from 1/2" to 1-1/4" (Extended 2" collar available, must specify)
- Delivered lumens are maintained through entire range

Trim Style

- Die-cast slotted aluminum pinhole trim with solite lens in powder coat finishes, consult factory for custom finishes
- Trimless mud plate option available

Emergency

Remote inverter operates for 90 minutes with remote test switch available, requires above ceiling access.

Listing/Warranty

- Patent pending
- Five (5) year limited warranty
- UL listed to US and Canadian standards for wet locations
- Meets ASTM E283 standards
- CCEA approved



Housing Order Matrix (Example: A1-RM10S-RWH00)

Installation Type	Wattage	Driver	Aperture	Flange Finish	Rev
A1-RM (Non-IC)	10 (10W) 15 (15W)	S ^{1,2} (ERP, Universal Dim, Triac/ELV/0-10V 10% 120-277V)	-R (Round) -S (Square)	WH (White)	00
		LR1 (Remote Lutron Hi-Lume® 2-Wire 1% 120V)		BL (Black)	
		SR1 ¹ (Remote ERP, Universal Dim, Triac/ELV/0-10V 10% 120-277V)		SA (Satin Aluminum)	
				BZ (Bronze) TL (Trimless)	

1. Forward and reverse phase dimming at 120V only
2. Driver is accessible from below ceiling

Trim Order Matrix (Example: A1-6RWH2730-00)

Trim	Aperture	Pinhole Finish	CCT / CRI	Optic	Rev
A1-6	R (Round) S (Square)	WH (White)	27 (2700K / 90 CRI)	10 (Spot)	-00
		BL (Black)	30 (3000K / 90 CRI)	30 (Narrow Flood)	
		SA (Satin Aluminum)	35 (3500K / 90 CRI)	50 (Flood)	
		BZ (Bronze)	40 (4000K / 90 CRI)	80 (Wide Flood)	

Accessories

ABAT-RGNPLT-RND	(Round Rough-in Plate)
ABAT-RGNPLT-RND10	(Round Rough-in Plate, 10pcs)
ABAT-RGNPLT-RND5	(Round Rough-in Plate, 5pcs)
ABAT-RGNPLT-SQ	(Square Rough-in Plate)
ABAT-RGNPLT-SQ10	(Square Rough-in Plate, 10pcs)
ABAT-RGNPLT-SQ5	(Square Rough-in Plate, 5pcs)

Optics

A1-10-OPTIC	(10° Spot)
A1-30-OPTIC	(30° Narrow Flood)
A1-50-OPTIC	(50° Flood)
A1-80-OPTIC	(80° Wide Flood)

Emergency

EM-1000	(25W LED Remote Inverter)
EM-1002	(10W LED Remote Emergency Driver)
EM-1003	(35W LED Remote Inverter)
EM-1004	(50W LED Remote Inverter)

1" acrobat LED Adjustable Slot Pinhole

Remodel Housing

Round or Square / Trimmed or Trimless

Catalog #:

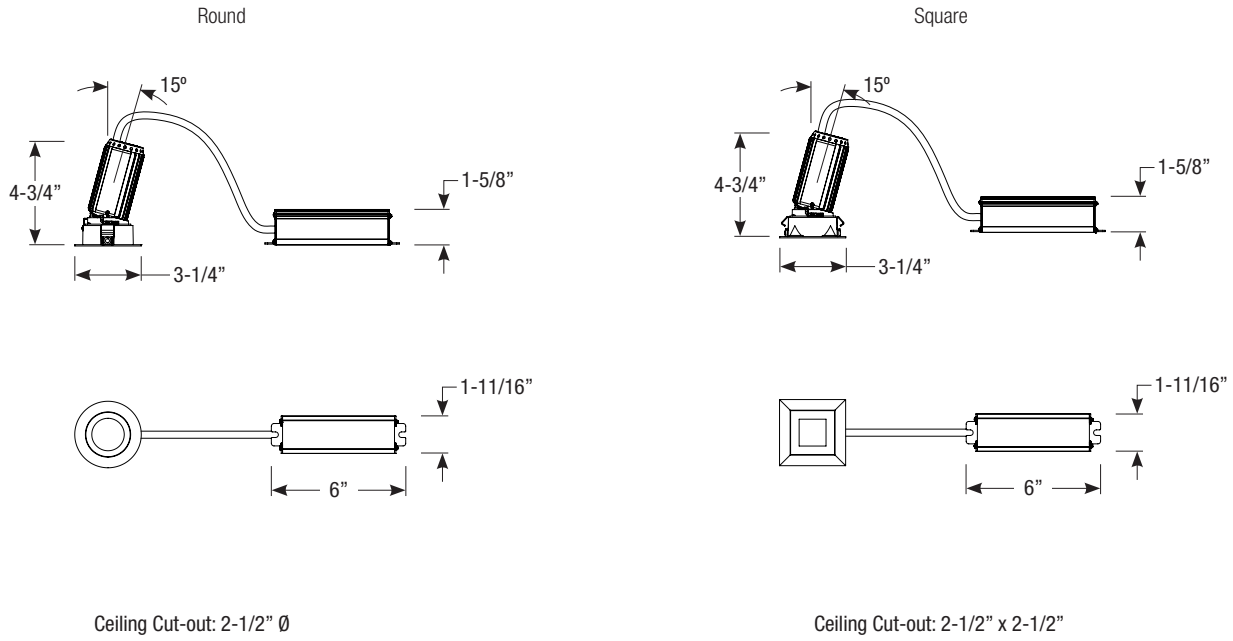
Type:

Project:

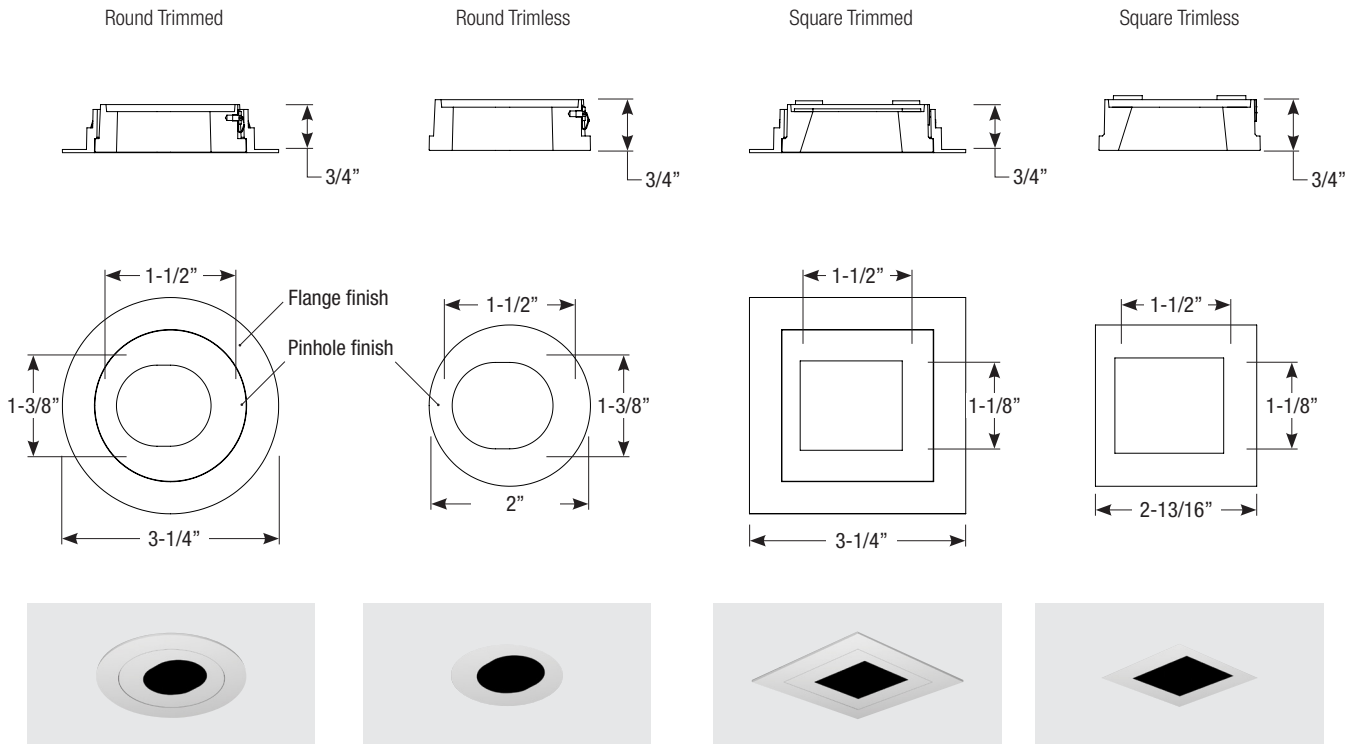
Date:

Notes:

Housing Dimensions



Trim Dimensions



Spec-00058 Revised 06/04/2020