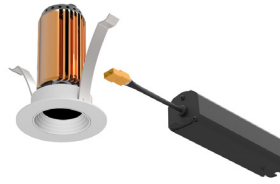


# 1" acrobat LED Baffle Downlight

## Remodel Housing

Round or Square / Trimmed or Trimless



Wattage	CCT	Delivered Lumens	Efficacy
10W	3000K	781lm	78lpw
15W	3000K	1163lm	78lpw

Lumens will vary depending on CCT, optic & lens option

### Description

- Acrobat baffle downlight delivers over 1150lm through a 1" aperture with four optical distributions. Delivered lumens are maintained in different ceiling thicknesses.
- No above ceiling access required except for certain specified driver configurations

### Field Replaceable LED Light Engine

- 10W or 15W LED with 2 SDCM binning
- 2700K, 3000K, 3500K or 4000K at 90 CRI
- Field replaceable optics available in spot, narrow flood, flood or wide flood
- 50,000 hours at 70% lumen maintenance (L70)

### Field Replaceable Dimming Driver

- Power factor > 0.9, 50/60Hz
- Multiple dimming drivers available
- Complies with IEEEC62.41 surge protection

### Housing

Non-IC rated housing must be kept a minimum of 3" from insulation. 18 gauge galvanized steel housing and junction box with (3) 1/2" trade size knockouts. Includes (2) steel compression clips for installation below the ceiling. Max. ambient temperature: 104°F (40°C)

### Ceiling Thickness

- Accommodates ceiling thickness from 1/2" to 2"
- Delivered lumens are maintained through entire range

### Trim Style

- Die-cast aluminum baffle trim with powder coat finishes, consult factory for custom finishes
- Trimless mud plate option available

### Accessories

Accommodates (2) accessories, a media holder is required. Accessories are not compatible when used with lensed trim.

### Emergency

Remote inverter operates for 90 minutes with remote test switch available, requires above ceiling access.

### Listing/Warranty

- Patent pending
- Five (5) year limited warranty
- UL listed to US and Canadian standards for damp locations
- UL listed to US and Canadian standards for wet locations when used with lens



### Housing Order Matrix (Example: A1-RM10S-RWH00)

Installation Type	Wattage	Driver	Aperture	Flange Finish	Rev
A1-RM (Non-IC)	10 (10W)	S <sup>1,2</sup> (ERP, Universal Dim, Triac/ELV/0-10V 10% 120-277V)	-R (Round)	WH (White)	00
	15 (15W)	LR1 (Remote Lutron Hi-Lume® 2-Wire 1% 120V) SR1 <sup>1</sup> (Remote ERP, Universal Dim, Triac/ELV/0-10V 10% 120-277V)	-S (Square)	BL (Black) SA (Satin Aluminum) BZ (Bronze) TL (Trimless)	

1. Forward and reverse phase dimming at 120V only
2. Driver is accessible from below ceiling

### Trim Order Matrix (Example: A1-2RWH2730-NL-00)

Trim	Aperture	Baffle Finish	CCT / CRI	Optic	Lens Type	Rev
A1-2	R (Round) S (Square)	WH (White)	27 (2700K / 90 CRI)	10 (Spot)	-NL (No Lens - damp location)	-00
		BL (Black)	30 (3000K / 90 CRI)	30 (Narrow Flood)	-FR (Frosted - wet location)	
		SA (Satin Aluminum)	35 (3500K / 90 CRI)	50 (Flood)	-MP (Solite - wet location)	
		BZ (Bronze)	40 (4000K / 90 CRI)	80 (Wide Flood)	-CL (Clear - wet location)	

### Accessories (Note: Media holder required)

A2-MHLDR	(Media Holder- required)
A2-HEX	(Hex Louver)
A2-FR	(Frosted Lens)
A2-MP	(Solite Lens)
A2-CL	(Clear Lens)
A2-LS	(Linear Spread Lens)
ABAT-RGNPLT-RND	(Round Rough-in Plate)
ABAT-RGNPLT-RND10	(Round Rough-in Plate, 10pcs)
ABAT-RGNPLT-RND5	(Round Rough-in Plate, 5pcs)
ABAT-RGNPLT-SQ	(Square Rough-in Plate)
ABAT-RGNPLT-SQ10	(Square Rough-in Plate, 10pcs)
ABAT-RGNPLT-SQ5	(Square Rough-in Plate, 5pcs)

### Optics

A1-10-OPTIC	(10° Spot)
A1-30-OPTIC	(30° Narrow Flood)
A1-50-OPTIC	(50° Flood)
A1-80-OPTIC	(80° Wide Flood)

### Emergency

EM-1000	(25W LED Remote Inverter)
EM-1002	(10W LED Remote Emergency Driver)
EM-1003	(35W LED Remote Inverter)
EM-1004	(50W LED Remote Inverter)

# 1" acrobat LED Baffle Downlight

## Remodel Housing

Round or Square / Trimmed or Trimless

Catalog #:

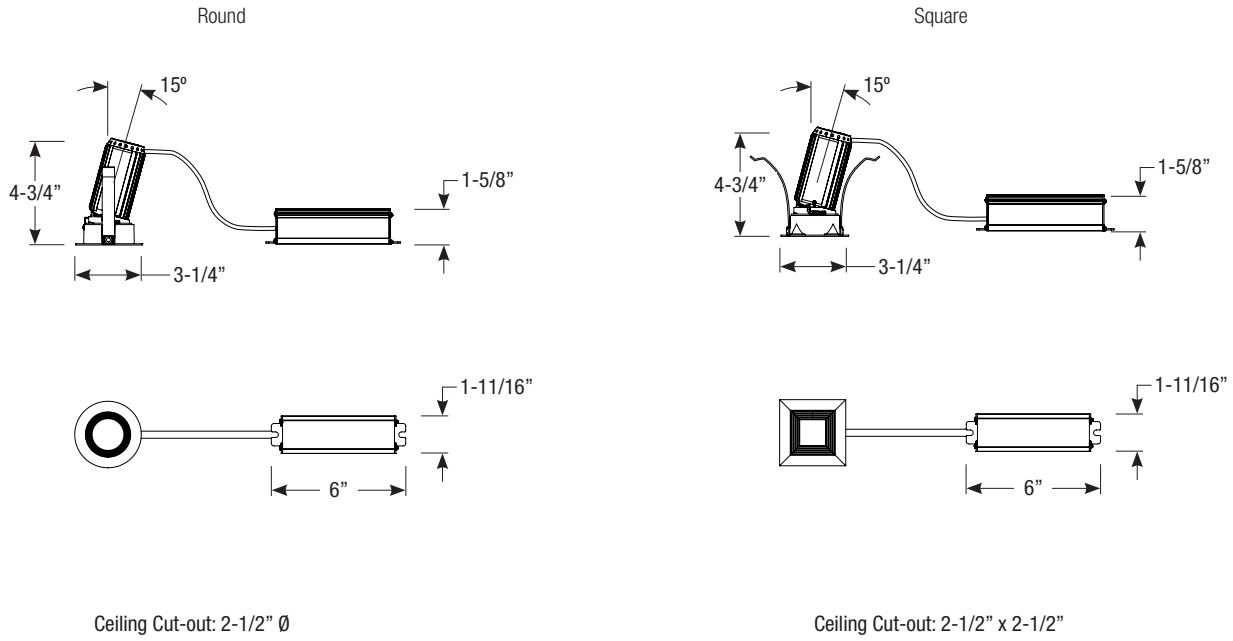
Type:

Project:

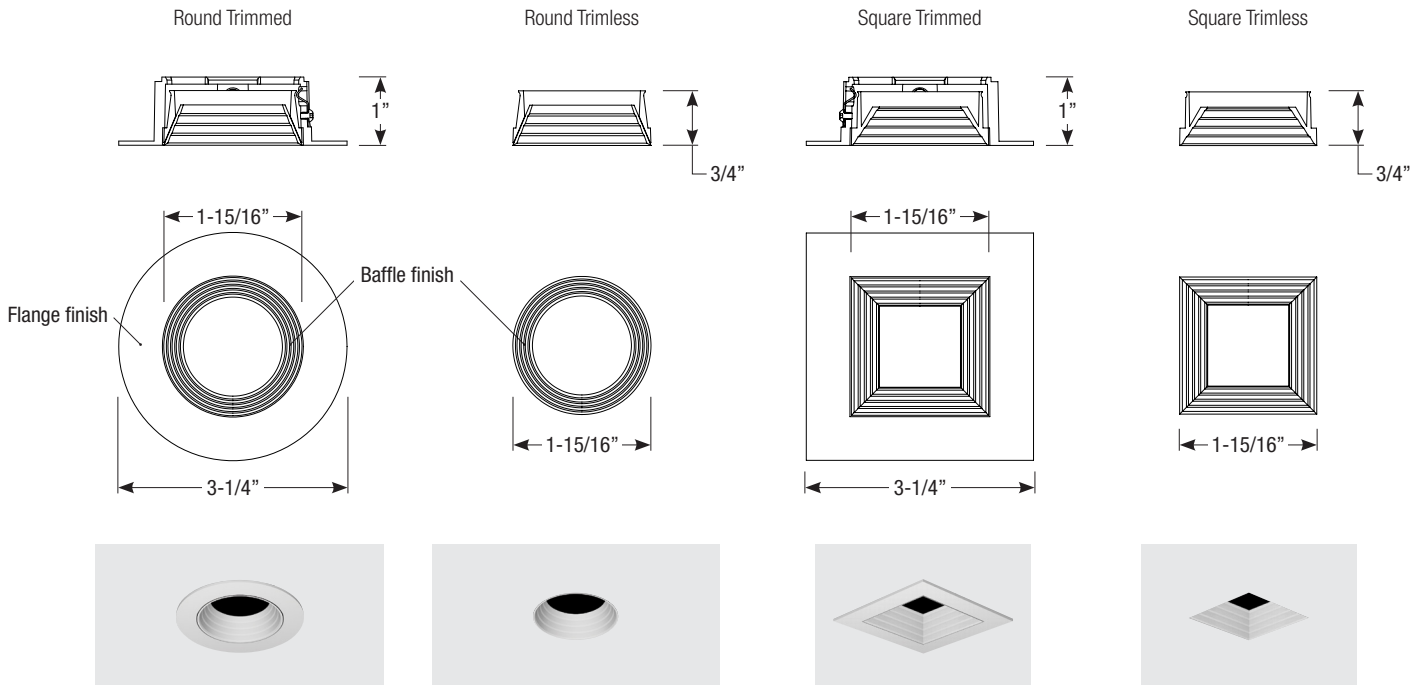
Date:

Notes:

### Housing Dimensions



### Trim Dimensions



Spec-00056 Revised 06/04/2020