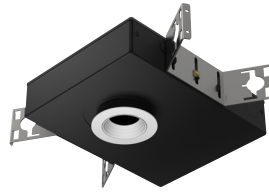


# 1" acrobat LED Baffle Downlight

## Non-IC Shallow New Construction Housing

Round or Square / Trimmed or Trimless



Wattage	CCT	Delivered Lumens	Efficacy
10W	3000K	781lm	78lpw
15W	3000K	1163lm	78lpw

Lumens will vary depending on CCT, optic & lens option

### Description

Acrobat downlight delivers over 1150lm through a 1" aperture with four optical distributions. Delivered lumens are maintained in different ceiling thicknesses.

### Field Replaceable LED Light Engine

- 10W or 15W LED with 2 SDCM binning
- 2700K, 3000K, 3500K or 4000K at 90 CRI
- Field replaceable optics available in spot, narrow flood, flood or wide flood
- 50,000 hours at 70% lumen maintenance (L70)

### Field Replaceable Dimming Driver

- Power factor > 0.9, 50/60Hz
- 120-277V input
- Triac / 0-10V / ELV (120V only) dimming
- Complies with IEEEC62.41 surge protection

### Housing

Non-IC rated housing must be kept a minimum of 3" from insulation. 18 gauge galvanized steel housing and junction box with 1/2" trade size knockouts. Includes universal butterfly brackets to accommodate C-Channel, adjustable bar hangers, and EMT. C-Channel is recommended for T-bar ceilings and must be ordered separately. Adjustable wood joist bar hangers are included. Max. ambient temperature: 104°F (40°C)

### Ceiling Thickness

- Accommodates ceiling thickness from 1/2" to 1-1/4" (Extended 2" collar available, must specify)
- Delivered lumens are maintained through entire range

### Trim Style

- Round spun aluminum trim with anodized finishes, consult factory for custom finishes
- Square die-cast aluminum trim with powder coat finishes, consult factory for custom finishes
- Trimless mud plate and wood ceiling option available

### Accessories

Accommodates (2) accessories, a media holder is required. Accessories are not compatible when used with lensed trim.

### Emergency

Remote inverter operates for 90 minutes with remote test switch available, requires above ceiling access.

### Listing/Warranty

- Patent pending
- Five (5) year limited warranty
- UL listed to US and Canadian standards for damp locations
- UL listed to US and Canadian standards for wet locations when used with lens



### Housing Order Matrix (Example: A1-NCSP152730S-R00)

Installation Type	Wattage	Driver	CCT / CRI	Optic	Aperture	Trim Style	Rev	Extended Collar
<b>A1-NCSP</b> (Non-IC)	<b>10</b> (10W)	<b>S'</b> (ERP, Universal Dim, Triac/ELV/0-10V 10% 120-277V) <b>LR1</b> (Remote Lutron Hi-lume® 2-Wire 1% 120V) <b>SR1</b> (Remote ERP, Universal Dim, Triac/ELV/0-10V 10% 120-277V)	<b>27</b> (2700K / 90 CRI)	<b>10</b> (Spot)	<b>-R</b> (Round) <b>-S</b> (Square)	<b>(blank)</b> (Flanged) <b>TL</b> (Trimless) <b>WC</b> (Wood Ceiling)	<b>00</b>	<b>(blank)</b> (Standard 1-1/4") <b>-2</b> (Up to 2")
	<b>15</b> (15W)		<b>30</b> (3000K / 90 CRI)	<b>30</b> (Narrow Flood)				
			<b>35</b> (3500K / 90 CRI)	<b>50</b> (Flood)				
			<b>40</b> (4000K / 90 CRI)	<b>80</b> (Wide Flood)				

1. Forward and reverse phase dimming at 120V only

### Trim Order Matrix (Example: A1-2RWH-WH-NL-00)

Trim	Aperture	Baffle Finish	Flange Finish	Lens Type	Rev
<b>A1-2</b>	<b>R</b> (Round) <b>S</b> (Square)	<b>WH</b> (White)	(blank) (Trimless)	<b>-NL</b> (No Lens - damp location) <b>-FR</b> (Frosted - wet location) <b>-MP</b> (Solite - wet location) <b>-CL</b> (Clear - wet location)	<b>-00</b>
		<b>BL</b> (Black)	<b>-WH</b> (White)		
		<b>SA</b> (Satin Aluminum)	<b>-BL</b> (Black)		
		<b>BZ</b> (Bronze)	<b>-SA</b> (Satin Aluminum) <b>-BZ</b> (Bronze)		

### Accessories (Note: Media holder required)

- A1-MHLDR** (Media Holder- required)
- A1-HEX** (Hex Louver)
- A1-FR** (Frosted Lens)
- A1-MP** (Solite Lens)
- A1-CL** (Clear Lens)
- A1-LS** (Linear Spread Lens)

### C-Channel Bar Hangers

- LCB-27** (27" C-Channel)
- LCB-52** (52" C-Channel)

### Optics

- A1-10-OPTIC** (10° Spot)
- A1-30-OPTIC** (30° Narrow Flood)
- A1-50-OPTIC** (50° Flood)
- A1-80-OPTIC** (80° Wide Flood)

### Emergency

- EM-1000** (25W LED Remote Inverter)
- EM-1002** (10W LED Remote Emergency Driver)
- EM-1003** (35W LED Remote Inverter)
- EM-1004** (50W LED Remote Inverter)

# 1" acrobat LED Baffle Downlight

## Non-IC Shallow New Construction Housing

Round or Square / Trimmed or Trimless

Catalog #:

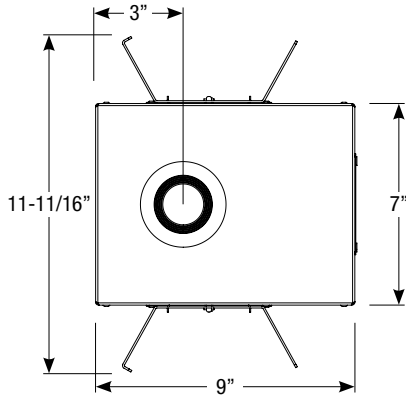
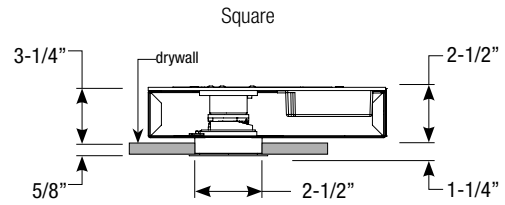
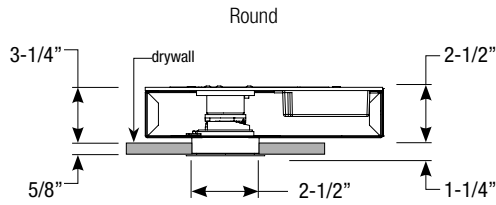
Type:

Project:

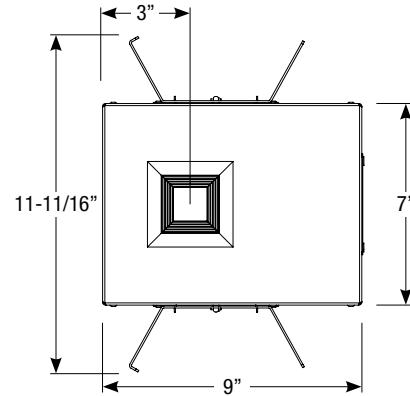
Date:

Notes:

### Housing Dimensions

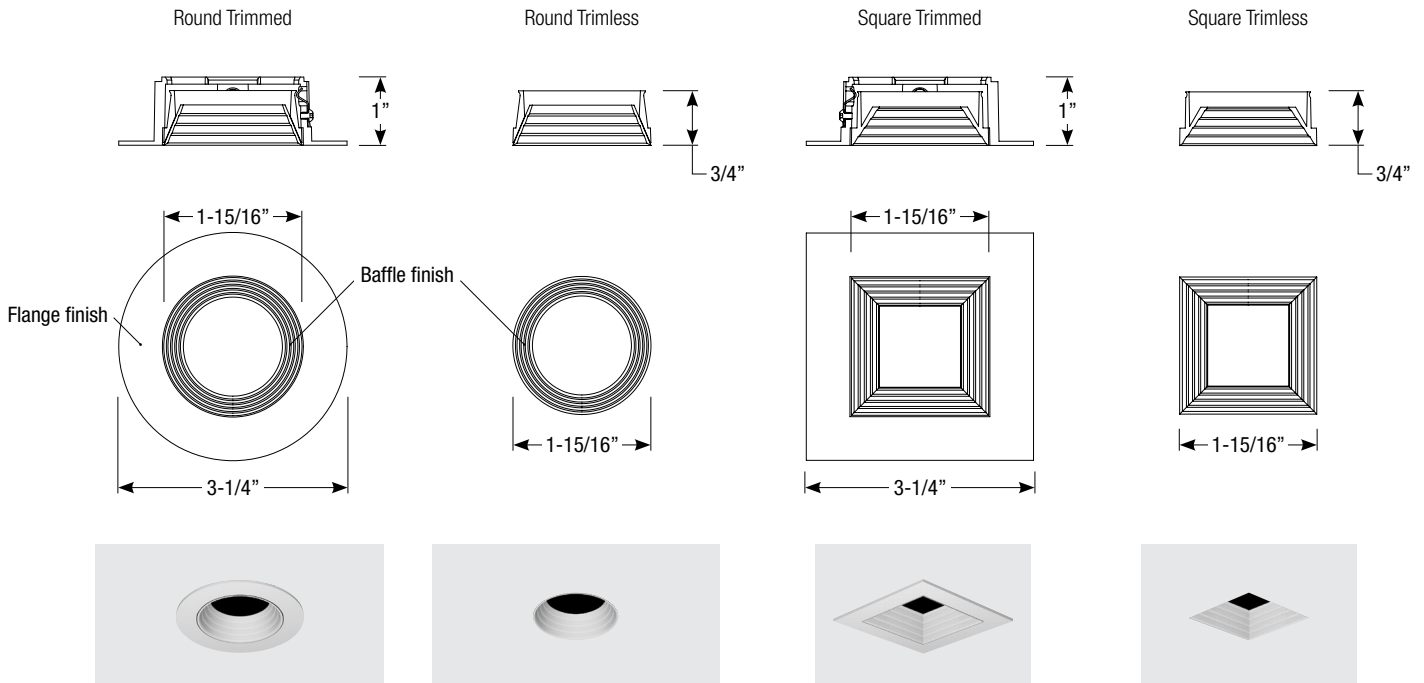


Ceiling Cut-out: 2-5/8" Ø



Ceiling Cut-out: 2-5/8" x 2-5/8"

### Trim Dimensions



Revised 12/14/18