

## GYROSHIFT MULTIPLES - STANDARD & TRIMLESS - INSTALLATION INSTRUCTIONS

**READ AND FOLLOW ALL SAFETY INSTRUCTIONS!  
SAVE THESE INSTRUCTIONS AND DELIVER TO OWNER AFTER INSTALLATION.**

### ⚠ WARNING: RISK OF ELECTRIC SHOCK

- Before installation or servicing **DISCONNECT POWER BY SHUTTING OFF THE CIRCUIT breakers** both to the outlet box and to its associated wall switch.
- Installation and service of luminaires should be performed by a qualified licensed electrician in accordance with all local and National Electrical Codes.
- Do not install damaged product.
- Verify that supply voltage is correct by comparing it with the luminaire label information.
- All wiring connections should be capped with UL approved wire connectors.

### ⚠ WARNING: RISK OF INJURY

- Allow luminaire to cool before servicing.
- Follow all manufacturer's warning and restrictions for driver type, mounting locations, replacement and recycling.
- Wear safety glasses and gloves when installing, maintaining or servicing.
- Avoid direct eye exposure to the light source while it is on.

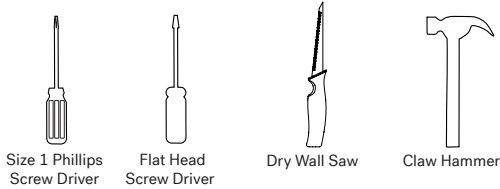
### ⚠ WARNING: RISK OF FIRE

- Do not separate any other wires that may be in the box.
- Do not damage the insulation of existing wiring.
- In regular circumstances the **BLACK** wire will be the "Hot" lead and the **WHITE** wire will be the "Neutral" or "Common" lead. A **GREEN** or **BARE COPPER** wire is the "Ground." In older buildings, it is always good practice to reconfirm the polarity of the wiring.

### ⚠ RISK OF PRODUCT DAMAGE

- Never connect components under load.
- Do not touch the yellow surface of the LED as it may damage the light engine.

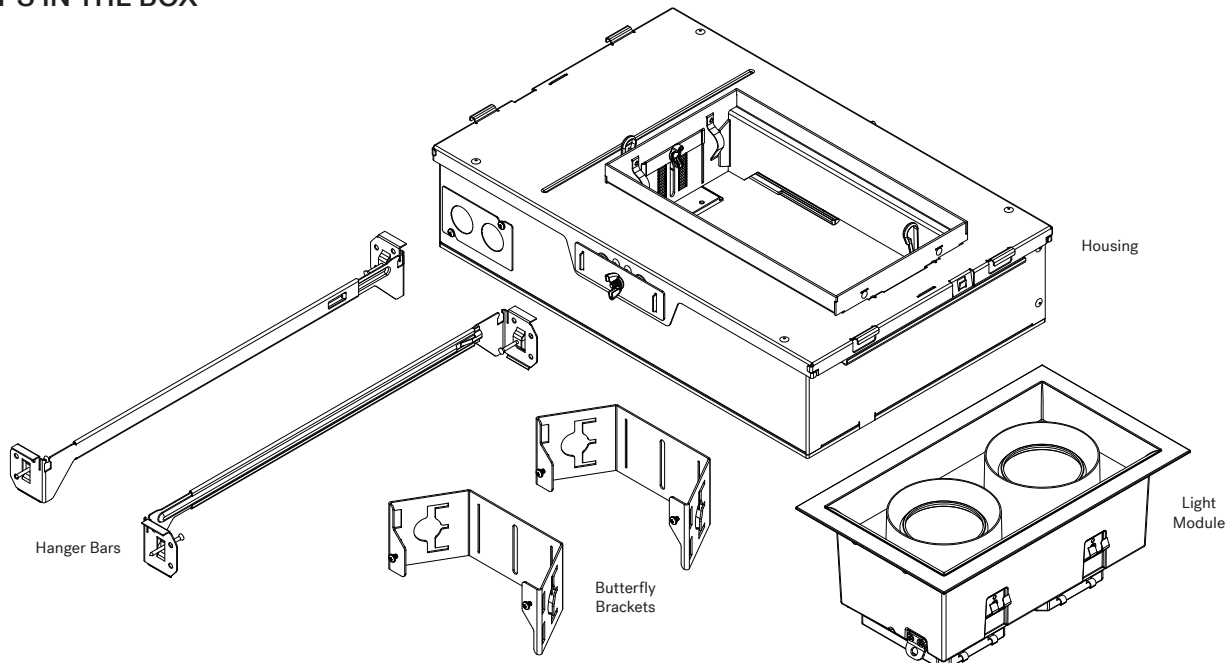
### TOOLS REQUIRED



### ACCESSORIES REQUIRED



### WHAT'S IN THE BOX

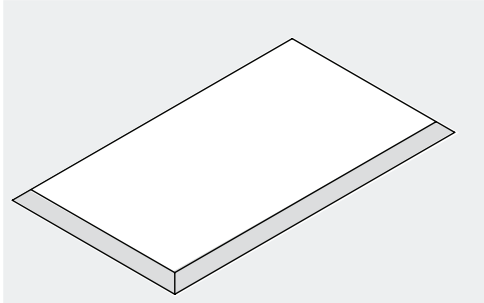


## GYROSHIFT MULTIPLES - STANDARD & TRIMLESS - INSTALLATION INSTRUCTIONS

### PREPARATION

#### Measure Before You Cut

Consult the ceiling cutout table below to determine your application ceiling cutout requirements.



#### FLANGED/TRIMLESS

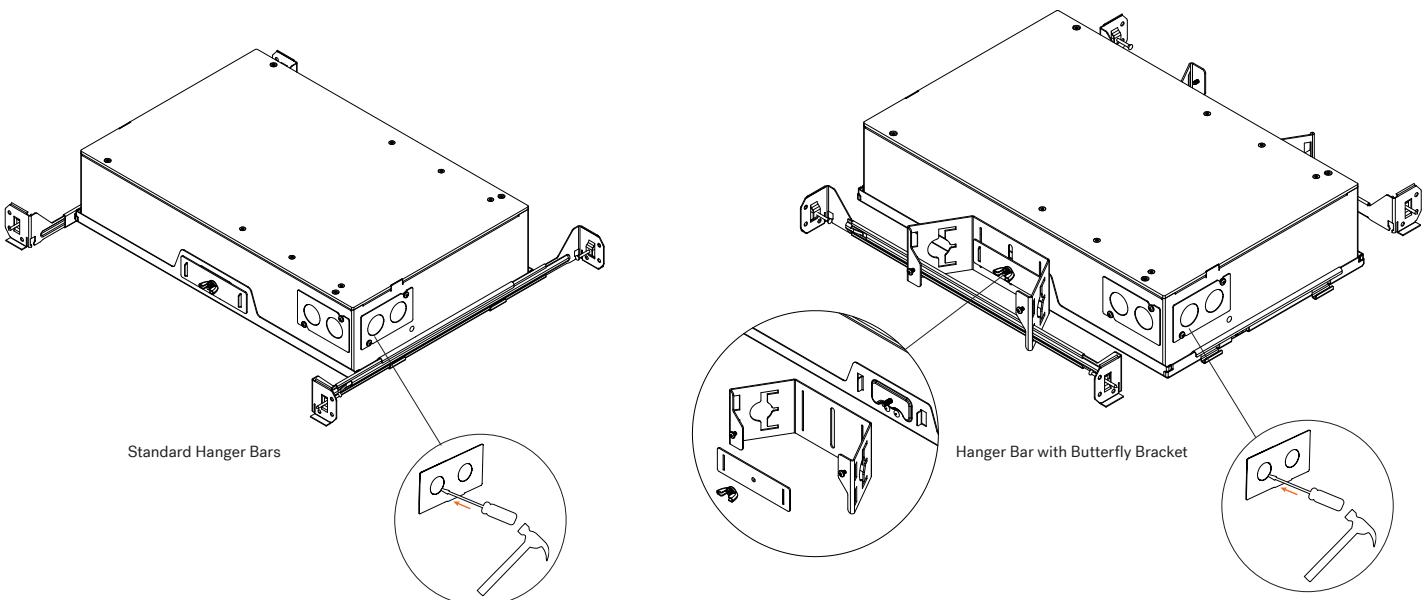
Size	Length IN	Width IN	Length MM	Width MM
S2-1L	4-1/8	4-1/8	105	105
S2-2L	6-7/8	4-1/8	175	105
S2-3L	9-5/8	4-1/8	245	105
S2-4L	12-3/8	4-1/8	315	105
S2-4S	6-7/8	6-7/8	175	175
S3-1L	5-5/16	5-5/16	135	135
S3-2L	9-1/4	5-5/16	235	135
S3-3L	13-3/16	5-5/16	335	135
S3-4L	17-1/8	5-5/16	435	135
S3-4S	9-1/4	9-1/4	235	235

#### Determine Housing Mounting Method

- **Standard hanger bars:** Secure the housing to ceiling joists or suspended ceiling frames (T-bars). Install the hanger bars in the frame slots, oriented as shown.
- **Butterfly Brackets:** Secure the housing using C-channel or conduit. To install the brackets, remove the wingnut and lock plate, mount the brackets on the housing, then re-attach the lock plate and wing nut. Adjust the vertical position of the housing by sliding the bracket up or down. Tighten the wingnut to lock the vertical position.

#### Remove Knock-Out(s)

Remove knock-out(s) where needed with a flat-head screwdriver and hammer.

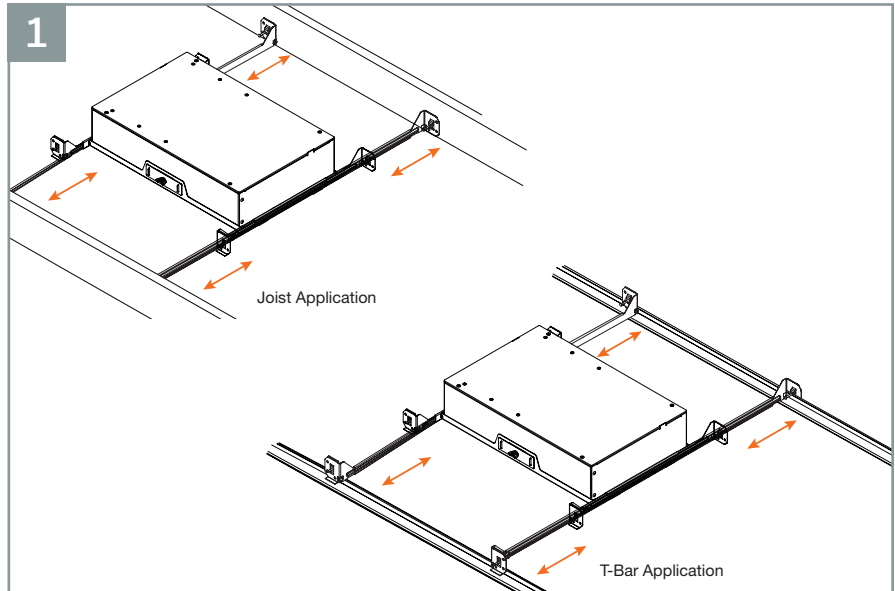


## GYROSHIFT MULTIPLES - STANDARD & TRIMLESS - INSTALLATION INSTRUCTIONS

### INSTALLATION

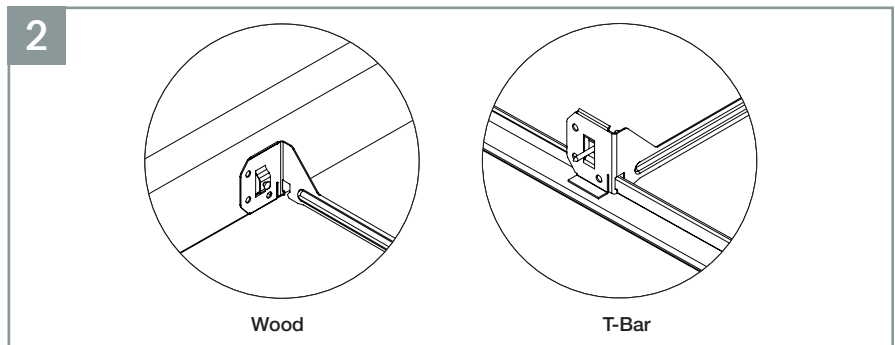
#### STEP 1 - Hanger Bar Adjustment

- Adjust the hanger bars to fit between joists (For suspended ceiling, remove the required tile).



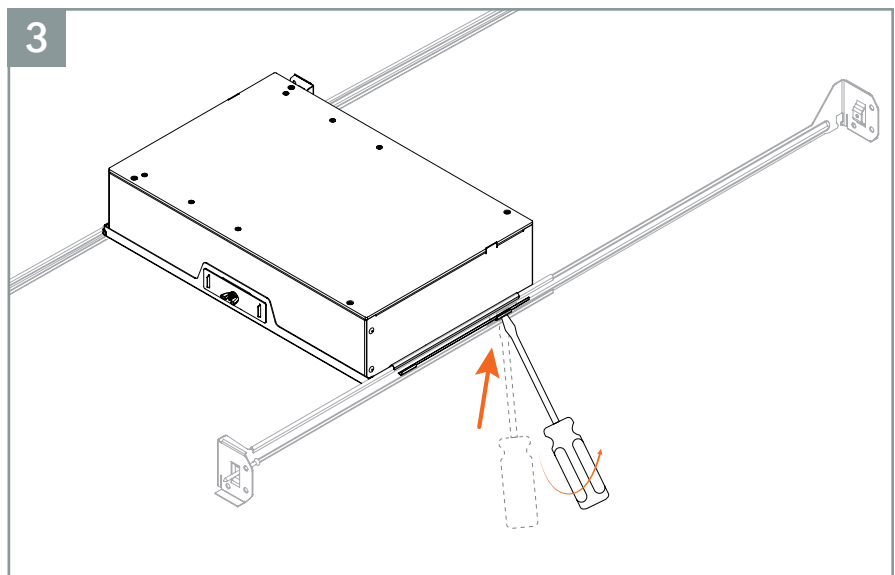
#### STEP 2 - Secure Hanger Bars

- For wood joists, line up the bottom of the hanger bars to the bottom of the joists and nail the ends of the hanger bars to the joists.
- For suspended ceiling (T-Bar), snap the hanger bars in place on the suspended ceiling T-Bar.



#### STEP 3 - Secure System

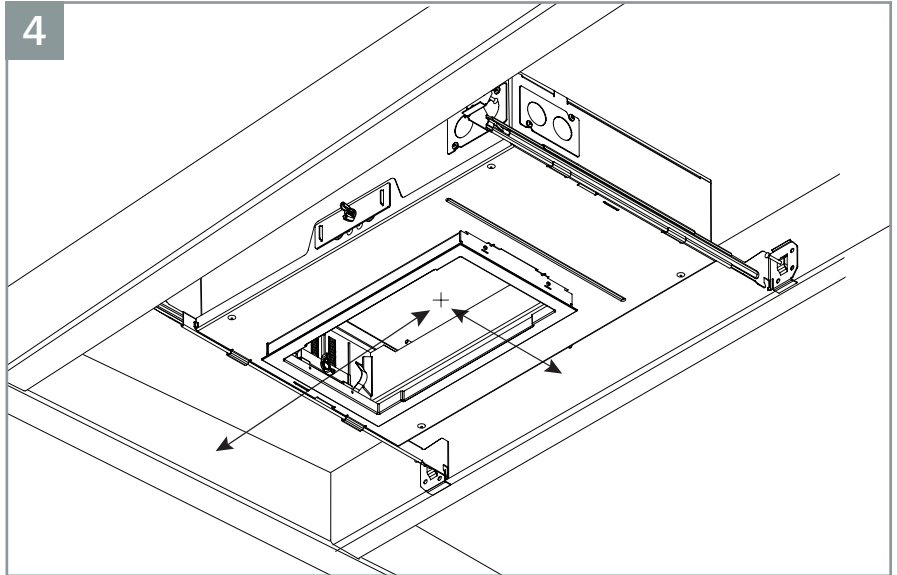
- Slide the housing to the desired position and use a flat head screwdriver to tilt the locking tabs into the hanger bars until system is secure.



## GYROSHIFT MULTIPLES - STANDARD & TRIMLESS - INSTALLATION INSTRUCTIONS

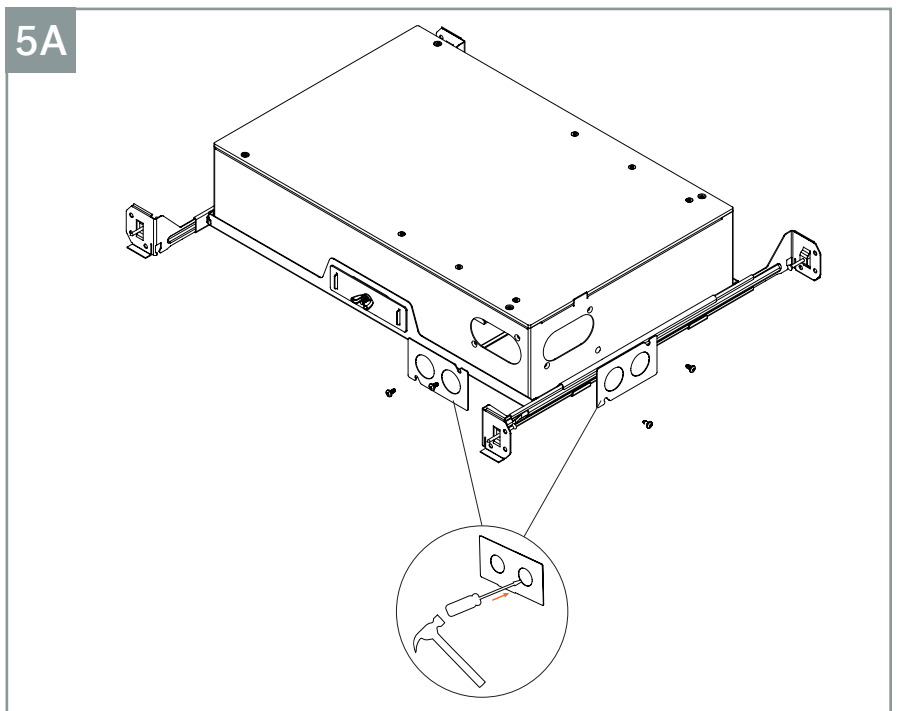
### STEP 4 - Position Measurement

- Measure and mark the location of the pan hole from wood joists/T-Bars.



### STEP 5A - Electrical Connection

- If not already completed, use a flathead screwdriver and hammer to punch out knock-out(s).
- Remove Access panel using a #1 Phillips screwdriver.
- Using a UL listed conduit connector secure connector to the knock-out opening, passing supply wires through connector.

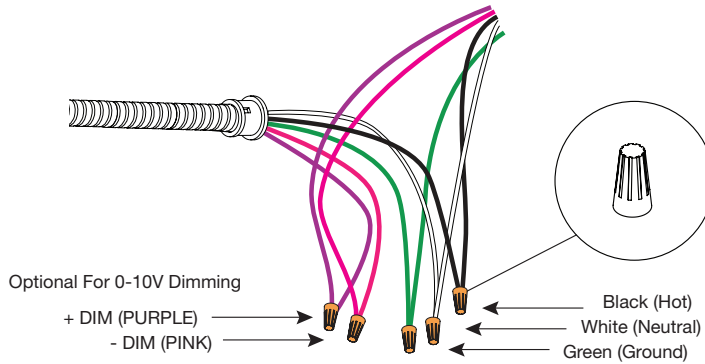


## GYROSHIFT MULTIPLES - STANDARD & TRIMLESS - INSTALLATION INSTRUCTIONS

### STEP 5B – Wiring Diagrams

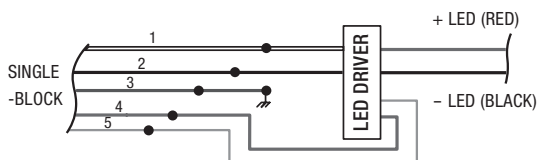
- Connect supply wires using approved wire nuts to the Driver using the wiring diagrams shown.
- Reattach access panel.

5B



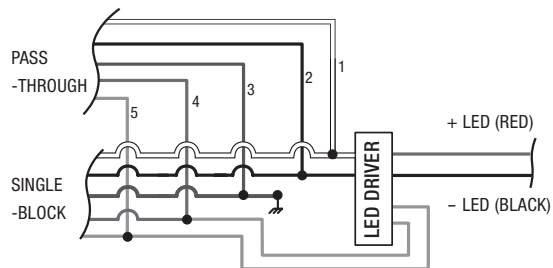
### TRI-DIMMING

#### For Single-Block Connection



- 1/ NEUTRAL (WHITE)
- 2/ LINE (HOT) - (BLACK)
- 3/ GROUND (GREEN)
- 4/ + DIM (PURPLE)
- 5/ - DIM (PINK)

#### For Pass-Through Connection

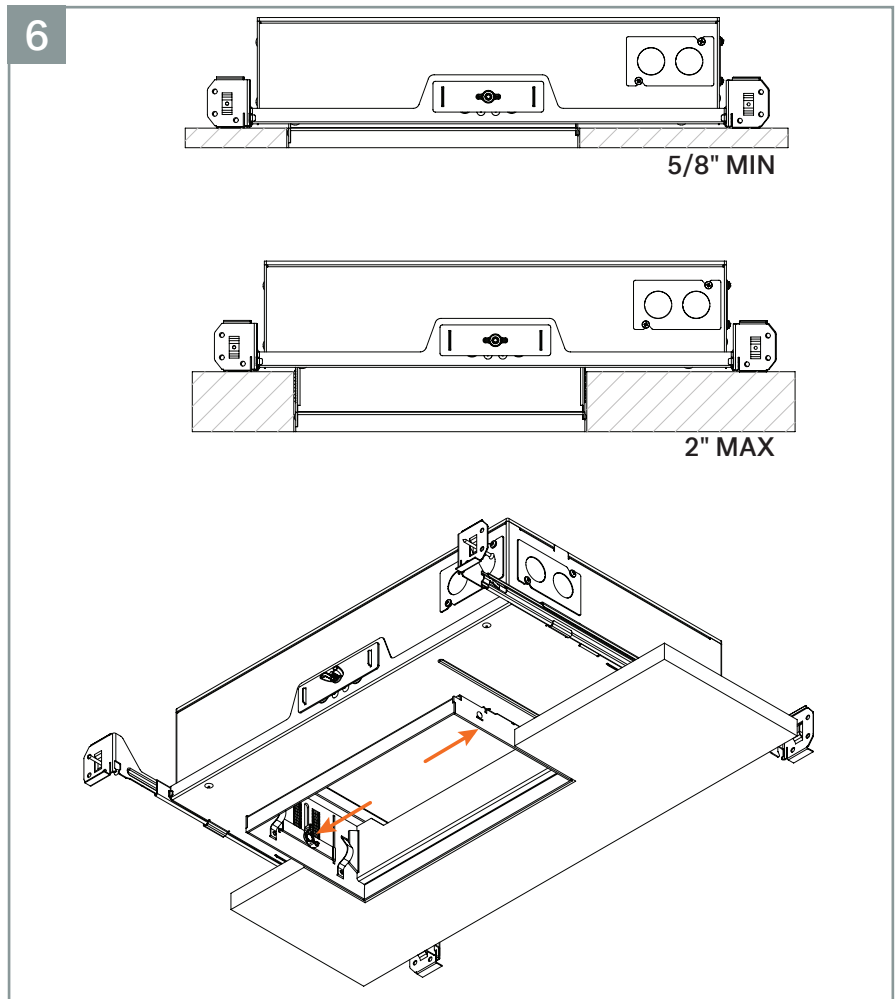


- 1/ NEUTRAL (WHITE)
- 2/ LINE (HOT) - (BLACK)
- 3/ GROUND (GREEN)
- 4/ + DIM (PURPLE)
- 5/ - DIM (PINK)

## GYROSHIFT MULTIPLES - STANDARD & TRIMLESS - INSTALLATION INSTRUCTIONS

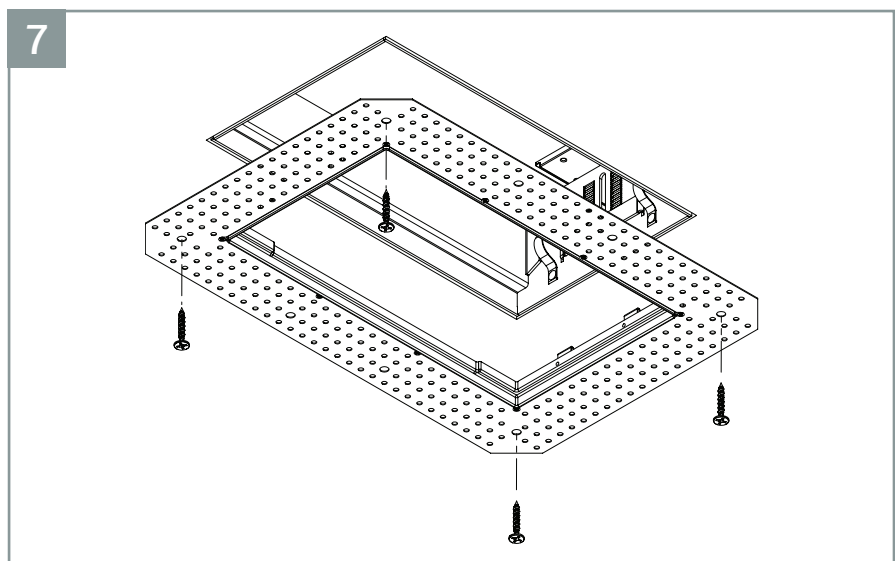
### STEP 6 - Z Adjust

- Loosen two wing nut screws
- Adjust collar to be flush with ceiling
- Tighten two wing nut screws to lock



### STEP 7 - For Trimless

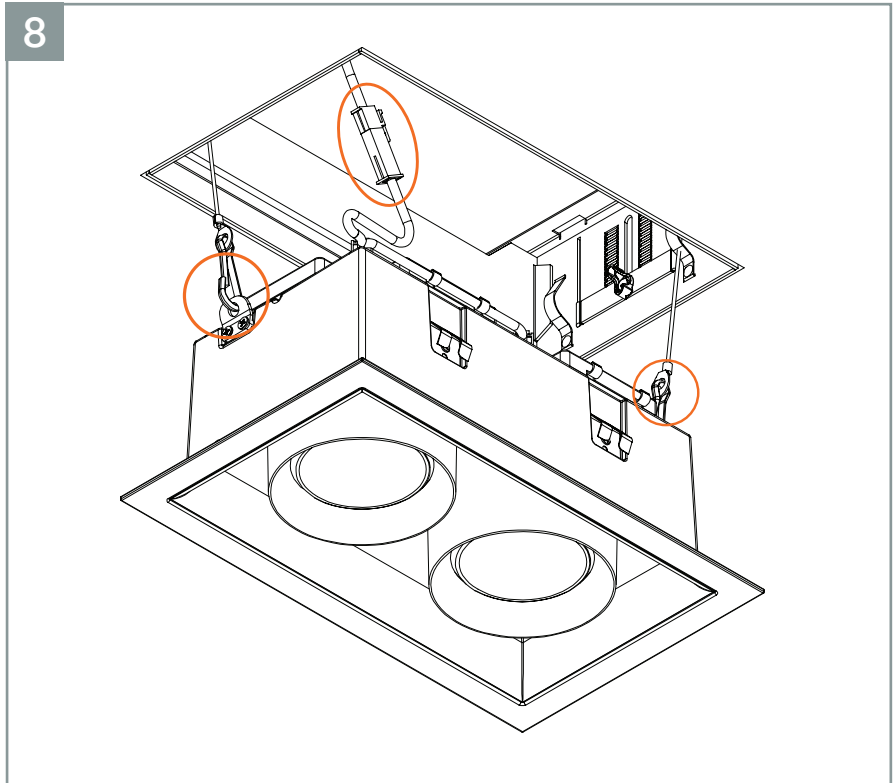
- Ensure to attach the mud guard before mudding (four screws are supplied).
- With joint knife, apply mud to the plate. Ensure no mud goes beyond the center rim.
- With a block sander, smooth out bumps or unevenness. Repeat until ceiling is smooth.
- Paint ceiling.



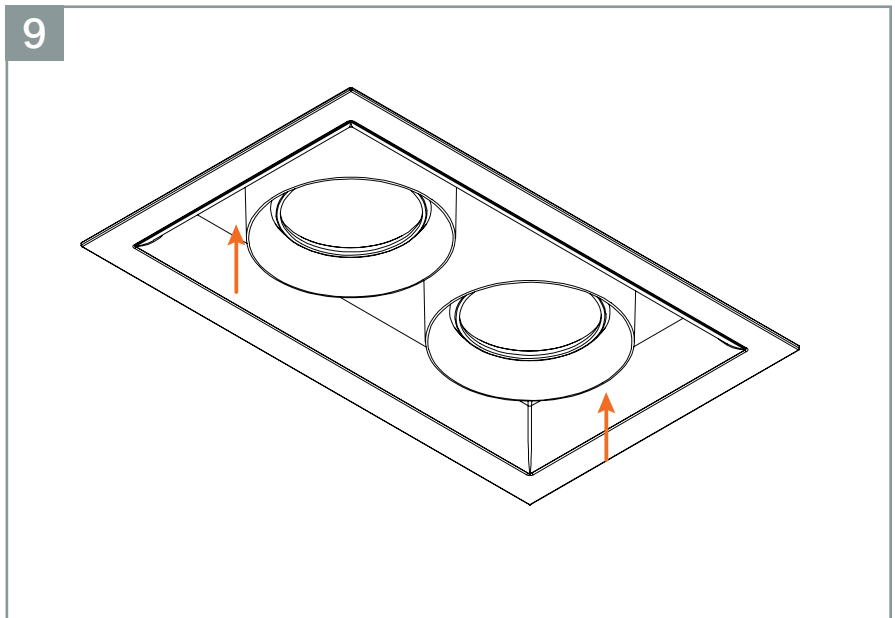
## GYROSHIFT MULTIPLES - STANDARD & TRIMLESS - INSTALLATION INSTRUCTIONS

### STEP 8 – Attach Clips and Power

- Attach Safety Chain(s) with Clips(s) and connect Power Cable.



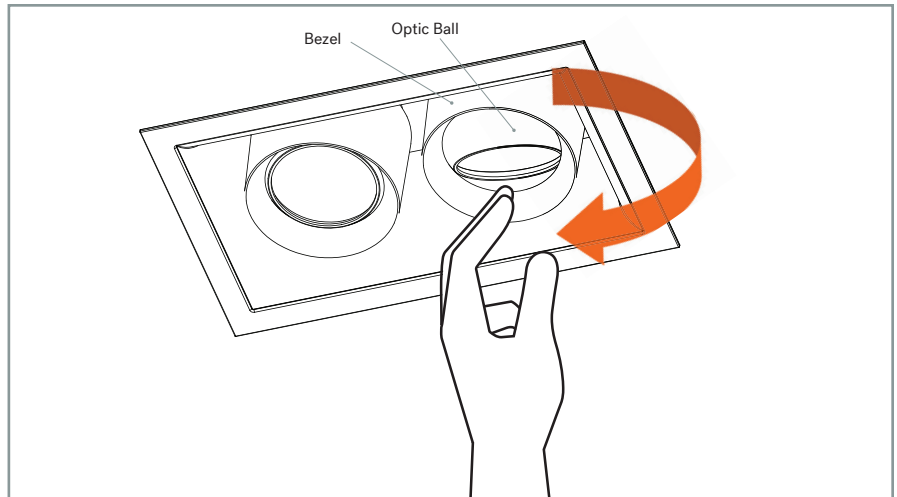
### STEP 9 – Install Light Module



## GYROSHIFT MULTIPLES - STANDARD & TRIMLESS - INSTALLATION INSTRUCTIONS

### Adjust Optic

- Unscrew Bezel
- PUSH on Optic Ball to adjust
- Screw Bezel back in tight



### Media Install

- Unscrew Bezel from Head Base
- Unscrew Optic Lock from Optic Ball
- Install Media in front of Optic
- Install reverse of removal

