

Project: _____

Type: _____

Note: _____

GYROSHIFT MULTIPLES LED DOWNLIGHT



LED LIGHT ENGINE	
RATED WATTAGES	Up to 54.1W for S2, 79.1W for S3
SYSTEM DELIVERED LUMENS	Up to 4257 for S2, 6426 lumens on S3
MODULE DELIVERED LUMENS	Up to 1109 for S2, 1664 for S3
SYSTEM EFFICACY	Up to 86 LPW for S2, Up to 99 LPW for S3
CCT @ 90CRI	2700K, 3000K, 3500K, 4000K, Warm Dim
COLOR QUALITY	Static White 90CRI R9>50, WD 98CRI R9>90
LED LIFETIME	>55,000 hours @ L70
ADJUSTABLE	45° tilt, Infinite Rotation, Tool Free Locking Below Ceiling

OPTICS TECHNOLOGY	
OPTICS	10°, 30°, 50° Field Changeable
MEDIA	Clear, Solite, Frosted, Linear Spread, Hex Louver, Wall Wash

POWER SUPPLY	
INPUT VOLTAGE	120/277V, 50/60Hz
DIMMING	TRIAC, ELV and 0-10VDC and Lutron Homeworks/ Ecosystem options available
SERVICABILITY	All options: Below ceiling access

SYSTEM DELIVERED LUMENS MATRIX					
POWER	S2-1L	S2-2L	S2-3L	S2-4L	S2-4S
10W	831	1587	2149	3179	3179
15W	1052	2010	3017	4039	4039
POWER	S3-1L	S3-2L	S3-3L	S3-4L	S3-4S
10W	980	2073	2437	3759	3759
15W	1282	2267	3521	5049	5049
20W	1590	2773	4406	6140	N/A

CCT MULTIPLIER CHART					
SIZE	2700K (90CRI)	3000K (90CRI)	3500K (90CRI)	4000K (90CRI)	Warm Dim (98CRI)
S2	0.94	0.97	1.00	1.03	0.72
S3	0.94	0.98	1.00	1.05	0.72

FEATURES

- 2" or 3" aperture downlight maximizes adjustability and beauty at the ceiling.
- Delivers up to 6140 lumens of general or accent light using optical control at 10°, 30° or 50°.
- 55,000 hr L70 LED lifetime and available integral or remote driver options.
- Integral driver is removeable from below ceiling.
- Individual head control options available with DMX configuration.

OPTIC MULTIPLIER CHART			
SIZE	10° OPTIC	30° OPTIC	50° OPTIC
S2	N/A	1.00	1.02
S3	0.99	1.00	0.99

HOUSING OPTIONS

- 1 Head Linear
- 2 Head Linear
- 3 Head Linear
- 4 Head Linear
- 4 Head Square

HOUSING

- Includes (2) galvanized steel adjustable hanger bars and butterfly brackets.
- Ceiling Material: Drywall, T-bar grid, Wood and Millwork
- Steel junction box with four ½" knockouts
- All options are Air Tight and CCEA (Chicago Plenum)
- 3½" minimum plenum height above the ceiling required

TRIM OPTIONS

- Round Apertures
- Standard, Trimless, Wood Ceiling

LISTING/WARRANTY

- cULus Listed
- UL Listed for Damp Location (All Styles)
- ASTM E283 Certified Airtight
- IC Rated
- CA Title 24-JA8 Compliant
- Five (5) year limited warranty
- CCEA (Chicago Plenum) Approved

TRIM COLORS

- White
- Black
- Champagne
- Custom Color

TRIM INTERIOR COLORS

- White
- Black
- Champagne
- Satin Aluminum
- Custom Color



Project: _____

Type: _____

Note: _____

GYROSHIFT MULTIPLES LED DOWNLIGHT

ORDER MATRIX

GYROSHIFT MULTIPLES TRIM

(Example: S3-2L-ST-BKBK-4090-10NLNL = 3" Light Module, 2 Linear, Standard Trim, Black Trim, Black Module, 4000K CCT, 90 CRI, 10° Optic, No Lens)

FAMILY APERTURE	TRIM SIZE	TRIM STYLE	TRIM FINISH	INTERIOR FINISH
<input type="checkbox"/> S2- 2" Light Module	<input type="checkbox"/> 1L- 1 Linear	<input type="checkbox"/> ST- Standard	<input type="checkbox"/> TL Trimless/Wood Ceiling	<input type="checkbox"/> WT- White
<input type="checkbox"/> S3- 3" Light Module	<input type="checkbox"/> 2L- 2 Linear	<input type="checkbox"/> TL- Trimless	<input type="checkbox"/> WT White	<input type="checkbox"/> BK- Black
	<input type="checkbox"/> 3L- 3 Linear	<input type="checkbox"/> WC- Trimless/Wood Ceiling	<input type="checkbox"/> BK Black	<input type="checkbox"/> CN- Champagne
	<input type="checkbox"/> 4L- 4 Linear		<input type="checkbox"/> CN Champagne	<input type="checkbox"/> SA- Satin Aluminum
	<input type="checkbox"/> 4S- 4 Square		<input type="checkbox"/> CC¹ Custom Color	<input type="checkbox"/> CC¹ Custom Color

1. For Custom Color, contact CSL for details.

CCT & CRI	OPTIC	MEDIA 1	MEDIA 2
<input type="checkbox"/> 2790 2700K 90CRI	<input type="checkbox"/> 10 10° Spot	<input type="checkbox"/> NL No Lens	<input type="checkbox"/> NL No Lens
<input type="checkbox"/> 3090 3000K 90CRI	<input type="checkbox"/> 30 30° Narrow Flood	<input type="checkbox"/> CL Clear Lens	<input type="checkbox"/> CL Clear Lens
<input type="checkbox"/> 3590 3500K 90CRI	<input type="checkbox"/> 50² 50° Wide Flood	<input type="checkbox"/> FR Frosted	<input type="checkbox"/> FR Frosted
<input type="checkbox"/> 4090 4000K 90CRI		<input type="checkbox"/> MP Solite	<input type="checkbox"/> MP Solite
<input type="checkbox"/> WD98¹ Warm Dim 98CRI 1800K-3000K		<input type="checkbox"/> LS Linear Spread	<input type="checkbox"/> LS Linear Spread
		<input type="checkbox"/> HEX* Hex Cell	
		<input type="checkbox"/> WW* Wall Wash	
		Note: HEX, WW cannot be used with second Media	

1. 2" Light Module with WD98 (Warm Dim) and 10° optic requires MEDIA 1 - MP (Solite Lens).

2. Wall Wash is only compatible with 50° optic.

Project: _____

Type: _____

Note: _____

GYROSHIFT MULTIPLES LED DOWNLIGHT

GYROSHIFT MULTIPLES HOUSING

(Example: S2F-4L-ST-10S-SHB = 2" Light Housing, Standard Trim, 4 Linear, 10W per Head, Standard Driver, Standard Hanger Bars)

FAMILY APERTURE	HOUSING SIZE	TRIM STYLE	WATTAGE	DRIVER	HANGER BAR
<input type="checkbox"/> S2F- 2" Light Module	<input type="checkbox"/> 1L- 1 Linear	<input type="checkbox"/> ST- Standard	<input type="checkbox"/> 10 10W per Head	<input type="checkbox"/> S Universal Dim Driver: 1%-100% 0-10V, TRIAC, ELV, 120V/277V	<input type="checkbox"/> -SHB Standard
<input type="checkbox"/> S3F- 3" Light Module	<input type="checkbox"/> 2L- 2 Linear	<input type="checkbox"/> TL- Trimless	<input type="checkbox"/> 15 15W per Head	<input type="checkbox"/> L3¹ Lutron Hi-Lume® Dim Driver: 1%-100% EcoSystem, 120V/277V	<input type="checkbox"/> -C24 24" C-Channel
	<input type="checkbox"/> 3L- 3 Linear	<input type="checkbox"/> WC- Wood Ceiling	<input type="checkbox"/> 20* 20W per Head	<input type="checkbox"/> EL1¹ EldoLED DALI Dim: 1%-100% DALI, 120V/277V	<input type="checkbox"/> -C48 48" C-Channel
	<input type="checkbox"/> 4L- 4 Linear			<input type="checkbox"/> EL2¹ EldoLED Dim: 1%-100% 0-10V, 120V/277V	
	<input type="checkbox"/> 4S- 4 Square			<input type="checkbox"/> DMX¹ DMX Dim: 1%-100% DMX, 120V/277V All DMX Multiple Head options allow independent addressability per head	

Note: 20W available for S3F-1L/2L/3L/4L only

1. L3, EL1, EL2 and DMX Options limited to 10W.
2. TRIAC, ELV dimming for 120V only.

EMERGENCY OPTIONS		
<input type="checkbox"/> EM-1000 (25W Remote Inverter)	<input type="checkbox"/> EM-1003-CA (35W Remote Inverter) Title 20	<input type="checkbox"/> EM-1006 (25W Remote Inverter) Title 20
<input type="checkbox"/> EM-1002 (10W Remote Emergency Driver) Title 20	<input type="checkbox"/> EM-1004 (50W Remote Inverter)	

2" Accessories:

3" Accessories:

MEDIA	OPTICS	MEDIA	OPTICS
<input type="checkbox"/> S2-LENS-CL-0 Clear Lens	<input type="checkbox"/> S2-10-OPTIC-0 10° Spot	<input type="checkbox"/> S3-LENS-CL-0 Clear Lens	<input type="checkbox"/> S3-10-OPTIC-0 10° Spot
<input type="checkbox"/> S2-LENS-FR-0 Frosted Lens	<input type="checkbox"/> S2-30-OPTIC-0 30° Narrow Flood	<input type="checkbox"/> S3-LENS-FR-0 Frosted Lens	<input type="checkbox"/> S3-30-OPTIC-0 30° Narrow Flood
<input type="checkbox"/> S2-LENS-MP-0 Solite Lens	<input type="checkbox"/> S2-50-OPTIC-0 50° Flood	<input type="checkbox"/> S3-LENS-MP-0 Solite Lens	<input type="checkbox"/> S3-50-OPTIC-0 50° Flood
<input type="checkbox"/> S2-LENS-LS-0 Linear Spread		<input type="checkbox"/> S3-LENS-LS-0 Linear Spread	
<input type="checkbox"/> S2-LENS-HEX-0* Hex Louver		<input type="checkbox"/> S3-LENS-HEX-0* Hex Louver	
<input type="checkbox"/> S2-LENS-WW-0* Wall Wash		<input type="checkbox"/> S3-LENS-WW-0* Wall Wash	
<small>Note: HEX, WW cannot be used with second Media.</small>		<small>Note: HEX, WW cannot be used with second Media.</small>	
<small>Additional optics & optical media not needed when selected in trim.</small>		<small>Additional optics & optical media not needed when selected in trim.</small>	

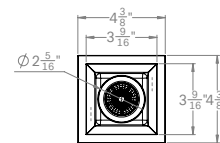
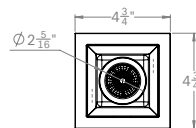
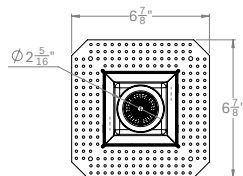
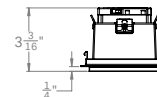
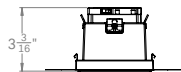
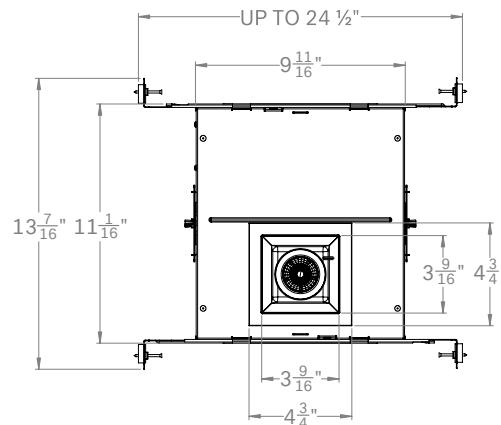
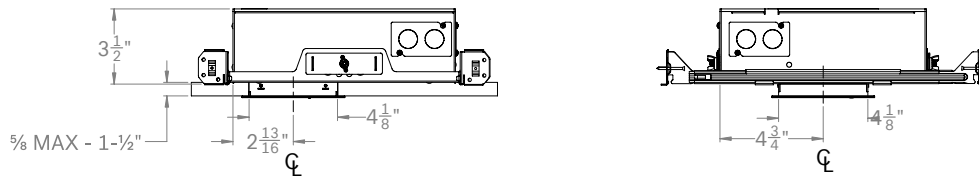
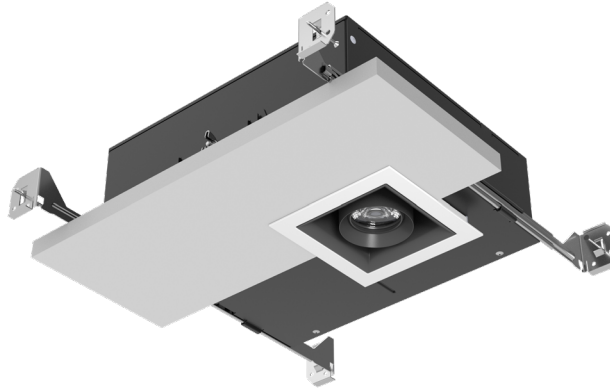
Project: _____
 Type: _____
 Note: _____

GYROSHIFT MULTIPLES LED DOWNLIGHT

HOUSING AND LIGHT ENGINE LINE DRAWINGS

S2-1L

New Construction IC Housing (1 Head)



S2-1L-TL

S2-1L-ST

S2-1L-WC

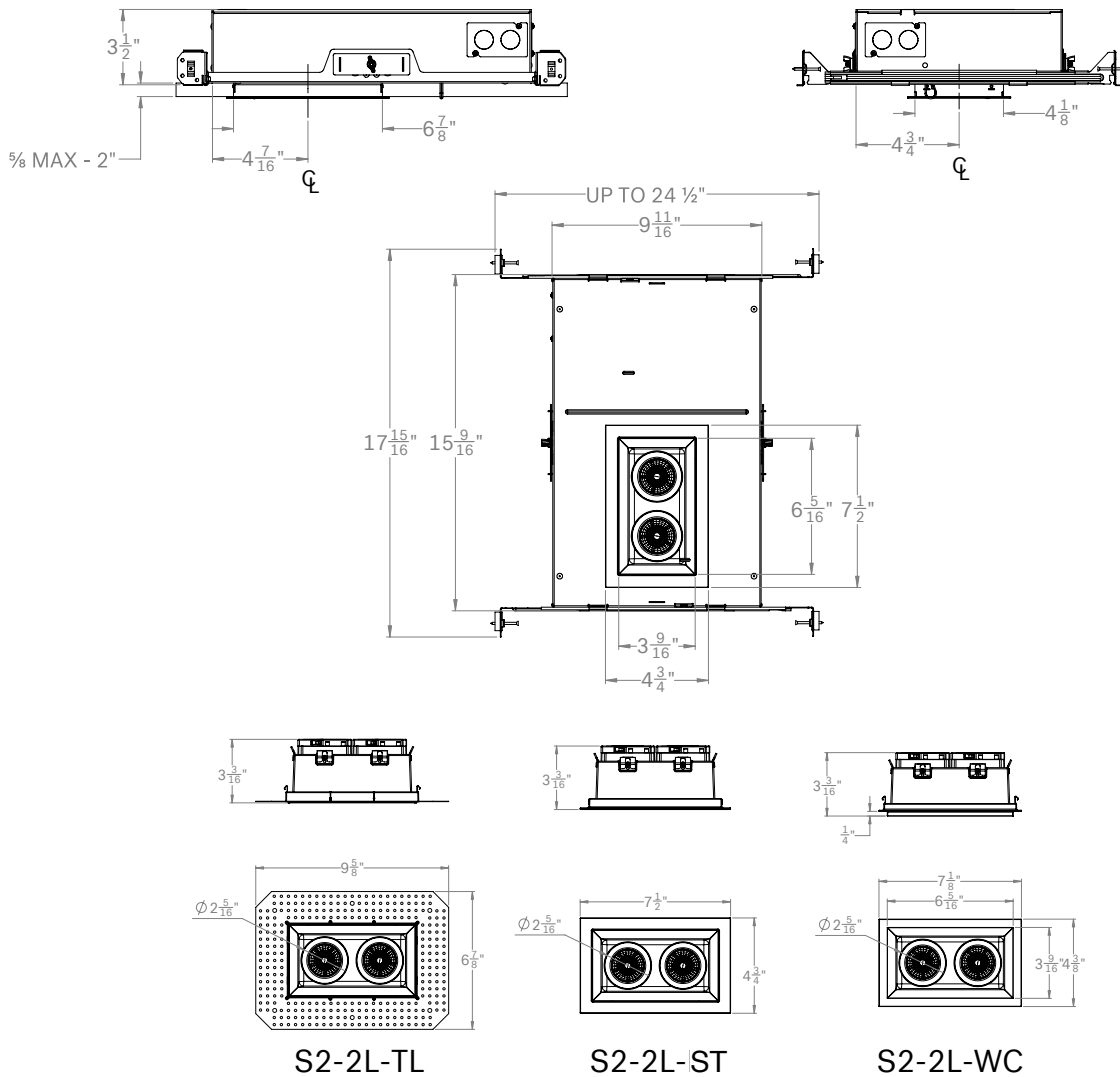
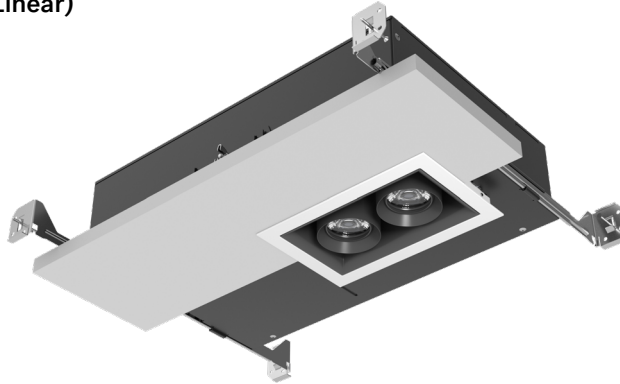
Project: _____
 Type: _____
 Note: _____

GYROSHIFT MULTIPLES LED DOWNLIGHT

HOUSING AND LIGHT ENGINE LINE DRAWINGS

S2-2L

New Construction IC Housing (2 Head Linear)



S2-2L-TL

S2-2L-ST

S2-2L-WC

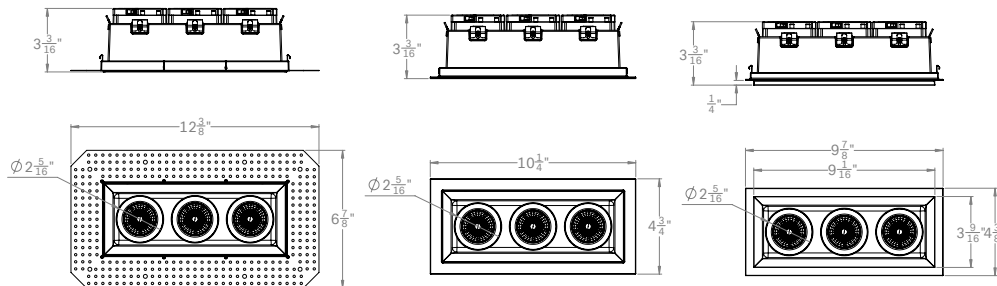
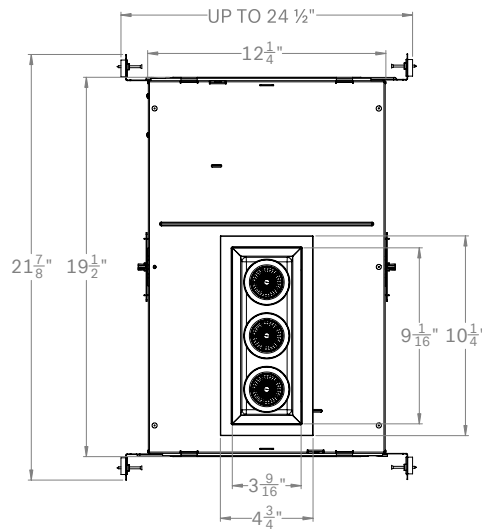
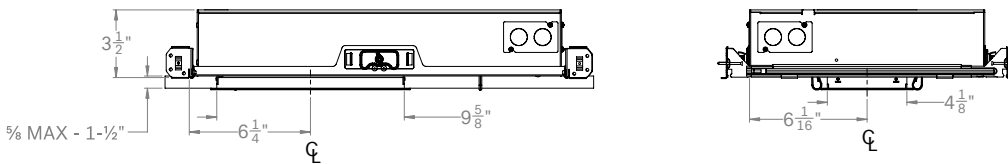
Project: _____
 Type: _____
 Note: _____

GYROSHIFT MULTIPLES LED DOWNLIGHT

HOUSING AND LIGHT ENGINE LINE DRAWINGS

S2-3L

New Construction IC Housing (3 Head Linear)



S2-3L-TL

S2-3L-ST

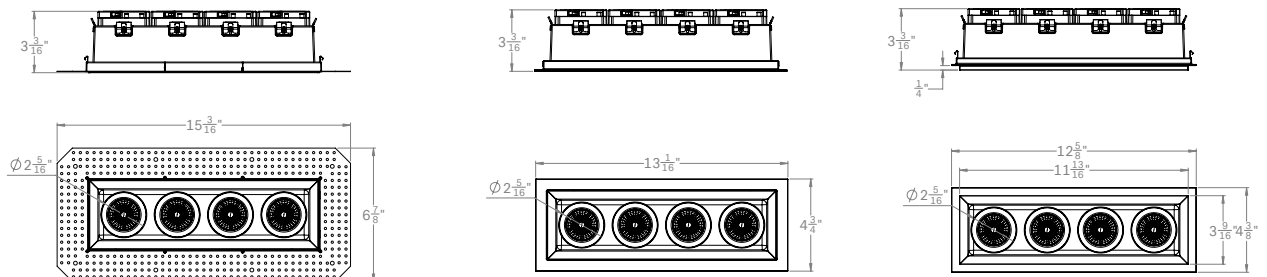
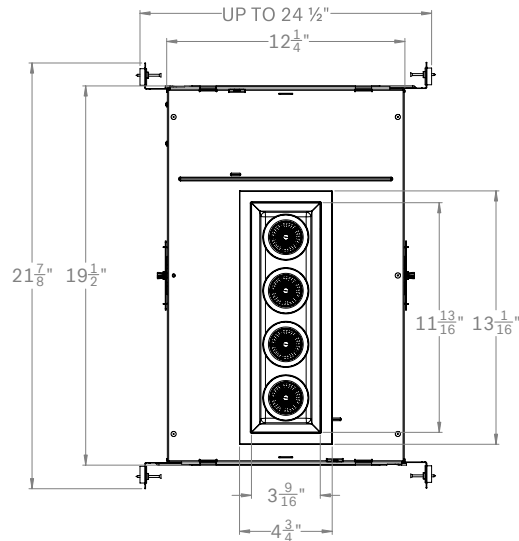
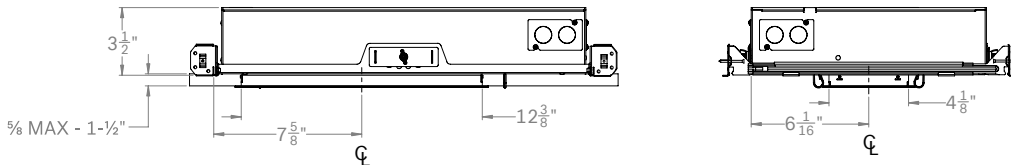
S2-3L-WC

GYROSHIFT MULTIPLES LED DOWNLIGHT

HOUSING AND LIGHT ENGINE LINE DRAWINGS

S2-4L

New Construction IC Housing (4 Head Linear)



S2-4L-TL

S2-4L-ST

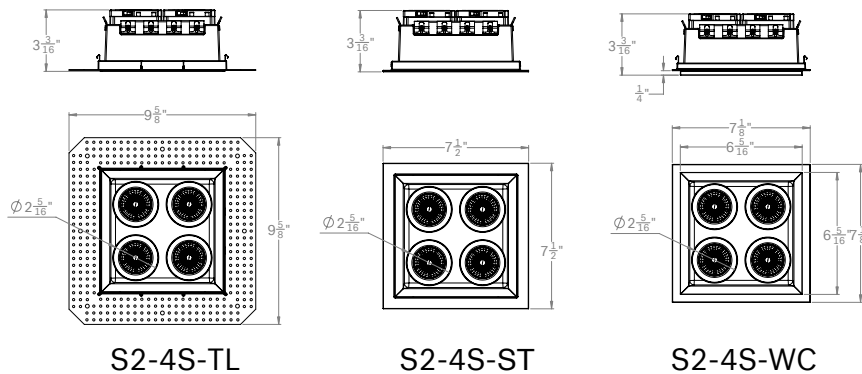
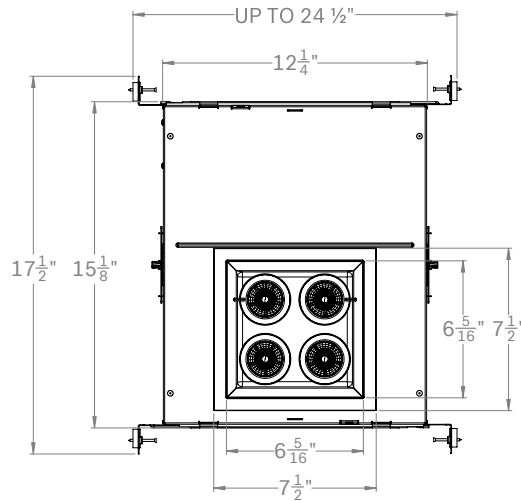
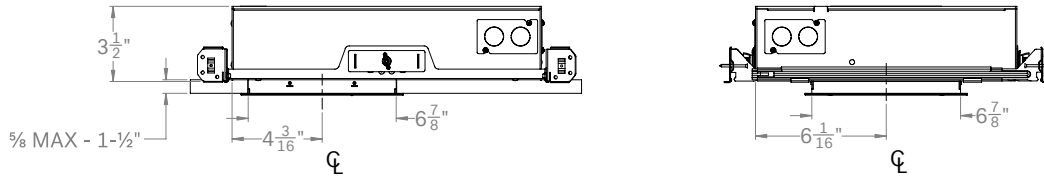
S2-4L-WC

GYROSHIFT MULTIPLES LED DOWNLIGHT

HOUSING AND LIGHT ENGINE LINE DRAWINGS

S2-4S

New Construction IC Housing (4 Head Square)



S2-4S-TL

S2-4S-ST

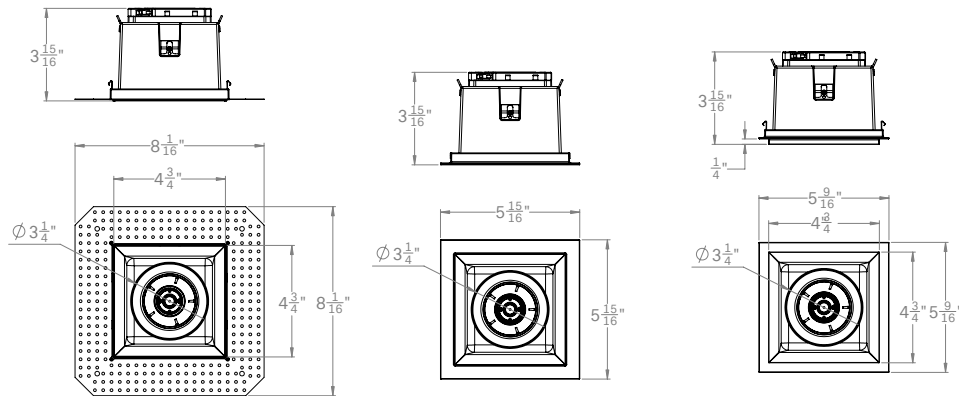
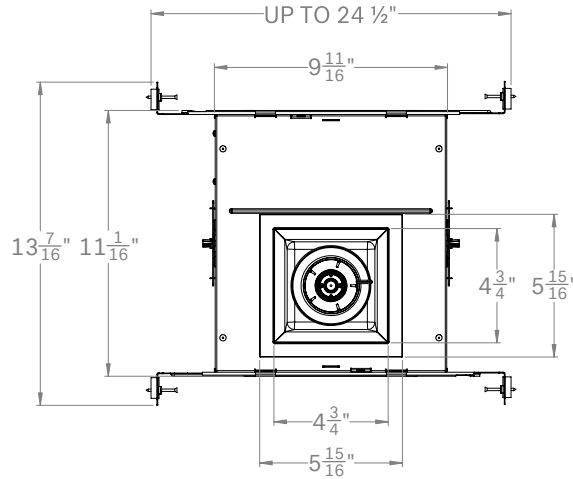
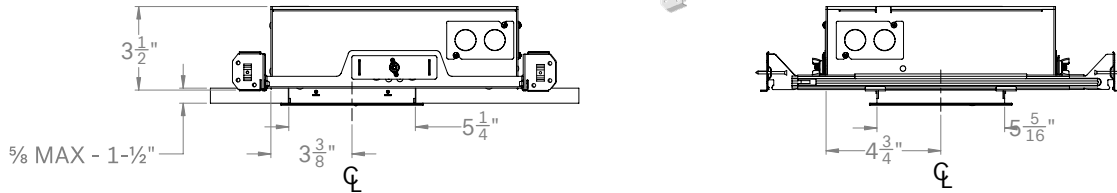
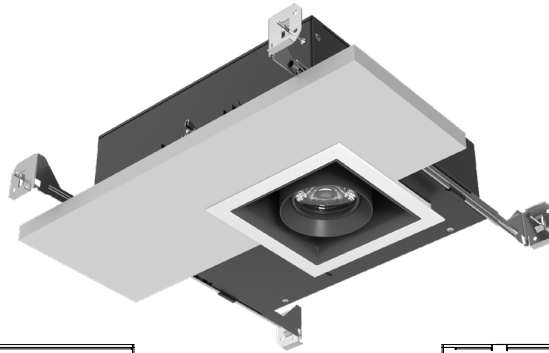
S2-4S-WC

GYROSHIFT MULTIPLES LED DOWNLIGHT

HOUSING AND LIGHT ENGINE LINE DRAWINGS

S3-1L

New Construction IC Housing (1 Head)



S3-1L-TL

S3-1L-ST

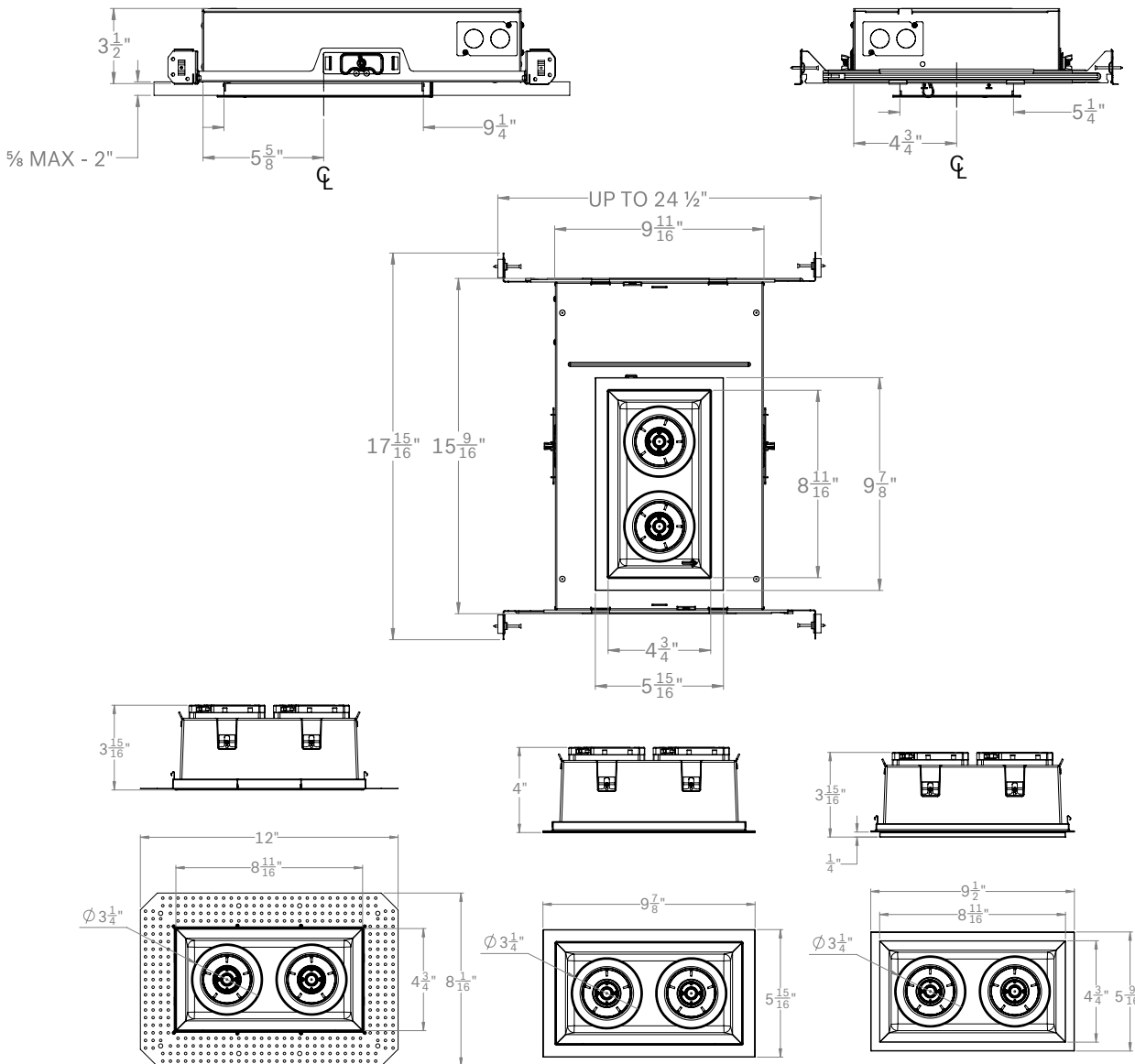
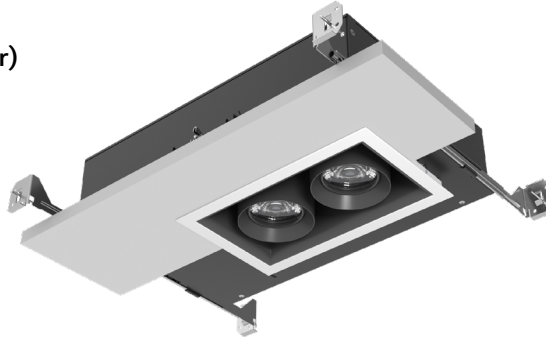
S3-1L-WC

Project: _____
 Type: _____
 Note: _____

GYROSHIFT MULTIPLES LED DOWNLIGHT

HOUSING AND LIGHT ENGINE LINE DRAWINGS

S3-2L New Construction IC Housing (2 Head Linear)



S3-2L-TL

S3-2L-ST

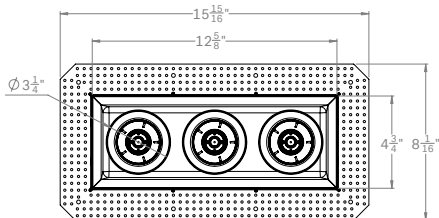
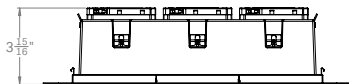
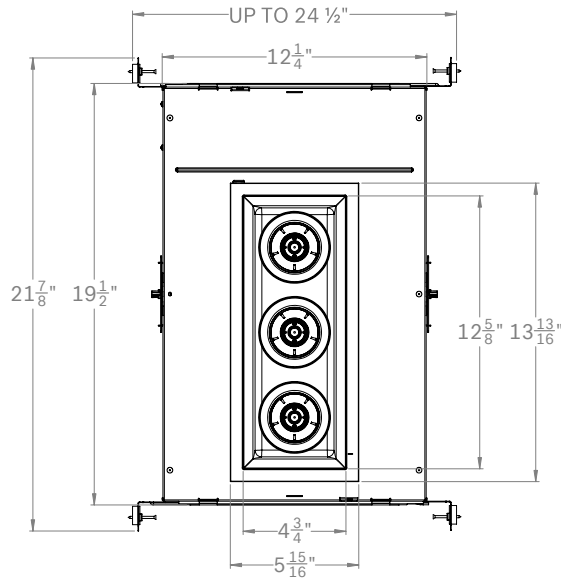
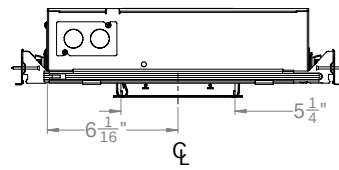
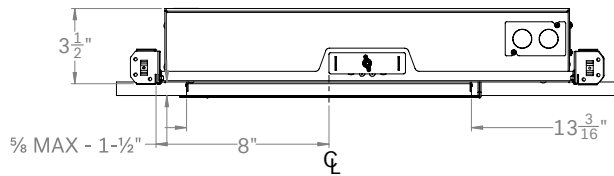
S3-2L-WC

Project: _____
 Type: _____
 Note: _____

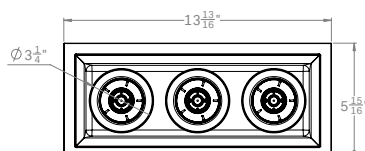
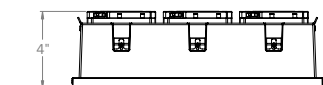
GYROSHIFT MULTIPLES LED DOWNLIGHT

HOUSING AND LIGHT ENGINE LINE DRAWINGS

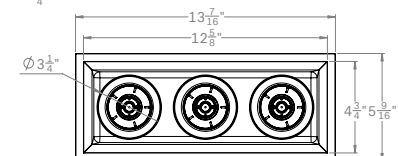
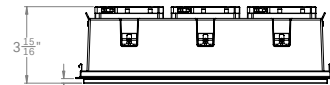
S3-3L New Construction IC Housing (3 Head Linear)



S3-3L-TL



S3-3L-ST



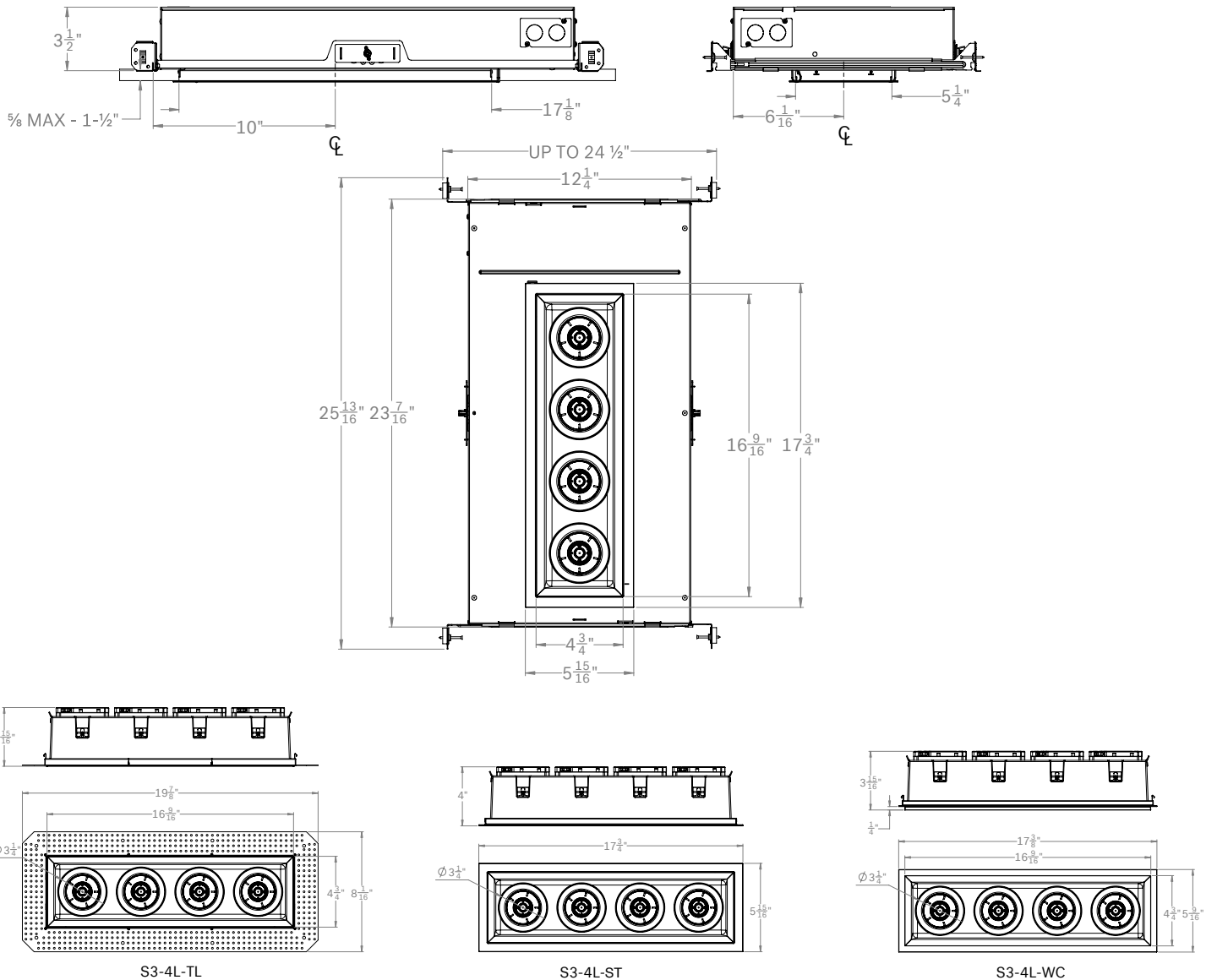
S3-3L-WC

GYROSHIFT MULTIPLES LED DOWNLIGHT

HOUSING AND LIGHT ENGINE LINE DRAWINGS

S3-4L

New Construction IC Housing (4 Head Linear)



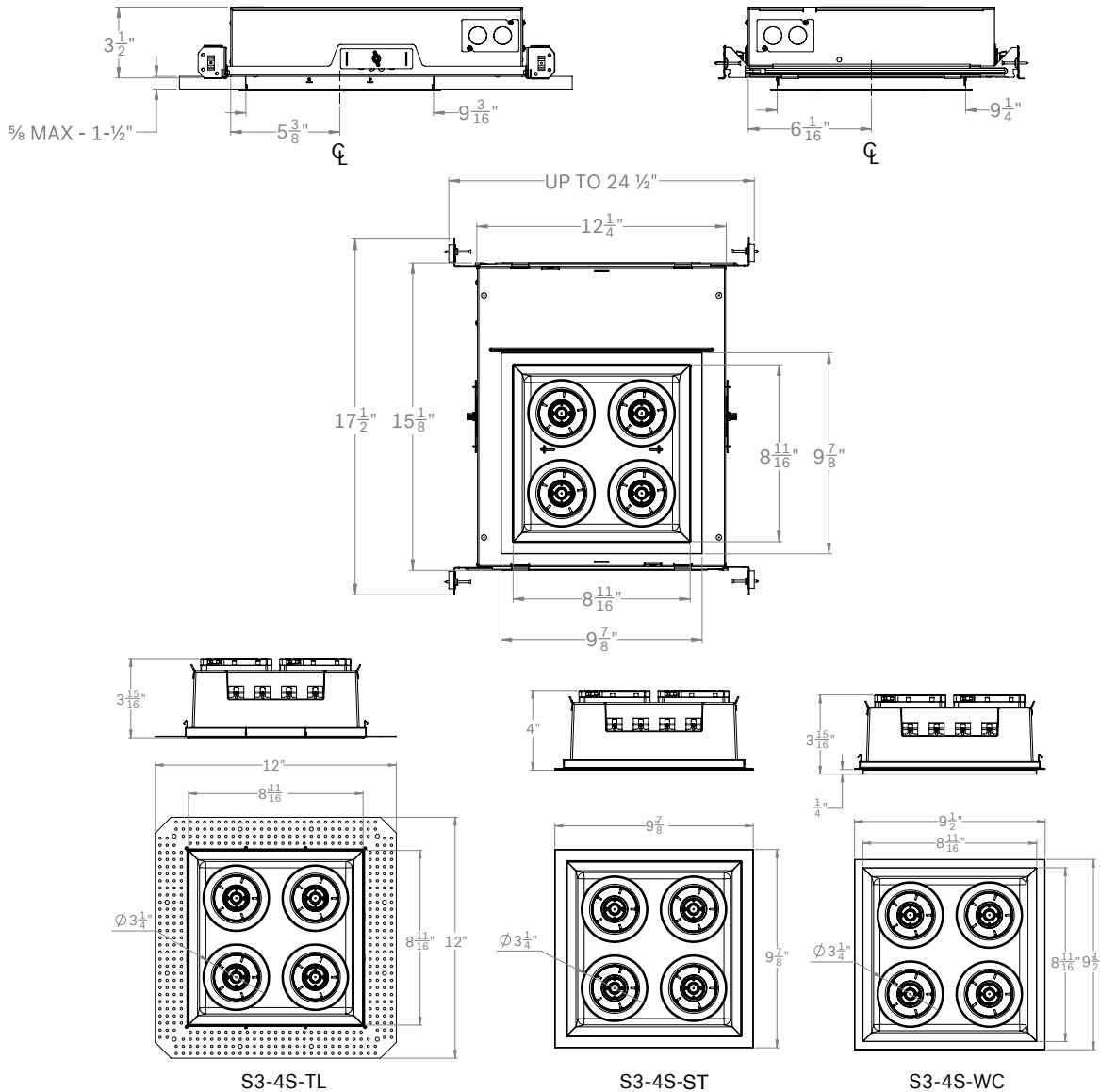
Project: _____
 Type: _____
 Note: _____

GYROSHIFT MULTIPLES LED DOWNLIGHT

HOUSING AND LIGHT ENGINE LINE DRAWINGS

S3-4S

New Construction IC Housing (4 Head Square)



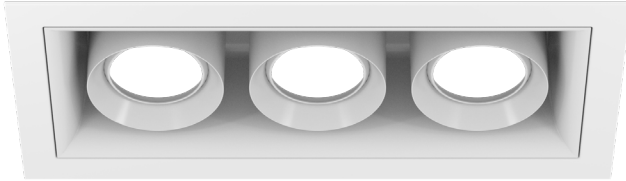
Project: _____

Type: _____

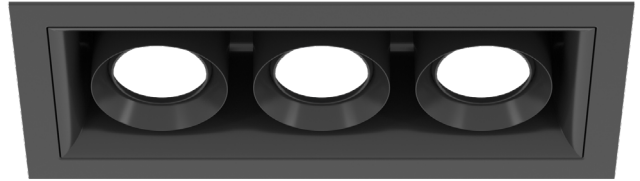
Note: _____

GYROSHIFT MULTIPLES LED DOWNLIGHT

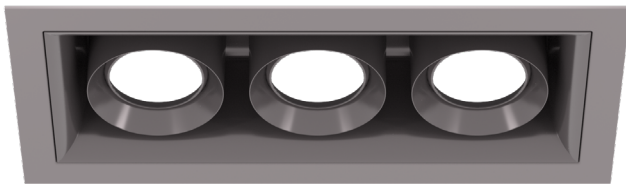
TRIM FINISHES



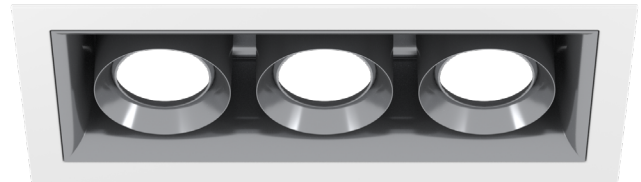
S3-3L-ST-WTWT
WT White Trim
WT White Trim Interior



S3-3L-ST-BKBK
BK Black Trim
BK Black Trim Interior



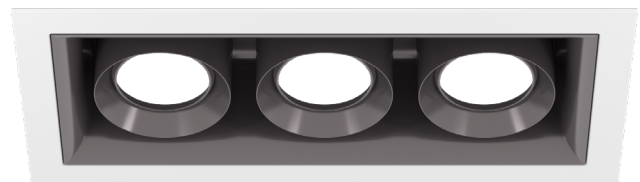
S3-3L-ST-CNCN
CN Champagne Trim
CN Champagne Trim Interior



S3-3L-ST-WTSA
WT White Trim
SA Satin Aluminum Trim Interior



S3-3L-ST-WTBK
WT White Trim
BK Black Trim Interior



S3-3L-ST-WTCN
WT White Trim
CN Champagne Trim Interior

Project: _____

Type: _____

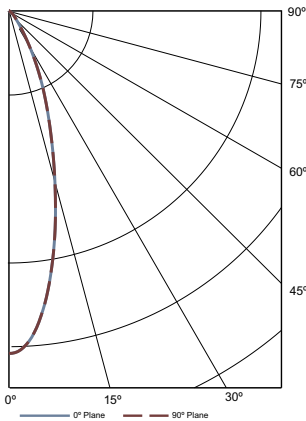
Note: _____

GYROSHIFT MULTIPLES LED DOWNLIGHT

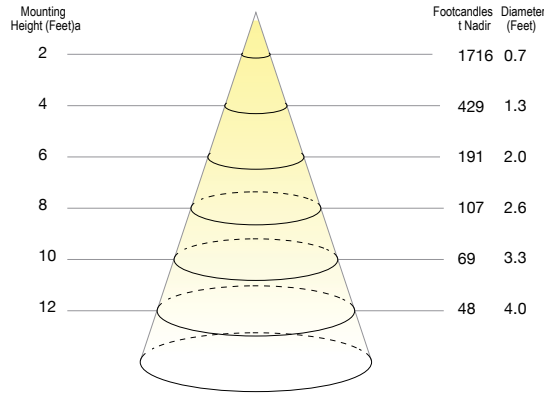
PHOTOMETRICS

GyroShift 2" 1 Head S2-1L-ST-WTWT-2790-10NLNL (2700K, 90CRI, 10° Optic, 15W)

Polar Plot



Cone of Light Tabulation



VOLTAGE	CURRENT	POWER
120 VAC	0.14A	16.36W

POWER FACTOR	FREQUENCY	CURRENT THD
0.9875	60 Hz	14.5%

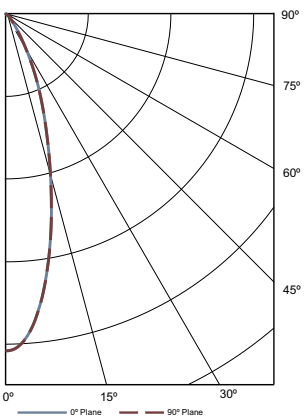
Summary of Results

Spacing Criteria	Total Lumen Output:	954.1 lm
0-180: 0.32	Luminaire Efficacy:	58.3 lpw
90-270: 0.32	Maximum Candela:	3272 cd

ZONE	LUMENS	% OF LUMINAIRE
0-40	850.1	82.9%
0-60	926.4	97.1%
0-90	954.1	100%

GyroShift 2" 1 Head S2-1L-ST-WTWT-2790-30NLNL (2700K, 90CRI, 30° Optic, 15W)

Polar Plot



Cone of Light Tabulation



VOLTAGE	CURRENT	POWER
120 VAC	0.14A	16.35W

POWER FACTOR	FREQUENCY	CURRENT THD
0.9875	60 Hz	14.4%

Summary of Results

Spacing Criteria	Total Lumen Output:	989.43 lm
0-180: 0.52	Luminaire Efficacy:	60.5 lpw
90-270: 0.5	Maximum Candela:	2614 cd

ZONE	LUMENS	% OF LUMINAIRE
0-40	865.8	87.5%
0-60	957.8	96.8%
0-90	989.43	100%

Project: _____

Type: _____

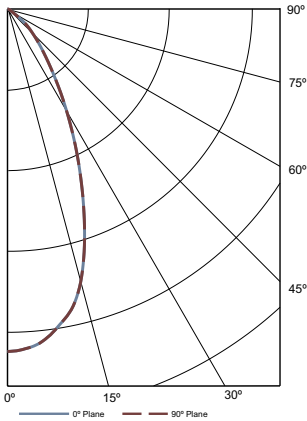
Note: _____

GYROSHIFT MULTIPLES LED DOWNLIGHT

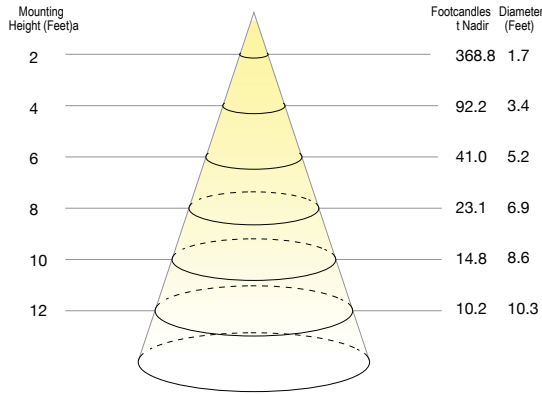
PHOTOMETRICS

GyroShift 2" 1 Head S2-1L-ST-WTWT-2790-50NLNL (2700K, 90CRI, 50° Optic, 15W)

Polar Plot



Cone of Light Tabulation



VOLTAGE	CURRENT	POWER
120 VAC	0.14A	16.32W

POWER FACTOR	FREQUENCY	CURRENT THD
0.9876	60 Hz	14.44%

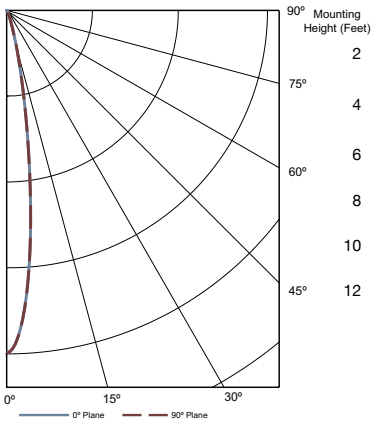
Summary of Results

Spacing Criteria	Total Lumen Output:	1012.61 lm
0-180: 0.74	Luminaire Efficacy:	62 lpw
90-270: 0.7	Maximum Candela:	1475 cd

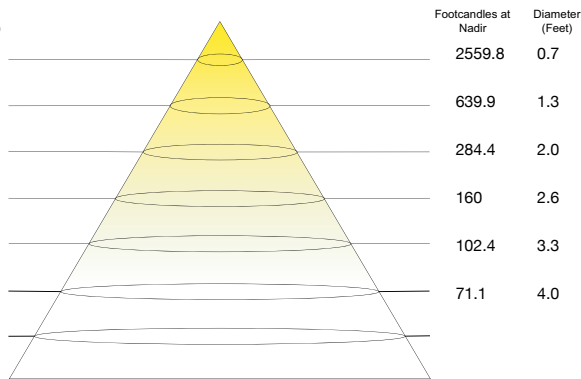
ZONE	LUMENS	% OF LUMINAIRE
0-40	885.0	87.4%
0-60	987.3	97.5%
0-90	1012.61	100%

GyroShift 3" 1 Head S3-1L-ST-WTWT-2790-10NLNL (2700K, 90CRI, 10° Optic, 20W)

Polar Plot



Cone of Light Tabulation



VOLTAGE	CURRENT	POWER
120 VAC	0.20A	23.53W

POWER FACTOR	FREQUENCY	CURRENT THD
0.9957	60 Hz	6.51%

Summary of Results

Spacing Criteria	Total Lumen Output:	1484.18 lm
0-180: 0.34	Luminaire Efficacy:	63.08 lpw
90-270: 0.3	Maximum Candela:	10239 cd

ZONE	LUMENS	% OF LUMINAIRE
0-40	1380.3	93%
0-60	1454.5	98%
0-90	1484.18	100%

Project: _____

Type: _____

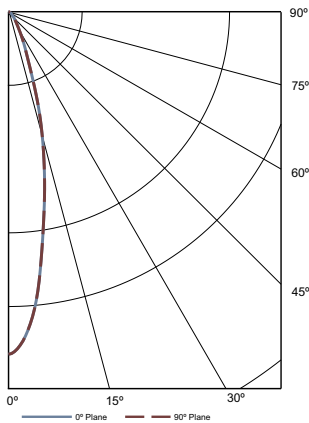
Note: _____

GYROSHIFT MULTIPLES LED DOWNLIGHT

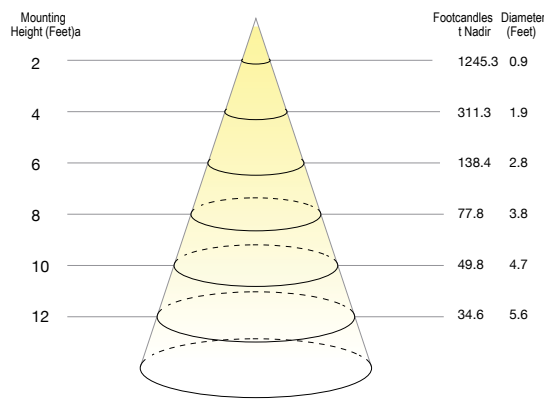
PHOTOMETRICS

GyroShift 3" 1 Head S3-1L-ST-WTWT-2790-30NLNL (2700K, 90CRI, 30° Optic, 20W)

Polar Plot



Cone of Light Tabulation



VOLTAGE	CURRENT	POWER
120 VAC	0.20A	23.55W

POWER FACTOR	FREQUENCY	CURRENT THD
0.9957	60 Hz	6.55%

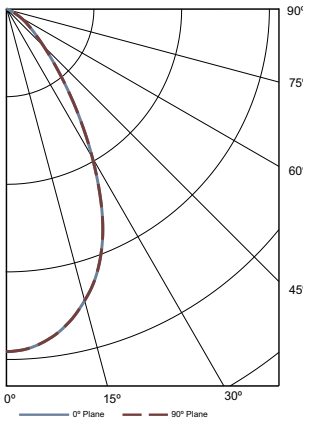
Summary of Results

Spacing Criteria	Total Lumen Output:	1491.65 lm
	0-180: 0.46	Luminaire Efficacy: 63.3 lpw
	90-270: 0.5	Maximum Candela: 4981 cd

ZONE	LUMENS	% OF LUMINAIRE
0-40	1352.9	90.7%
0-60	1464.8	98.2%
0-90	1491.65	100%

GyroShift 3" 1 Head S3-1L-ST-WTWT-2790-50NLNL (2700K, 90CRI, 50° Optic, 20W)

Polar Plot



Cone of Light Tabulation



VOLTAGE	CURRENT	POWER
120 VAC	0.20A	23.57W

POWER FACTOR	FREQUENCY	CURRENT THD
0.9957	60 Hz	6.5%

Summary of Results

Spacing Criteria	Total Lumen Output:	1486.3 lm
	0-180: 0.86	Luminaire Efficacy: 63.1 lpw
	90-270: 0.9	Maximum Candela: 1560 cd

ZONE	LUMENS	% OF LUMINAIRE
0-40	1213.7	81.7%
0-60	1441.2	97%
0-90	1486.3	100%

Project: _____
 Type: _____
 Note: _____

GYROSHIFT MULTIPLES LED DOWNLIGHT

DIMMING DRIVER COMPATIBILITY

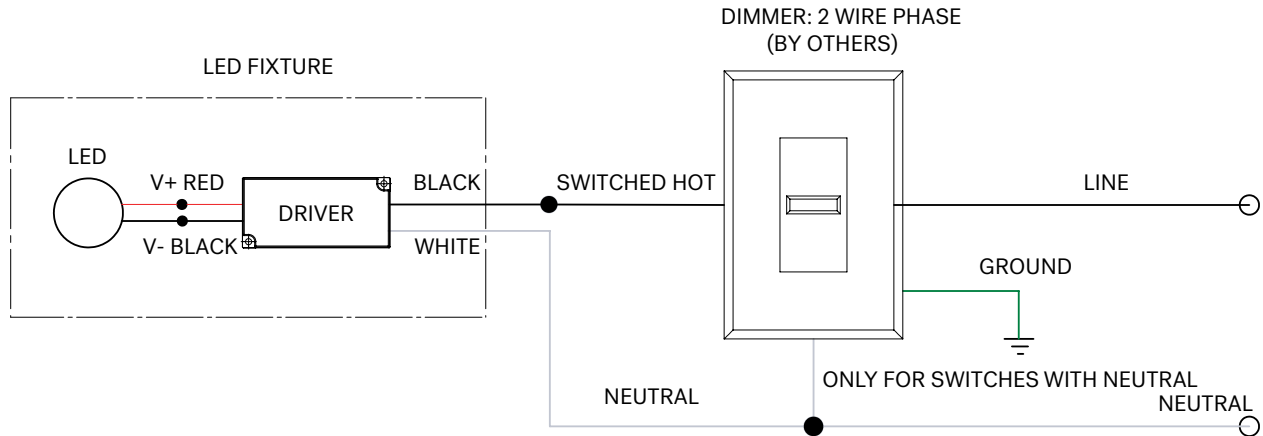
DIMMER LIST

"S" ERP PHASE-CUT DIMMERS

DIMMER INFORMATION			
MANUFACTURER	PRODUCT	MANUFACTURER	PRODUCT
Cooper	DAL06P	Lightolier	ZP260QEW
	DLC03P	Lutron	CT103P
	SLC03P		DV600P
Leviton	6161		DVCL-153P
	6631-2		DVELV303P
	6633-P		FAELV500
	6673-10W		LG600P
	6683-IW		MAELV600
	IPE04		S600P
	IPI06-1LZ		S-603PG
	VPE06		SELV300P
			TG-600P
			TGCL-153P

NOTE: Wiring diagrams are examples of typical installations intended to illustrate the number of wires that must be run to fixture. These diagrams are not intended to specify all equipment necessary for a given dimming circuit. Refer to specific dimmer manufacturer's documentation for details.

S- ERP DRIVER 2 WIRE PHASE DIMMING



IMPORTANT SAFETY INSTRUCTIONS - SAVE THESE INSTRUCTIONS

1. Keep these instructions in a safe place for future reference.
2. Only qualified electricians in accordance to local codes should install these fixtures
3. De-energize the electrical circuit at the circuit breaker prior to installation process or servicing.
4. Make sure all connections are in accordance with the National Electrical Code and any local regulations.
5. Cap any wires not used separately (not together).

Project: _____
 Type: _____
 Note: _____

GYROSHIFT MULTIPLES LED DOWNLIGHT

DIMMING DRIVER COMPATIBILITY

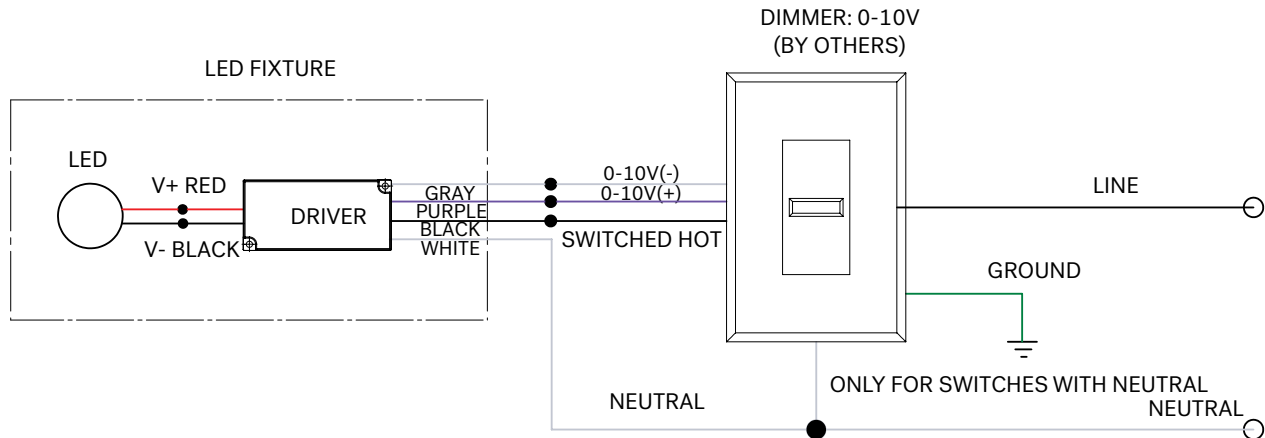
DIMMER LIST

"S" 0-10V

DIMMER INFORMATION	
MANUFACTURER	PRODUCT
Leviton	IP740-DLZ
Lightolier	ZP600FAM120
	V2000FAMU
Lutron	DVTV
	NTFTV
Crestron	CLS-EXP-DIMFLV
	DIN-4DIMFLV4
	DIN-A08
	GLX-DIMFLV8

NOTE: Wiring diagrams are examples of typical installations intended to illustrate the number of wires that must be run to fixture. These diagrams are not intended to specify all equipment necessary for a given dimming circuit. Refer to specific dimmer manufacturer's documentation for details.

S DRIVER 0-10V DIMMING



IMPORTANT SAFETY INSTRUCTIONS - SAVE THESE INSTRUCTIONS

1. Keep these instructions in a safe place for future reference.
2. Only qualified electricians in accordance to local codes should install these fixtures
3. De-energize the electrical circuit at the circuit breaker prior to installation process or servicing.
4. Make sure all connections are in accordance with the National Electrical Code and any local regulations.
5. Cap any wires not used separately (not together).

Project: _____
 Type: _____
 Note: _____

GYROSHIFT MULTIPLES LED DOWNLIGHT

DIMMING DRIVER COMPATIBILITY

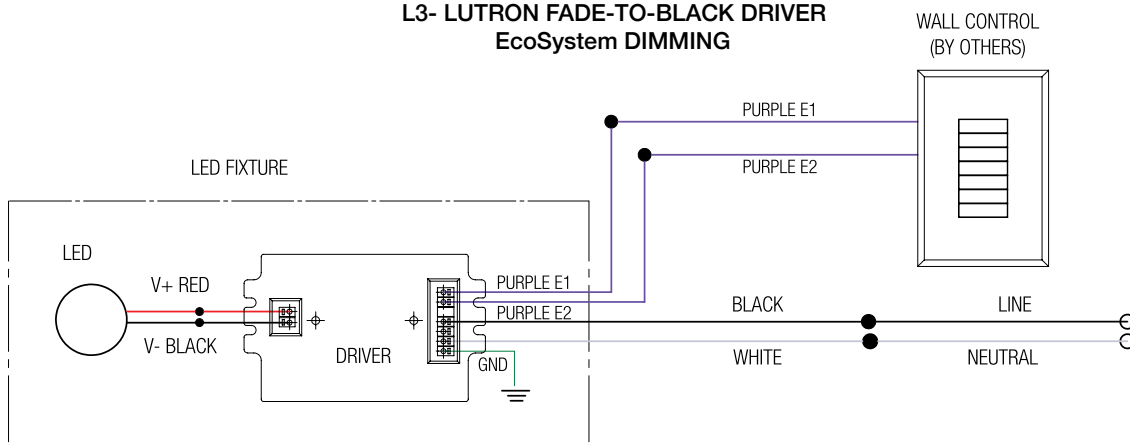
DIMMER LIST

"L3" LUTRON FADE-TO-BLACK

DIMMER INFORMATION	
MANUFACTURER	PRODUCT
Lutron	LQSE-2ECO-D
	RMJ-ECO32-DV-B
	FCJ/FCJS-ECO
	QSN-1ECO-S
	QSN-2ECO-S
	EcoSystem ESN
	Grafik Eye QS with EcoSystem
	Quantum

NOTE: Wiring diagrams are examples of typical installations intended to illustrate the number of wires that must be run to fixture. These diagrams are not intended to specify all equipment necessary for a given dimming circuit. Refer to specific dimmer manufacturer's documentation for details.

L3- LUTRON FADE-TO-BLACK DRIVER EcoSystem DIMMING



IMPORTANT SAFETY INSTRUCTIONS - SAVE THESE INSTRUCTIONS

1. Keep these instructions in a safe place for future reference.
2. Only qualified electricians in accordance with local codes should install these fixtures
3. De-energize the electrical circuit at the circuit breaker prior to installation process or servicing.
4. Make sure all connections are in accordance with the National Electrical Code and any local regulations.
5. Cap any wires not used separately (not together).

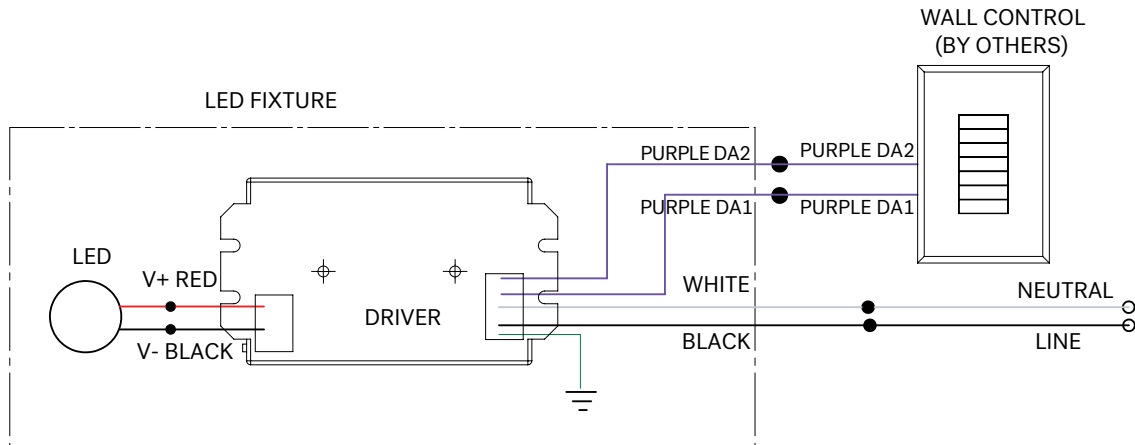
Project: _____
 Type: _____
 Note: _____

GYROSHIFT MULTIPLES LED DOWNLIGHT

DIMMING DRIVER COMPATIBILITY

NOTE: Wiring diagrams are examples of typical installations intended to illustrate the number of wires that must be run to fixture. These diagrams are not intended to specify all equipment necessary for a given dimming circuit. Refer to specific dimmer manufacturer's documentation for details.

EL1- eldoLED DRIVER DALI DIMMING



IMPORTANT SAFETY INSTRUCTIONS - SAVE THESE INSTRUCTIONS

1. Keep these instructions in a safe place for future reference.
2. Only qualified electricians in accordance to local codes should install these fixtures
3. De-energize the electrical circuit at the circuit breaker prior to installation process or servicing.
4. Make sure all connections are in accordance with the National Electrical Code and any local regulations.
5. Cap any wires not used separately (not together).

Project: _____
 Type: _____
 Note: _____

GYROSHIFT MULTIPLES LED DOWNLIGHT

DIMMING DRIVER COMPATIBILITY

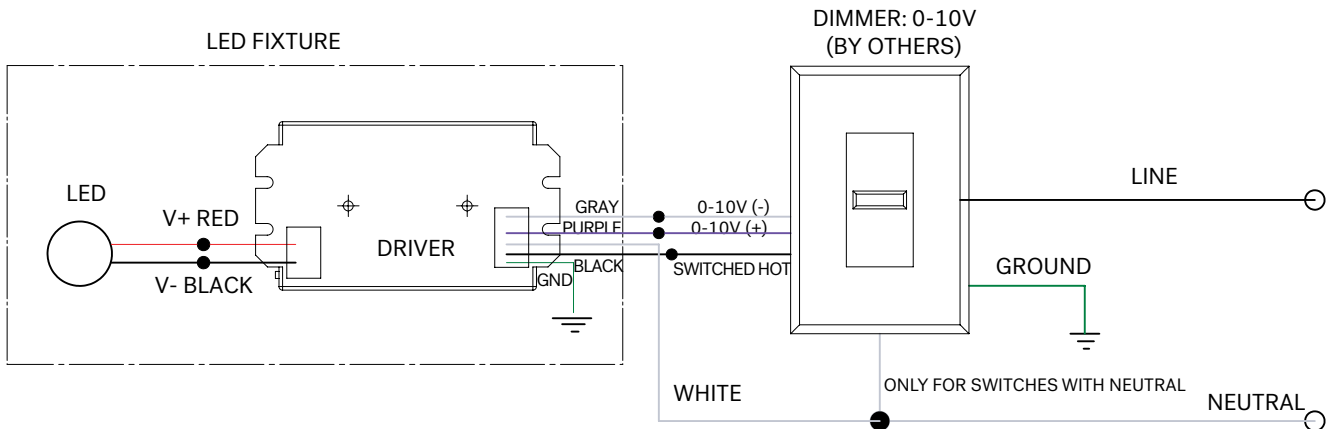
DIMMER LIST

"EL2" eIdoLED 0-10V 1%

DIMMER INFORMATION	
MANUFACTURER	PRODUCT
Leviton	IP740-DLZ
Lightolier	ZP600FAM120
Lutron	DVTV
	NTFTV
	NFTV
Crestron	CLS-EXP-DIMFLV
	DIN-4DIMFLV4
	DIN-A08
	GLX-DIMFLV8

NOTE: Wiring diagrams are examples of typical installations intended to illustrate the number of wires that must be run to fixture. These diagrams are not intended to specify all equipment necessary for a given dimming circuit. Refer to specific dimmer manufacturer's documentation for details.

EL2- eIdoLED DRIVER 0-10V DIMMING



IMPORTANT SAFETY INSTRUCTIONS - SAVE THESE INSTRUCTIONS

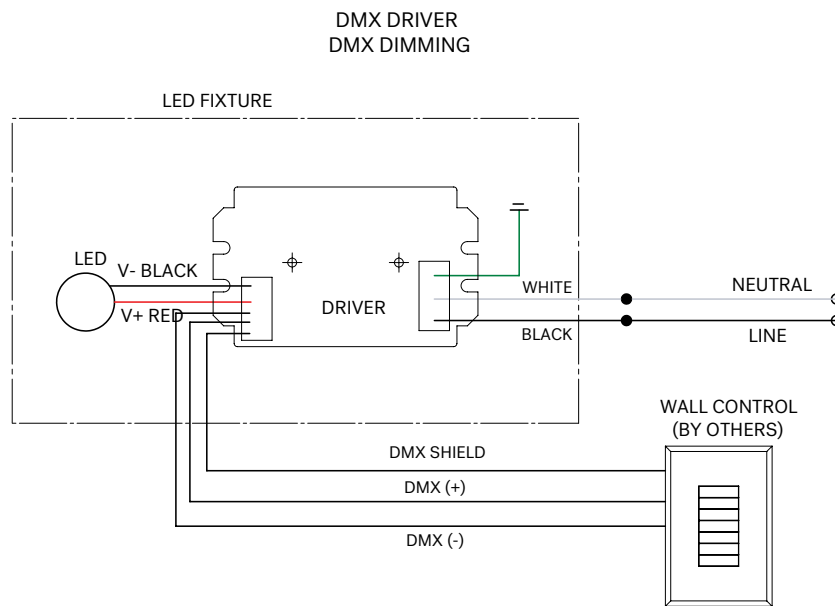
1. Keep these instructions in a safe place for future reference.
2. Only qualified electricians in accordance to local codes should install these fixtures
3. De-energize the electrical circuit at the circuit breaker prior to installation process or servicing.
4. Make sure all connections are in accordance with the National Electrical Code and any local regulations.
5. Cap any wires not used separately (not together).

Project: _____
 Type: _____
 Note: _____

GYROSHIFT MULTIPLES LED DOWNLIGHT

DIMMING DRIVER COMPATIBILITY

NOTE: Wiring diagrams are examples of typical installations intended to illustrate the number of wires that must be run to fixture. These diagrams are not intended to specify all equipment necessary for a given dimming circuit. Refer to specific dimmer manufacturer's documentation for details.



IMPORTANT SAFETY INSTRUCTIONS - SAVE THESE INSTRUCTIONS

1. Keep these instructions in a safe place for future reference.
2. Only qualified electricians in accordance to local codes should install these fixtures
3. De-energize the electrical circuit at the circuit breaker prior to installation process or servicing.
4. Make sure all connections are in accordance with the National Electrical Code and any local regulations.
5. Cap any wires not used separately (not together).

NOTE: ALL DMX MULTIPLE HEAD OPTIONS ALLOW INDEPENDENT ADDRESSABILITY PER HEAD