

INSTALLATION GUIDE

GYRO SHIFT | CONDUIT SUSPENDED CABLE

READ AND FOLLOW ALL SAFETY INSTRUCTIONS! SAVE THESE INSTRUCTIONS AND DELIVER TO OWNER AFTER INSTALLATION.

**⚠ WARNING: RISK OF ELECTRIC SHOCK**

- Before installation, servicing, or performing routine maintenance **DISCONNECT POWER BY TURNING OFF THE CIRCUIT breakers both to the outlet box and to its associated wall switch.**
- Installation and service of luminaires should be performed by a qualified licensed electrician in accordance with all local and National Electrical Codes.
- **DO NOT** install damaged product
- Verify that supply voltage is correct by comparing it with the luminaire label information.
- All wiring connections should be capped with UL approved recognized wire connectors

**⚠ WARNING: RISK OF INJURY**

- Allow luminaire to cool before servicing and performing maintenance.
- Follow all manufacturer’s warning and restrictions for driver type, mounting locations, replacement and recycling.
- Wear safety glasses and gloves when installing, maintaining or servicing.
- Avoid direct eye exposure to the light source while it is on.

**⚠ WARNING: RISK OF PRODUCT DAMAGE**

- Never connect components under load
- Do not touch the yellow surface of the LED as it may damage the light engine

**⚠ WARNING**

- **DO NOT** separate any other wires that may be in the box.
- **DO NOT** damage the insulation of older wiring.
- In regular circumstances the **BLACK** wire will be the “Hot” lead and the **WHITE** wire will be the “Neutral” or “Common” lead. A **GREEN** or **BARE COPPER** wire is “Ground”. In older buildings, it is always good practice to reconfirm the polarity of the wiring.

**NOTICE**

- This fixture is designed to be mounted on a correctly installed standard round or octagon box. The box must be securely mounted to the structure of the building. The cover plate and hardware supplied should be used. Directly mounting the fixture to the outlet box may make it impossible to correctly align the fixture.

**STEP 1 - BUSHING INSTALL**

SCREW CABLE BUSHING ON UNIVERSAL PLATE AND FIXTURE

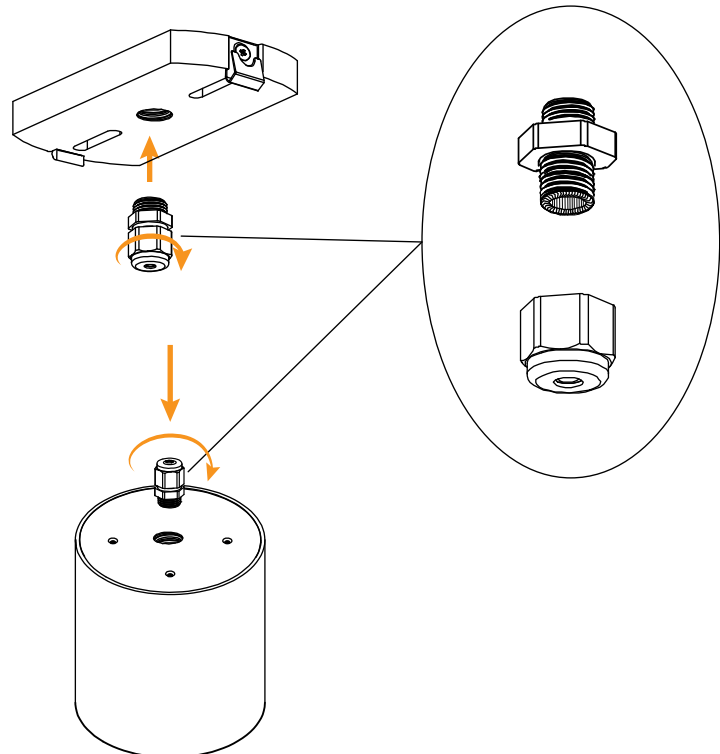


FIG-00003 Revised 09/26/19

INSTALLATION GUIDE

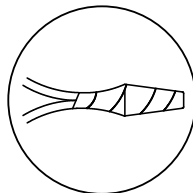
GYRO SHIFT | CONDUIT SUSPENDED CABLE

STEP 2 - ELECTRICAL CONNECTION

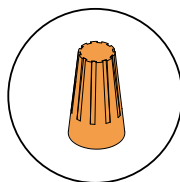
CONNECT WIRES WITH SAME COLOR USING APPROVED FASTENERS OR ELECTRICAL TAPE (DRIVER IS PRE-INSTALLED)

**⚠ WARNING**  
 MAKE SURE THAT THERE IS NO EXPOSED STRANDS OF WIRE THAT COULD CAUSE A DANGEROUS SHORT CIRCUIT!

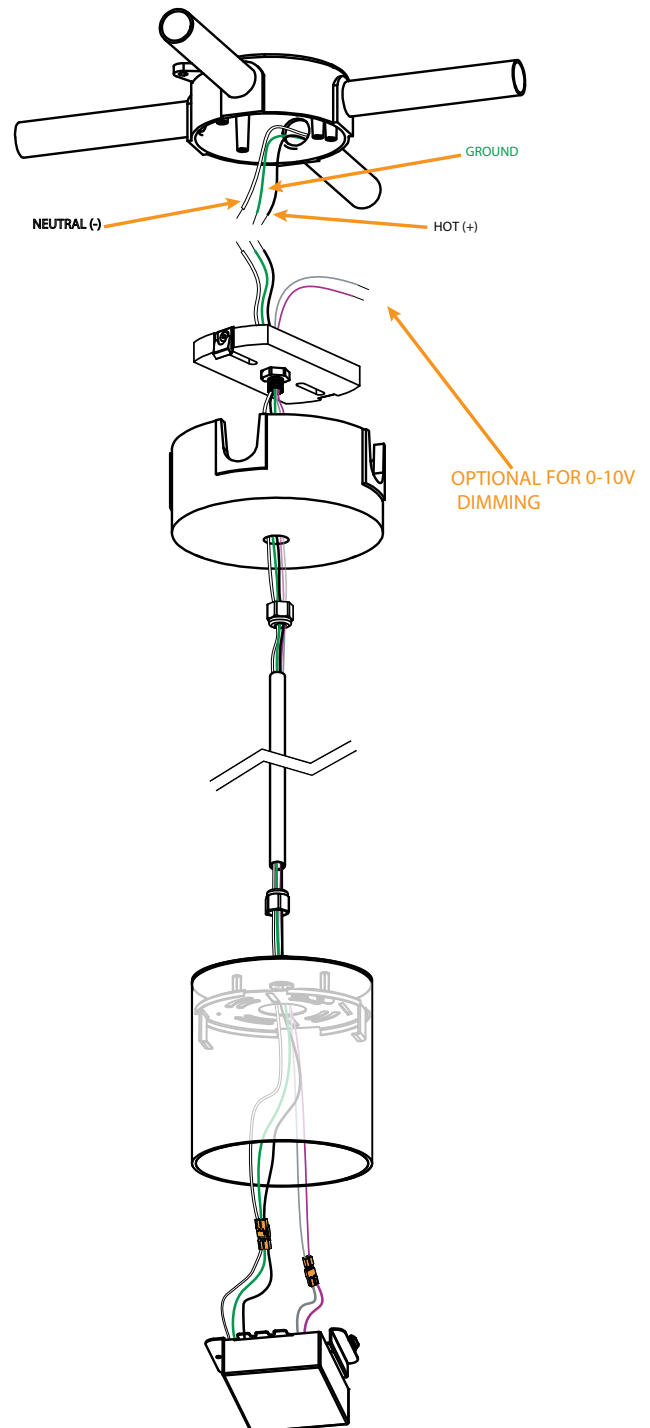
**⚠ WARNING**  
 NEVER FASTEN THE GROUND WIRE TO THE BLACK OR "HOT" WIRE! FAILURE TO FOLLOW THIS INSTRUCTION COULD RESULT IN SERIOUS INJURY OR DEATH!



ELECTRICAL TAPE



APPROVED FASTENER  
 WIRING NUT

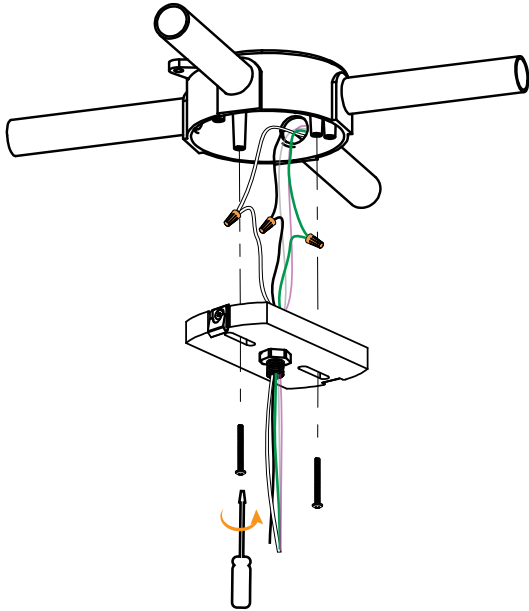


INSTALLATION GUIDE

GYRO SHIFT | CONDUIT SUSPENDED CABLE

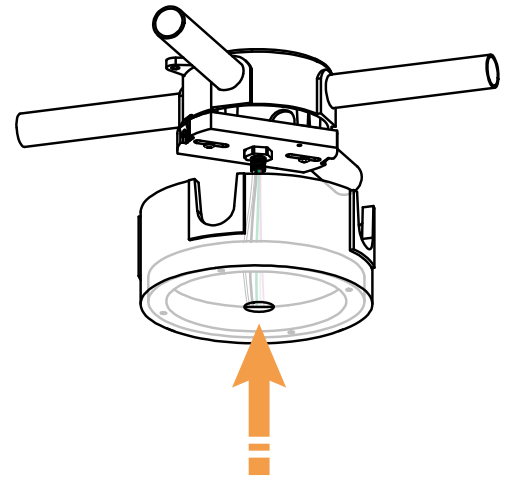
**STEP 3 - BRACKET INSTALL**

MOUNT BRACKET TO JUNCTION BOX WITH 8 x 32mm SCREWS



**STEP 4 - CANOPY INSTALL**

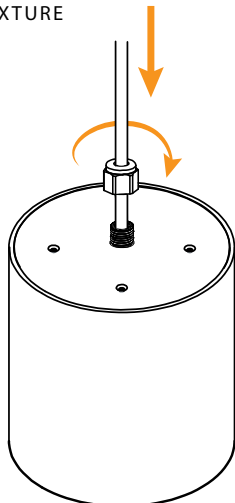
ALIGN AND PUSH CANOPY TO JUNCTION BOX.



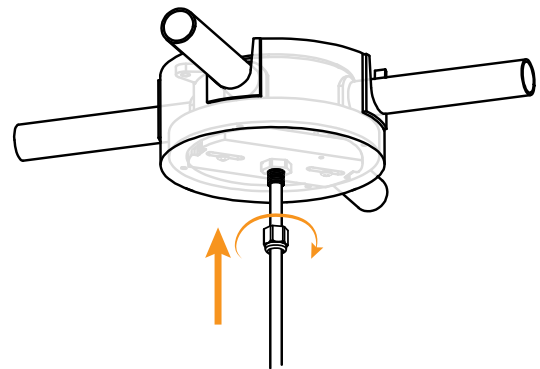
**STEP 5 - CABLE LOCK**

ADJUST CABLE TO DESIRED LENGTH, THEN TWIST BUSHING NUT CW TO LOCK

5A.  
LOCK BOLT ON FIXTURE



5B.  
LOCK BOLT ON CANOPY



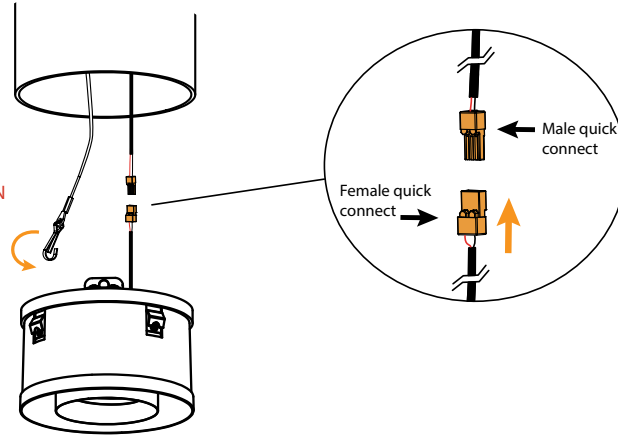
INSTALLATION GUIDE

GYRO SHIFT | CONDUIT SUSPENDED CABLE

STEP 6 - QUICK CONNECT / SAFETY CHAIN

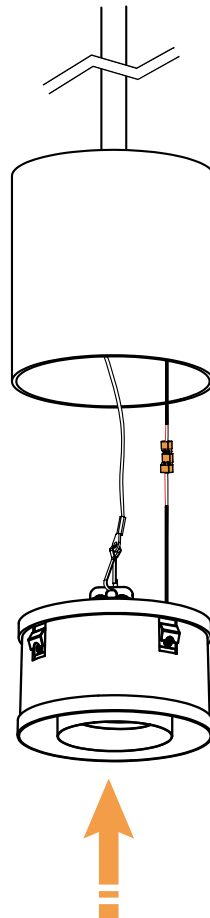
ATTACH HOUSING TO DRIVER WITH QUICK CONNECTS.

FOR SAFETY PURPOSES, MAKE SURE SAFETY CHAIN IS CORRECTLY SNAPPED TO HOUSING BRACKET



STEP 7 - INSTALL HOUSING

PUSH HOUSING INTO FIXTURE



INSTALLATION GUIDE

GYRO SHIFT | CONDUIT SUSPENDED CABLE

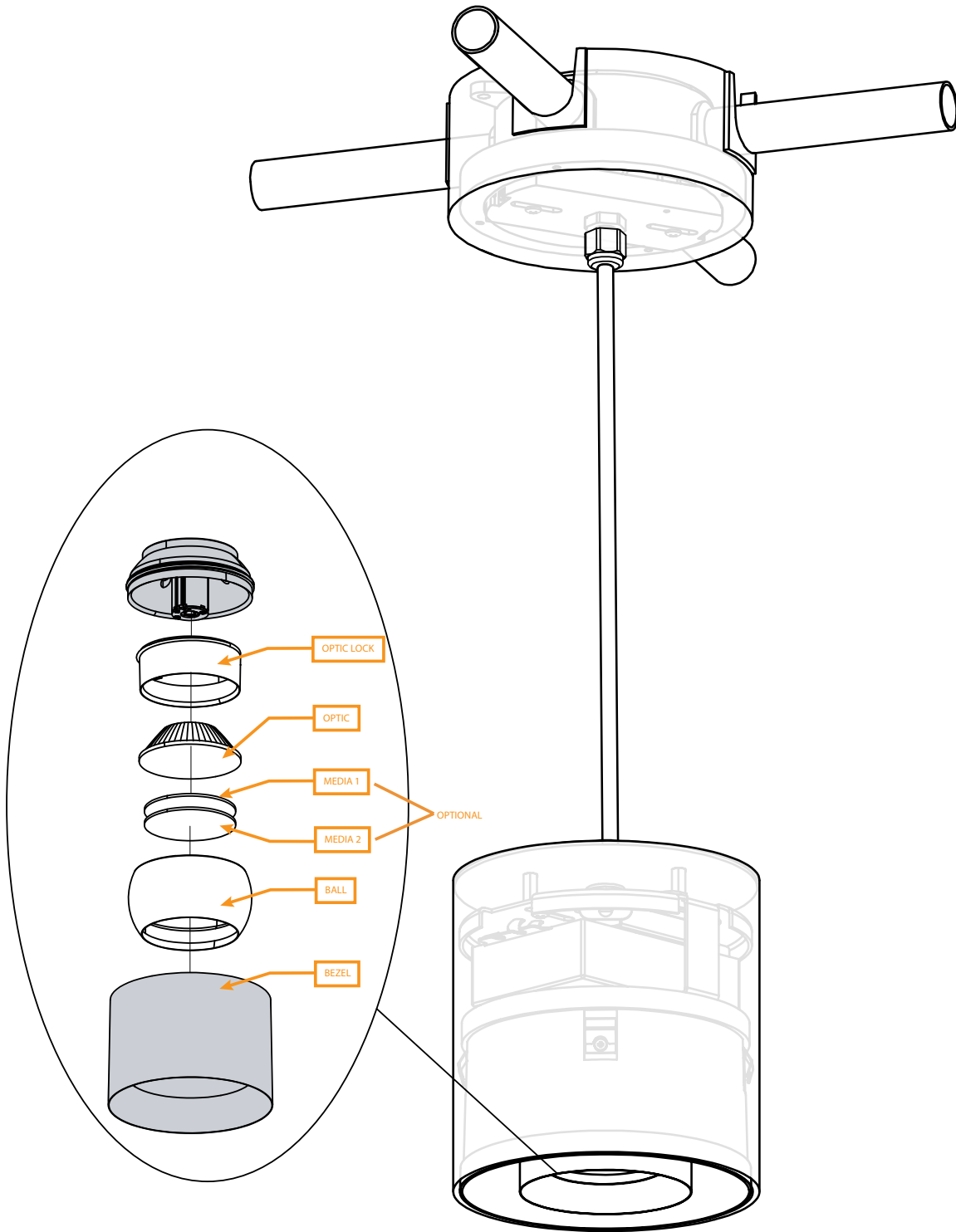
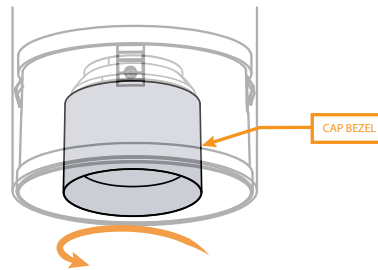


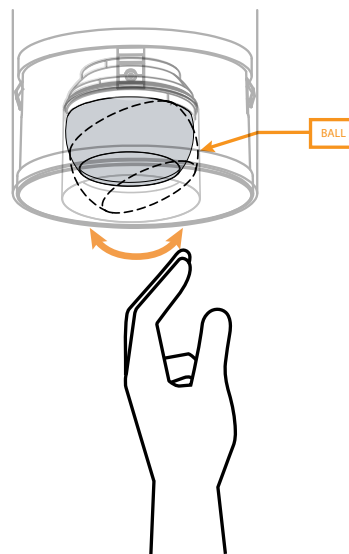
FIG-00003 Revised 09/26/19

LIGHT BEAM ADJUSTMENT

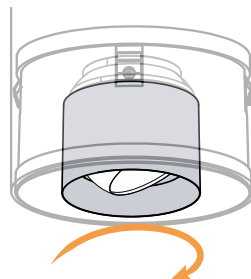
1. UN-THREAD CAP BEZEL COUNTER-CLOCK-WISE FOR 2 TURNS



2. ADJUST THE LIGHT BEAM TO DESIRE ANGLE WITH FINGERS AND PUSHING ON THE BEZEL OF THE OPTIC BALL (BALL CAN ROTATE 360° VERTICAL AND 45° HORIZONTAL)



3. RE-LOCK OPTIC BALL BY TURNING THE CAP BEZEL IN CLOCK-WISE BY HANDS UNTIL TIGHT.



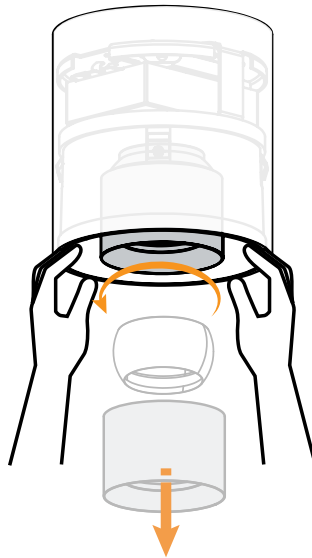
INSTALLATION GUIDE

GYRO SHIFT | CONDUIT SUSPENDED CABLE

UN-INSTALLATION

TO UN-INSTALL, TWIST THE BEZEL COUNTER-CLOCKWISE UNTIL IT COMES OFF. SLOWLY REMOVE THE BEZEL AND THE OPTIC BALL.

 **WARNING**  
MAKE SURE TO DISCONNECT ALL POWER BY TURNING OFF ELECTRICAL CIRCUIT BEFORE PERFORMING ANY SERVICE.



CAREFULLY PULL DOWN THE HOUSING TO MAKE ANY NECESSARY SERVICE.

