

## 3" Eco-Downlight

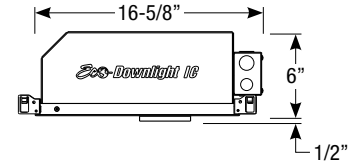
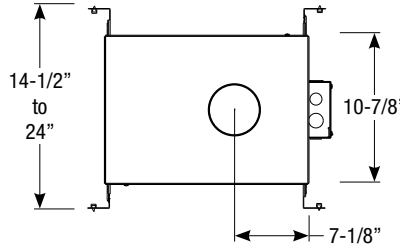
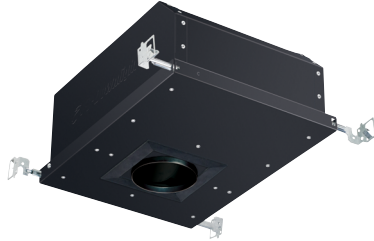
### IC Air-Tight Adjustable New Construction Housing

Round or Square

Wattage	CCT	Delivered Lumens	Efficacy
13W	2700K	1000lm	77lpw
13W	3000K	1200lm	92lpw
21W	2700K	1700lm	81lpw
21W	3000K	1850lm	88lpw
21W	3500K	2000lm	95lpw
21W	1850K - 3000K	1280lm	64lpw

Lumens will vary depending on optic, finish & trim type

### Dimensions



Field Cuttable  
Ceiling Cut-out: 3-7/8" Ø

### LED Light Engine

- 13W LED with 2700K or 3000K @ 90 CRI
- 21W LED with 2700K, 3000K or 3500K or Warm Dim @ 90 CRI
- 2 SDCM binning
- 50,000 hours at 70% lumen maintenance (L70)

### Field Replaceable Dimming Driver

- 13W Low power density (LPD) housings include a universal ELV / Triac driver with 120-277V input
- 21W housings are available with remote Lutron Hi-Lume® or universal 0-10V / ELV / Triac driver

### Optics

50° flood optic included (10°, 30° and 80° optic are available, must specify)

### Adjustability

359° horizontal rotation and 45° tilt

### Housing

- Aluminum air-tight housing with black power coat finish (Note: polycell spray-in foam insulation must be kept 3" from housing)
- Cold rolled steel junction box with black anodized finish, (4) 1/2" and (4) 3/4" trade size knockouts

### Mounting

- Includes (2) galvanized steel adjustable bar hangers
- Accommodates ceiling thickness up to 1"

### Trim

- Available in round or square aluminum trim, consult factory for custom finishes
- Available in open reflector, baffle, shower or wall wash trims
- Flush mount adapter and trimless mud plate available

### Accessories

Accommodates (2) accessories, a media holder is required.

### Emergency

Remote inverter operates for 90 minutes with remote test switch available, requires above ceiling access.

### Listing/Warranty

- Five (5) year limited warranty
- UL listed to US and Canadian standards for damp locations (wet location when used with shower trim)
- Meets ASTM E283 standards
- CEC (Title 24) Listed when used with reflector or baffle



### Housing Order Matrix (Example: EDL-ADJ-27-5)

Installation Type	CCT / CRI	Rev	Wattage / Driver
<b>EDL-ADJ</b> (IC)	<b>-27</b> (2700K / 90 CRI)	<b>-5</b>	(blank) <sup>3,4</sup> (21W / ERP, Universal Dim, Triac/ELV/0-10V 1% 120-277V) <b>-LPD</b> <sup>2</sup> (13W / ERP, Universal Dim, Triac/ELV 1% 120-277V)
	<b>-30</b> (3000K / 90 CRI)		
	<b>-35</b> <sup>1</sup> (3500K / 90 CRI)		
	<b>-WD</b> (1850K-3000K / 90 CRI)		

1. Not available with 13W LPD driver

2. Available in 2700K and 3000K only

3. Forward and reverse phase dimming at 120V only

4. Warm Dim only available

### Accessories (Note: Media holder required)

- EDL-MHLDR-4** (Media Holder - required)
- EDL-FT-4** (Frosted Lens)
- EDL-MP-4** (Solite Lens)
- EDL-CL-4** (Clear Lens)
- EDL-LN-4** (Linear Spread Lens)

### Optics

- EDL-10-OPTIC-5** (10° Spot)
- EDL-30-OPTIC-4** (30° Narrow Flood)
- EDL-50-OPTIC-4** (50° Flood)
- EDL-80-OPTIC-4** (80° Wide Flood)

### Emergency

- EM-1000** (25W LED Remote Inverter)
- EM-1002** (10W LED Remote Emergency Driver)
- EM-1003** (35W LED Remote Inverter)
- EM-1004** (50W LED Remote Inverter)

# 3" Eco-Downlight Adjustable Accent Reflector

## IC Air-Tight Adjustable New Construction Housing

Round or Square

Catalog #:

Type:

Project:

Date:

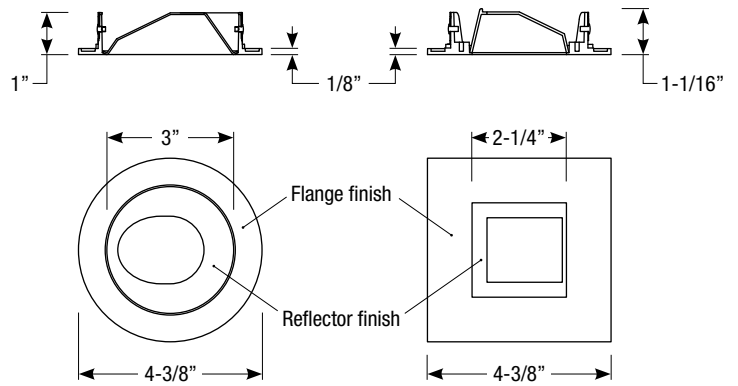
Notes:

### Adjustable Accent Reflector Trim Order Matrix (Example: EDL-1302-4)

Series	Aperture / Finish	Rev
EDL	-1300 (Round / Clear Alzak Reflector / White Flange)	-4
	-1301 (Round / Black Alzak Reflector / White Flange)	
	-1302 (Round / Clear Alzak Reflector / Satin Aluminum Flange)	
	-1303 (Round / Black Alzak Reflector / Satin Aluminum Flange)	
	-1304 (Round / Haze Reflector / White Flange)	
	-1305 (Round / Haze Reflector / Satin Aluminum Flange)	
	-1306 (Round / White Reflector / White Flange)	
	-1307 (Round / Bronze Reflector / Bronze Flange)	
	-7000 <sup>1</sup> (Round / White Reflector / Trimless)	
	-7001 <sup>1</sup> (Round / Satin Aluminum Reflector / Trimless)	
	-7002 <sup>1</sup> (Round / Bronze Reflector / Trimless)	
	-7003 <sup>1</sup> (Round / Black Reflector / Trimless)	
	-1500 (Square / White Reflector / White Flange)	
	-1501 (Square / Black Reflector / White Flange)	
	-1502 (Square / Haze Reflector / White Flange)	
	-1503 (Square / Black Reflector / Satin Aluminum Flange)	
	-1504 (Square / Haze Reflector / Satin Aluminum Flange)	
	-1505 (Square / Bronze Reflector / Bronze Flange)	

1. Requires trimless mud plate, must specify

### Dimensions



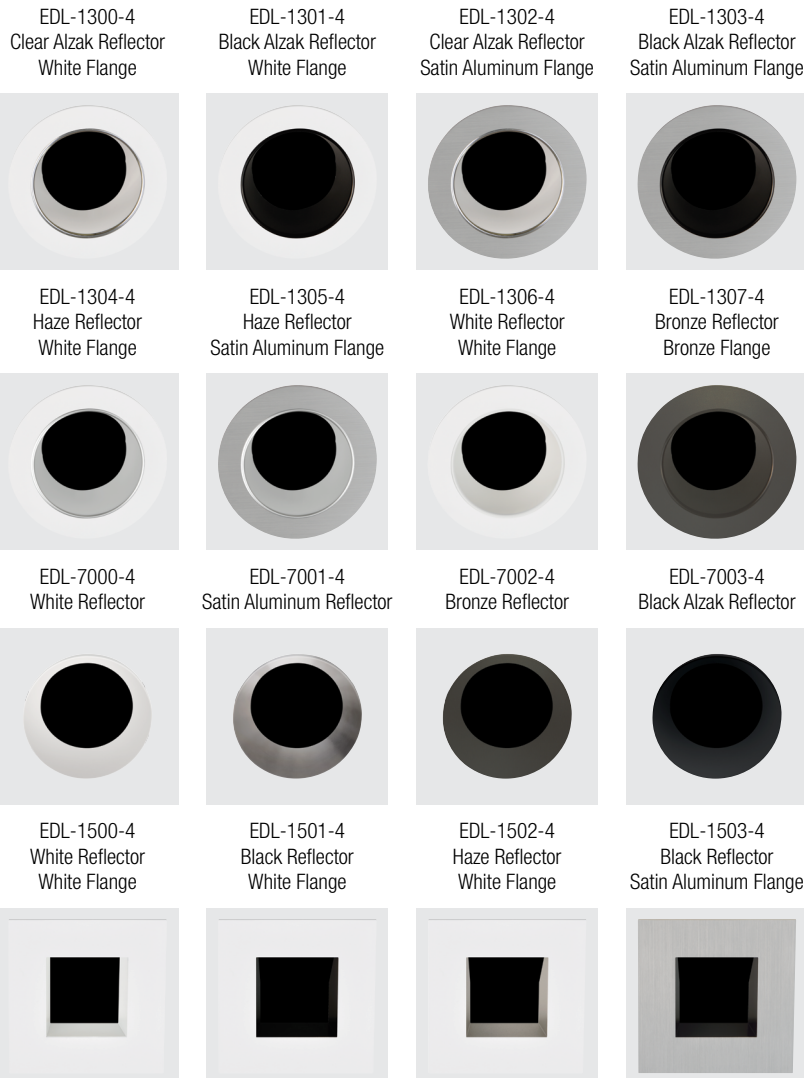
**Note:** Adjustable accent reflector allows full adjustability

### Flush Mount Adapter

**EDL-RD-FMA** (Round Flush Mount Adapter)  
**EDL-SQ-FMA** (Square Flush Mount Adapter)

### Trimless Mud Plate

**EDL-RD-TR-4** (Round Trimless Mud Plate)



Revised 10/24/2022

# 3" Eco-Downlight Open Reflector

## IC Air-Tight Adjustable New Construction Housing

Round or Square

Catalog #:

Type:

Project:

Date:

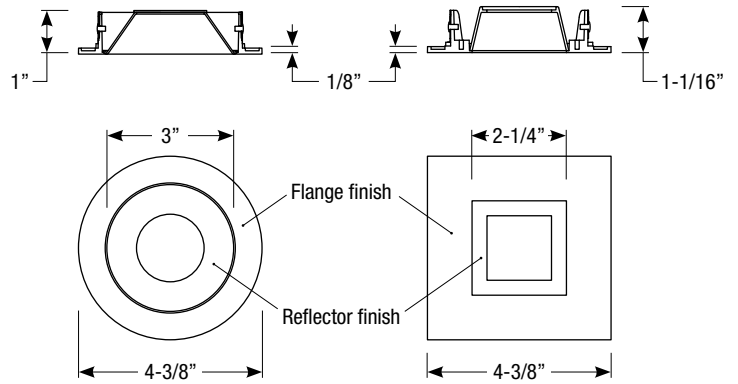
Notes:

### Open Reflector Trim Order Matrix (Example: EDL-1002-4)

Series	Aperture / Finish	Rev
EDL	-1000 (Round / Clear Alzak Reflector / White Flange)	-4
	-1001 (Round / Black Alzak Reflector / White Flange)	
	-1002 (Round / Clear Alzak Reflector / Satin Aluminum Flange)	
	-1003 (Round / Black Alzak Reflector / Satin Aluminum Flange)	
	-1004 (Round / Haze Reflector / White Flange)	
	-1005 (Round / Haze Reflector / Satin Aluminum Flange)	
	-1006 (Round / White Reflector / White Flange)	
	-1007 (Round / Bronze Reflector / Bronze Flange)	
	-5000 <sup>1</sup> (Round / White Reflector / Trimless)	
	-5001 <sup>1</sup> (Round / Satin Aluminum Reflector / Trimless)	
	-5002 <sup>1</sup> (Round / Bronze Reflector / Trimless)	
	-5003 <sup>1</sup> (Round / Black Reflector / Trimless)	
	-2000 (Square / White Reflector / White Flange)	
	-2001 (Square / Black Reflector / White Flange)	
	-2002 (Square / Haze Reflector / White Flange)	
	-2003 (Square / Black Reflector / Satin Aluminum Flange)	
	-2004 (Square / Haze Reflector / Satin Aluminum Flange)	
	-2005 (Square / Bronze Reflector / Bronze Flange)	

1. Requires trimless mud plate, must specify

### Dimensions



**Note:** Open reflector does not allow adjustable mechanism to tilt

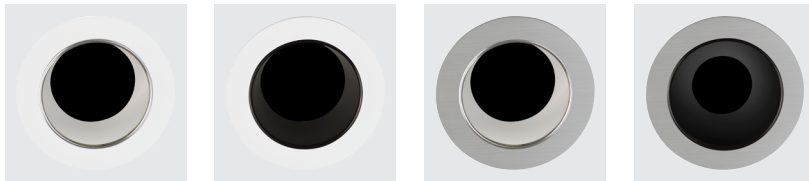
### Flush Mount Adapter

**EDL-RD-FMA** (Round Flush Mount Adapter)  
**EDL-SQ-FMA** (Square Flush Mount Adapter)

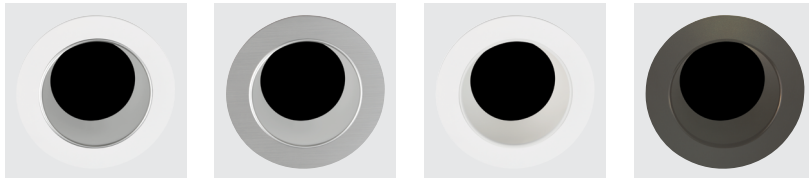
### Trimless Mud Plate

**EDL-RD-TR-4** (Round Trimless Mud Plate)

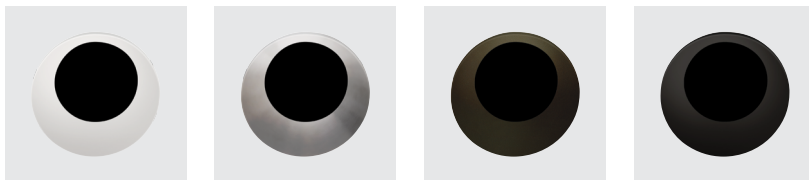
EDL-1000-4 Clear Alzak Reflector White Flange  
 EDL-1001-4 Black Alzak Reflector White Flange  
 EDL-1002-4 Clear Alzak Reflector Satin Aluminum Flange  
 EDL-1003-4 Black Alzak Reflector Satin Aluminum Flange



EDL-1004-4 Haze Reflector White Flange  
 EDL-1005-4 Haze Reflector Satin Aluminum Flange  
 EDL-1006-4 White Reflector White Flange  
 EDL-1007-4 Bronze Reflector Bronze Flange



EDL-5000-4 White Reflector  
 EDL-5001-4 Satin Aluminum Reflector  
 EDL-5002-4 Bronze Reflector  
 EDL-5003-4 Black Alzak Reflector



EDL-2000-4 White Reflector White Flange  
 EDL-2001-4 Black Reflector White Flange  
 EDL-2002-4 Haze Reflector White Flange  
 EDL-2003-4 Black Reflector Satin Aluminum Flange  
 EDL-2004-4 Haze Reflector Satin Aluminum Flange  
 EDL-2005-4 Bronze Reflector Bronze Flange



Revised 10/24/2022

# 3" Eco-Downlight Adjustable Baffle

## IC Air-Tight Adjustable New Construction Housing

Round or Square

Catalog #:

Type:

Project:

Date:

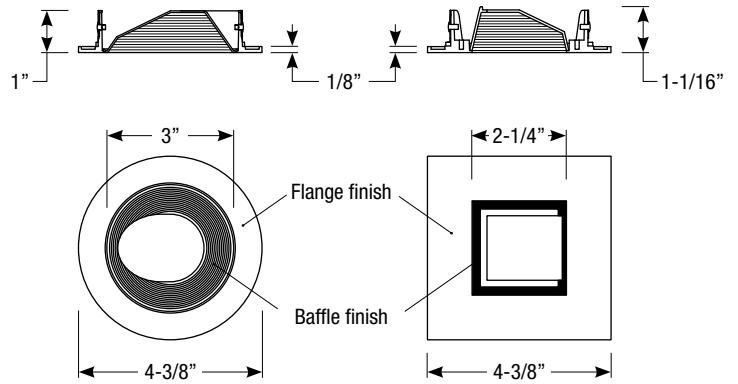
Notes:

### Adjustable Baffle Trim Order Matrix (Example: EDL-1402-4)

Series	Aperture / Finish	Rev
EDL	-1400 (Round / White Baffle / White Flange)	-4
	-1401 (Round / Black Baffle / White Flange)	
	-1402 (Round / Black Baffle / Satin Aluminum Flange)	
	-1403 (Round / Bronze Baffle / Bronze Flange)	
	-7100 <sup>1</sup> (Round / White Baffle / Trimless)	
	-7101 <sup>1</sup> (Round / Satin Aluminum Baffle / Trimless)	
	-7102 <sup>1</sup> (Round / Bronze Baffle / Trimless)	
	-7103 <sup>1</sup> (Round / Black Baffle / Trimless)	
	-1600 (Square / White Baffle / White Flange)	
	-1601 (Square / Black Baffle / White Flange)	
	-1602 (Square / Black Baffle / Satin Aluminum Flange)	
	-1603 (Square / Bronze Baffle / Bronze Flange)	

1. Requires trimless mud plate, must specify

### Dimensions



### Flush Mount Adapter

EDL-RD-FMA (Round Flush Mount Adapter)  
EDL-SQ-FMA (Square Flush Mount Adapter)

### Trimless Mud Plate

EDL-RD-TR-4 (Round Trimless Mud Plate)

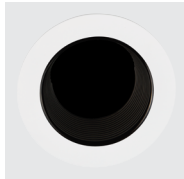
**Note:** Adjustable baffle allows full adjustability

### Trim Finishes

EDL-1400-4  
White Baffle  
White Flange



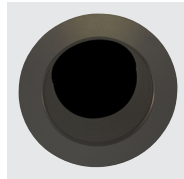
EDL-1401-4  
Black Baffle  
White Flange



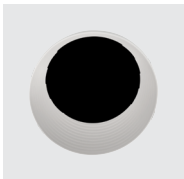
EDL-1402-4  
Black Baffle  
Satin Aluminum Flange



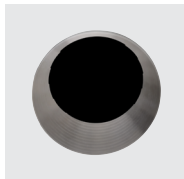
EDL-1403-4  
Bronze Baffle  
Bronze Flange



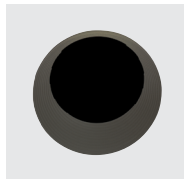
EDL-7100-4  
White Baffle



EDL-7101-4  
Satin Aluminum Baffle



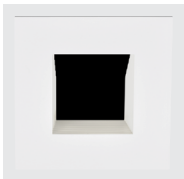
EDL-7102-4  
Bronze Baffle



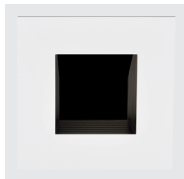
EDL-7103-4  
Black Baffle



EDL-1600-4  
White Baffle  
White Flange



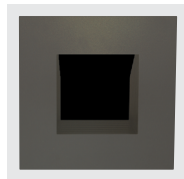
EDL-1601-4  
Black Baffle  
White Flange



EDL-1602-4  
Black Baffle  
Satin Aluminum Flange



EDL-1603-4  
Bronze Baffle  
Bronze Flange



Revised 10/24/2022

# 3" Eco-Downlight Baffle Downlight

## IC Air-Tight Adjustable New Construction Housing

Round or Square

Catalog #:

Type:

Project:

Date:

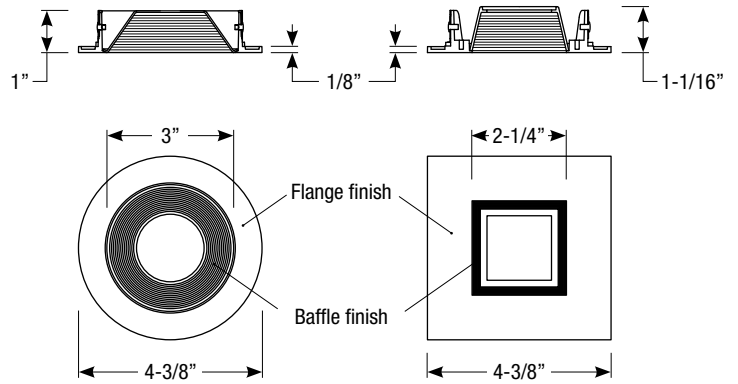
Notes:

### Baffle Downlight Trim Order Matrix (Example: EDL-1102-4)

Series	Aperture / Finish	Rev
EDL	-1100 (Round / White Baffle / White Flange)	-4
	-1101 (Round / Black Baffle / White Flange)	
	-1102 (Round / Black Baffle / Satin Aluminum Flange)	
	-1103 (Round / Bronze Baffle / Bronze Flange)	
	-5100 <sup>1</sup> (Round / White Baffle / Trimless)	
	-5101 <sup>1</sup> (Round / Satin Aluminum Baffle / Trimless)	
	-5102 <sup>1</sup> (Round / Bronze Baffle / Trimless)	
	-5103 <sup>1</sup> (Round / Black Baffle / Trimless)	
	-2100 (Square / White Baffle / White Flange)	
	-2101 (Square / Black Baffle / White Flange)	
	-2102 (Square / Black Baffle / Satin Aluminum Flange)	
	-2103 (Square / Bronze Baffle / Bronze Flange)	

1. Requires trimless mud plate, must specify

### Dimensions



**Note:** Baffle downlight does not allow adjustable mechanism to tilt

### Flush Mount Adapter

EDL-RD-FMA (Round Flush Mount Adapter)  
EDL-SQ-FMA (Square Flush Mount Adapter)

### Trimless Mud Plate

EDL-RD-TR-4 (Round Trimless Mud Plate)

### Trim Finishes

EDL-1100-4  
White Baffle  
White Flange



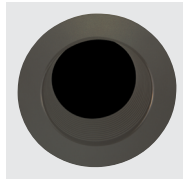
EDL-1101-4  
Black Baffle  
White Flange



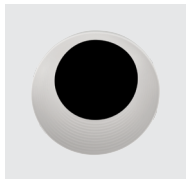
EDL-1102-4  
Black Baffle  
Satin Aluminum Flange



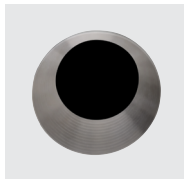
EDL-1103-4  
Bronze Baffle  
Bronze Flange



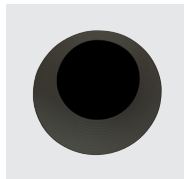
EDL-5100-4  
White Baffle



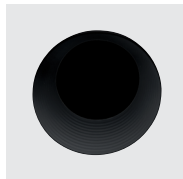
EDL-5101-4  
Satin Aluminum Baffle



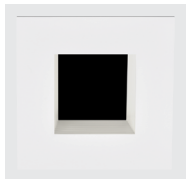
EDL-5102-4  
Bronze Baffle



EDL-5103-4  
Black Baffle



EDL-2100-4  
White Baffle  
White Flange



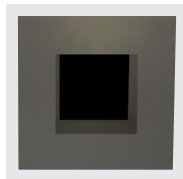
EDL-2101-4  
Black Baffle  
White Flange



EDL-2102-4  
Black Baffle  
Satin Aluminum Flange



EDL-2103-4  
Bronze Baffle  
Bronze Flange



Revised 10/24/2022

# 3" Eco-Downlight Shower / Adjustable Shower

## IC Air-Tight Adjustable New Construction Housing

Round or Square

Catalog #:

Type:

Project:

Date:

Notes:

### Shower Trim Order Matrix (Example: EDL-1201-4)

Series	Aperture / Finish	Rev
EDL	-1200 (Round Shower Trim / White Flange)	-4
	-1201 (Round Shower Trim / Satin Aluminum Flange)	
	-2200 (Square Shower Trim / White Flange)	
	-2201 (Square Shower Trim / Satin Aluminum Flange)	

### Flush Mount Adapter

EDL-RD-FMA (Round Flush Mount Adapter)  
EDL-SQ-FMA (Square Flush Mount Adapter)

EDL-1200-4  
White Flange



EDL-1201-4  
Satin Aluminum Flange



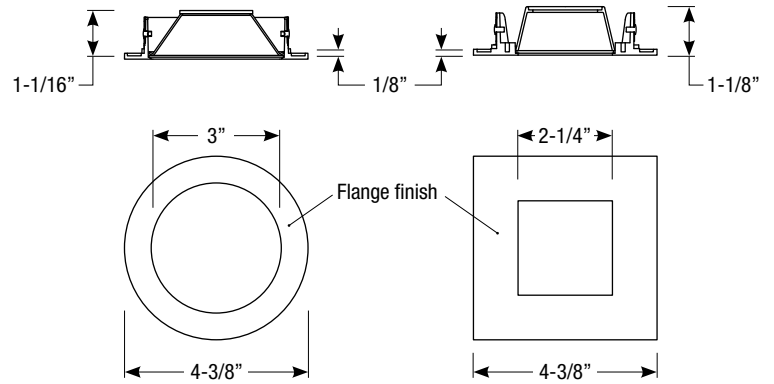
EDL-2200-4  
White Flange



EDL-2201-4  
Satin Aluminum Flange



### Dimensions



**Note:** Shower trim does not allow adjustable mechanism to tilt

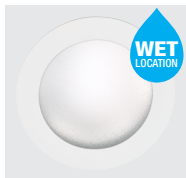
### Adjustable Shower Trim Order Matrix (Example: EDL-3000-4)

Series	Aperture / Finish	Rev
EDL	-3000 (Round Shower Trim / White Flange)	-4
	-3001 (Round Shower Trim / Satin Aluminum Flange)	
	-3002 (Round Shower Trim / Bronze Flange)	
	-4000 (Square Shower Trim / White Flange)	
	-4001 (Square Shower Trim / Satin Aluminum Flange)	
	-4002 (Square Shower Trim / Bronze Flange)	

### Flush Mount Adapter

EDL-RD-FMA (Round Flush Mount Adapter)  
EDL-SQ-FMA (Square Flush Mount Adapter)

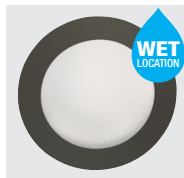
EDL-3000-4  
White Flange



EDL-3001-4  
Satin Aluminum Flange



EDL-3002-4  
Bronze Flange



EDL-4000-4  
White Flange



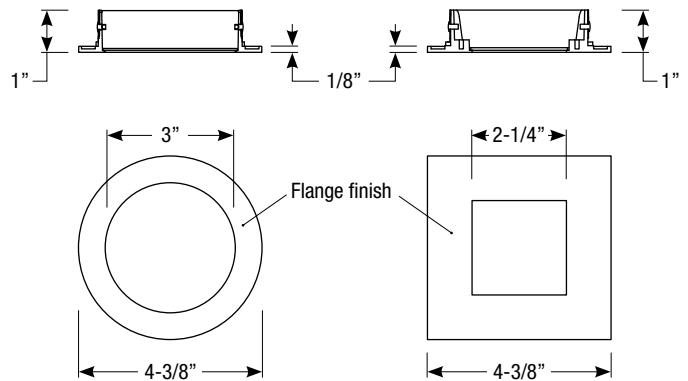
EDL-4001-4  
Satin Aluminum Flange



EDL-4002-4  
Bronze Flange



### Dimensions



**Note:** Adjustable shower trim allows full adjustability

Revised 10/24/2022

# 3" Eco-Downlight Wall Wash

## IC Air-Tight Adjustable New Construction Housing

Round or Square

Catalog #:

Type:

Project:

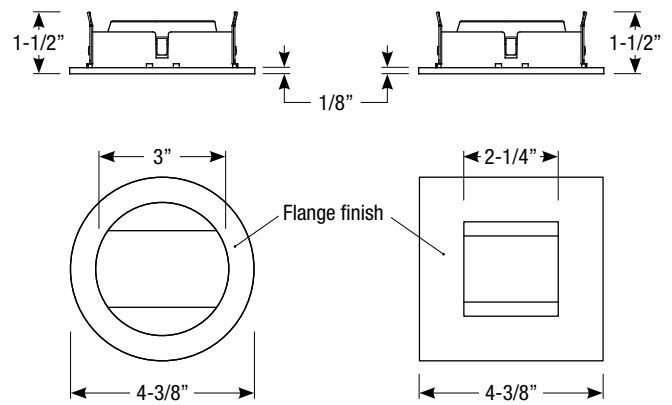
Date:

Notes:

### Wall Wash Order Matrix (Example: EDL-1702-4)

Series	Aperture / Finish	Rev
EDL	-1700 (Round / Single Wall Wash / White Flange)	-4
	-1701 (Round / Single Wall Wash / Satin Aluminum Flange)	
	-1702 (Round / Single Wall Wash / Bronze Flange)	
	-1800 (Round / Double Wall Wash / White Flange)	
	-1801 (Round / Double Wall Wash / Satin Aluminum Flange)	
	-1802 (Round / Double Wall Wash / Bronze Flange)	
	-2300 (Square / Single Wall Wash / White Flange)	
	-2301 (Square / Single Wall Wash / Satin Aluminum Flange)	
	-2302 (Square / Single Wall Wash / Bronze Flange)	
	-2400 (Square / Double Wall Wash / White Flange)	
	-2401 (Square / Double Wall Wash / Satin Aluminum Flange)	
	-2402 (Square / Double Wall Wash / Bronze Flange)	

### Dimensions

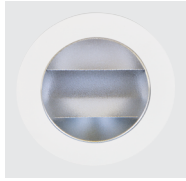


### Flush Mount Adapter

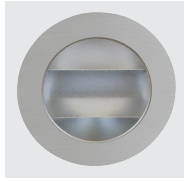
- EDL-RD-FMA (Round Flush Mount Adapter)
- EDL-SQ-FMA (Square Flush Mount Adapter)

### Trim Finishes

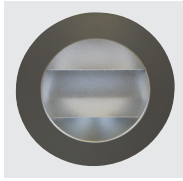
EDL-1700-4  
Single Wall Wash  
White Flange



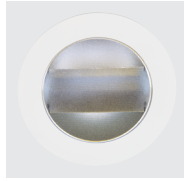
EDL-1701-4  
Single Wall Wash  
Satin Aluminum Flange



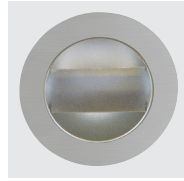
EDL-1702-4  
Single Wall Wash  
Bronze Flange



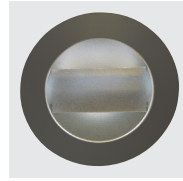
EDL-1800-4  
Double Wall Wash  
White Flange



EDL-1801-4  
Double Wall Wash  
Satin Aluminum Flange



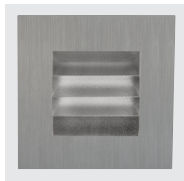
EDL-1802-4  
Double Wall Wash  
Bronze Flange



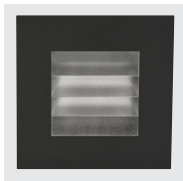
EDL-2300-4  
Single Wall Wash  
White Flange



EDL-2301-4  
Single Wall Wash  
Satin Aluminum Flange



EDL-2302-4  
Single Wall Wash  
Bronze Flange



EDL-2400-4  
Double Wall Wash  
White Flange



EDL-2401-4  
Double Wall Wash  
Satin Aluminum Flange



EDL-2402-4  
Double Wall Wash  
Bronze Flange



Revised 10/24/2022